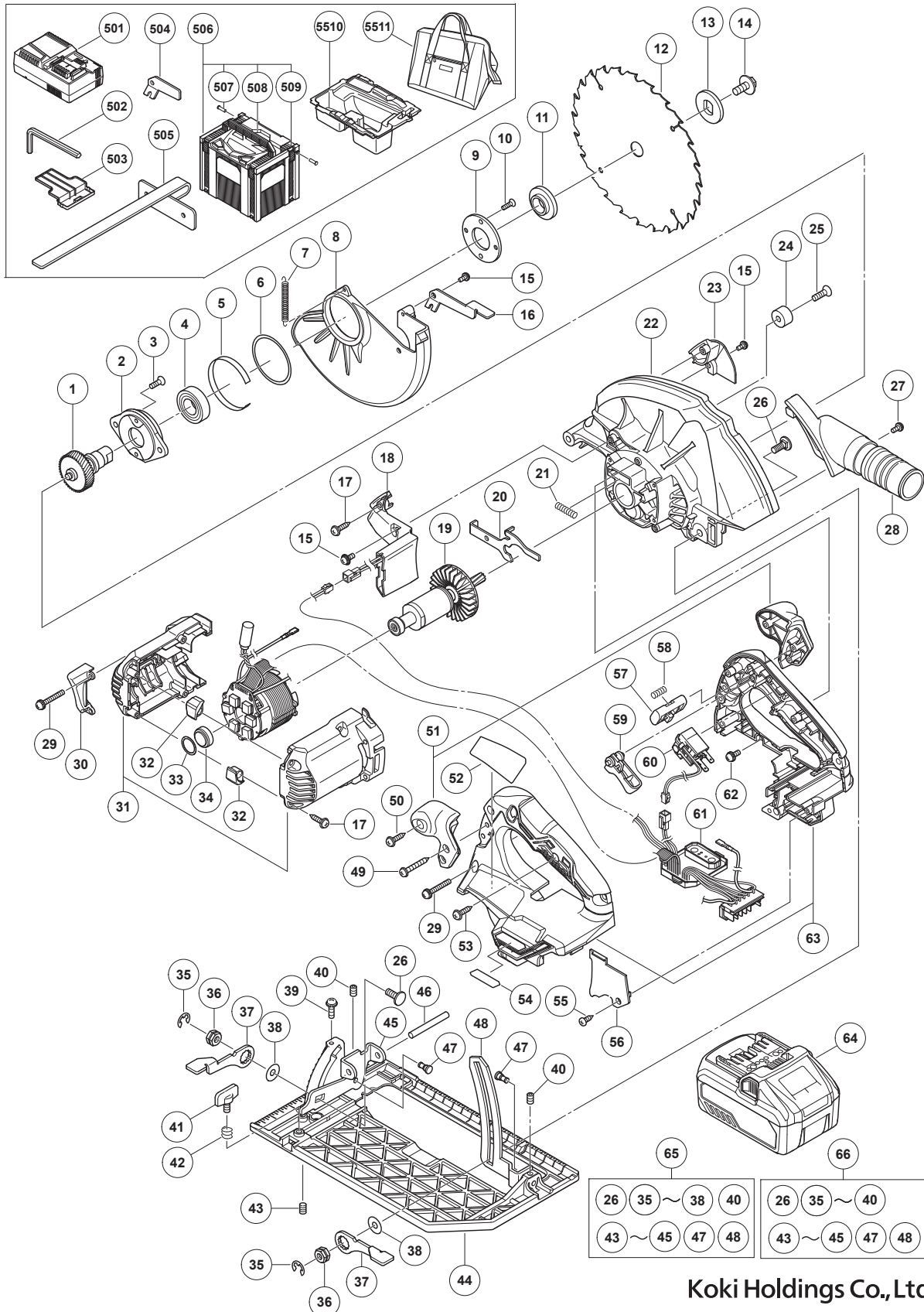


## ELECTRIC TOOL PARTS LIST

### ■ CORDLESS CIRCULAR SAW Model C 3607DA

2018 · 5 · 25  
(E1)



**PARTS**

C 3607DA

| ITEM NO. | CODE NO. | DESCRIPTION                               | NO. USED | REMARKS                              |
|----------|----------|---|----------|--------------------------------------|
| 1        | 373643   | SPINDLE GEAR                              | 1        |                                      |
| 2        | 373810   | BEARING HOLDER                            | 1        |                                      |
| 3        | 992013   | SEAL LOCK FLAT HD. SCREW M5 X 14          | 2        |                                      |
| 4        | 6003VV   | BALL BEARING 6003VVCMP2L                  | 1        |                                      |
| 5        | 373811   | BUSH                                      | 1        |                                      |
| 6        | 370591   | WASHER                                    | 1        |                                      |
| 7        | 373011   | RETURN SPRING                             | 1        |                                      |
| 8        | 373812   | LOWER GUARD                               | 1        |                                      |
| 9        | 302435   | BEARING COVER                             | 1        |                                      |
| 10       | 990430   | SEAL LOCK FLAT HD. SCREW M4 X 10          | 2        |                                      |
| * 11     | 321639   | WASHER (A)                                | 1        |                                      |
| * 11     | 324597   | WASHER (A)                                | 1        | FOR EUROPE,GBR                       |
| * 11     | 320970   | WASHER (A)                                | 1        | FOR USA,CAN                          |
| * 12     | 302411   | TCT SAW BLADE 185MM-D20 HOLE-NT18         | 1        |                                      |
| * 12     | 302412   | TCT SAW BLADE 185MM-D30 HOLE-NT18         | 1        | FOR EUROPE,GBR                       |
| * 12     | 115429M  | TCT SAW BLADE 185MM-D16 HOLE-NT24         | 1        | FOR USA,CAN                          |
| * 13     | 333555   | WASHER (B)                                | 1        |                                      |
| * 13     | 333556   | WASHER (B)                                | 1        | FOR EUROPE,GBR                       |
| 14       | 338917   | HEX FLANGE BOLT                           | 1        |                                      |
| 15       | 935196   | MACHINE SCREW (W/WASHERS) M4 X 12 (BLACK) | 3        |                                      |
| 16       | 328045   | LEVER                                     | 1        |                                      |
| 17       | 301653   | TAPPING SCREW (W/FLANGE) D4 X 20 (BLACK)  | 5        |                                      |
| 18       | 373644   | LED                                       | 1        |                                      |
| 19       | 361087   | ROTOR                                     | 1        |                                      |
| 20       | 338918   | LOCK LEVER                                | 1        |                                      |
| 21       | 334225   | SPRING                                    | 1        |                                      |
| * 22     | 373641   | GEAR COVER                                | 1        |                                      |
| * 22     | 373642M  | GEAR COVER                                | 1        | FOR USA,CAN                          |
| 23       | 373814   | FLOW GUIDE (A)                            | 1        |                                      |
| 24       | 337080   | CUSHION                                   | 1        |                                      |
| 25       | 949794   | FLAT HD. SCREW M6 X 20 (10 PCS.)          | 1        |                                      |
| 26       | 372747   | BOLT (SQUARE) M6                          | 2        |                                      |
| * 27     | 935196   | MACHINE SCREW (W/WASHERS) M4 X 12 (BLACK) | 1        | FOR EUROPE,GBR,AUS,NZL               |
| * 28     | 372757   | DUST COLLECTOR SET                        | 1        | INCLUD.27,504 FOR EUROPE,GBR,AUS,NZL |
| 29       | 334141   | MACHINE SCREW (W/WASHERS) M4 X 35 (BLACK) | 6        |                                      |
| 30       | 338919   | FLOW GUIDE                                | 1        |                                      |
| 31       | 338902   | HOUSING SET                               | 1        |                                      |
| 32       | 336554   | CUSHION                                   | 2        |                                      |
| 33       | 372734   | WASHER (A)                                | 1        |                                      |
| 34       | 338928   | RUBBER BUSHING                            | 1        |                                      |
| 35       | 670514   | RETAINING RING (E-TYPE) FOR D10 SHAFT     | 2        |                                      |
| 36       | 372746   | LOCK NUT                                  | 2        |                                      |
| 37       | 372745   | LEVER                                     | 2        |                                      |
| 38       | 320975   | WASHER                                    | 2        |                                      |
| * 39     | 373010   | SEAL LOCK SCREW (W/SP. WASHER) M4 X 14    | 1        | FOR EUROPE,GBR                       |
| 40       | 319541   | SEAL LOCK HEX. SOCKET SET SCREW M5 X 6    | 2        |                                      |
| * 41     | 301806   | WING BOLT M6 X 15                         | 1        | FOR EUROPE,GBR,AUS,NZL               |
| * 42     | 947859   | LOCK SPRING                               | 1        | FOR EUROPE,GBR,AUS,NZL               |
| 43       | 373815   | SEAL LOCK HEX. SOCKET SET SCREW M6 X 10   | 1        |                                      |
| * 44     | 372741   | BASE                                      | 1        |                                      |



