

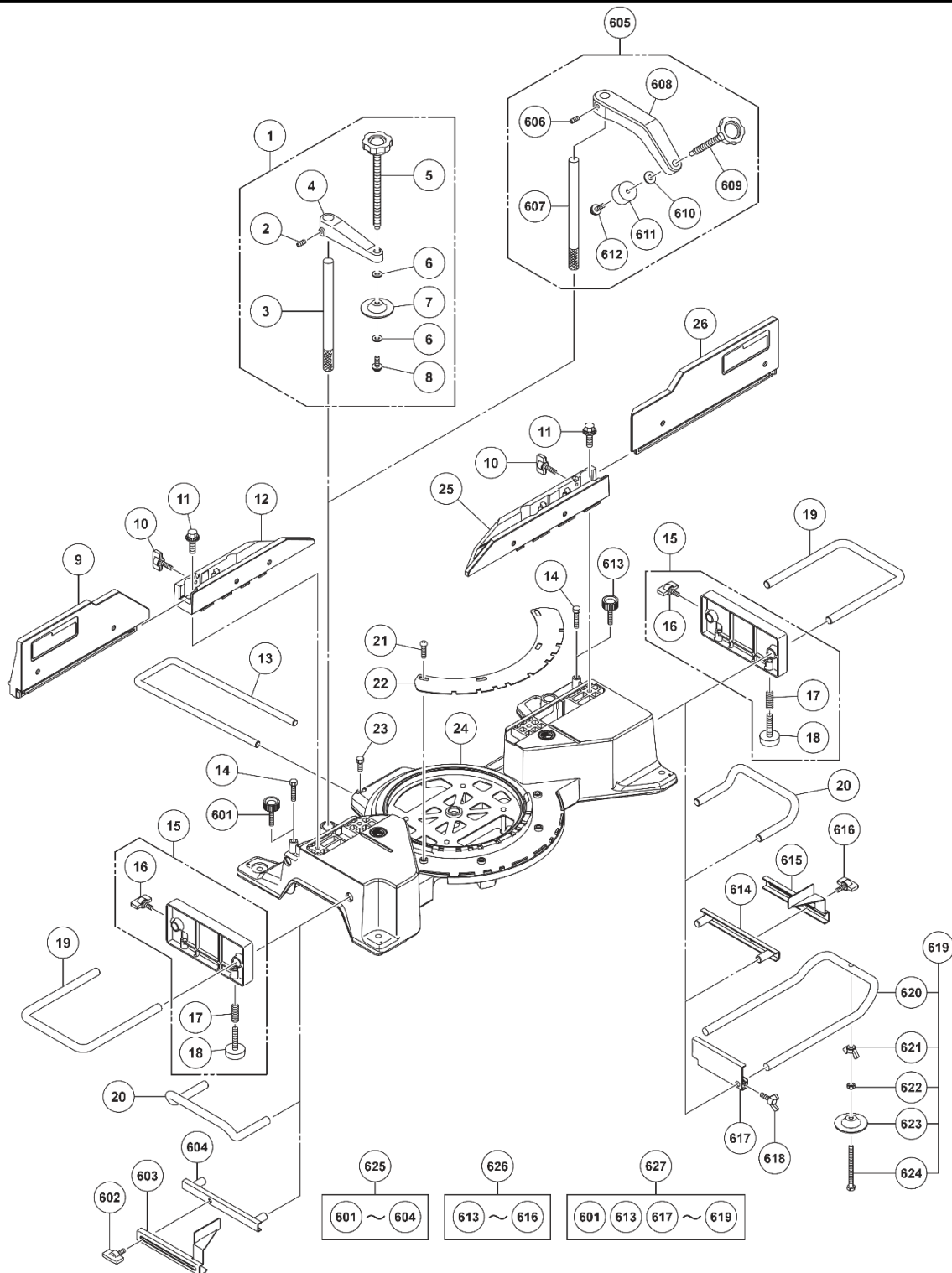
ELECTRIC TOOL PARTS LIST

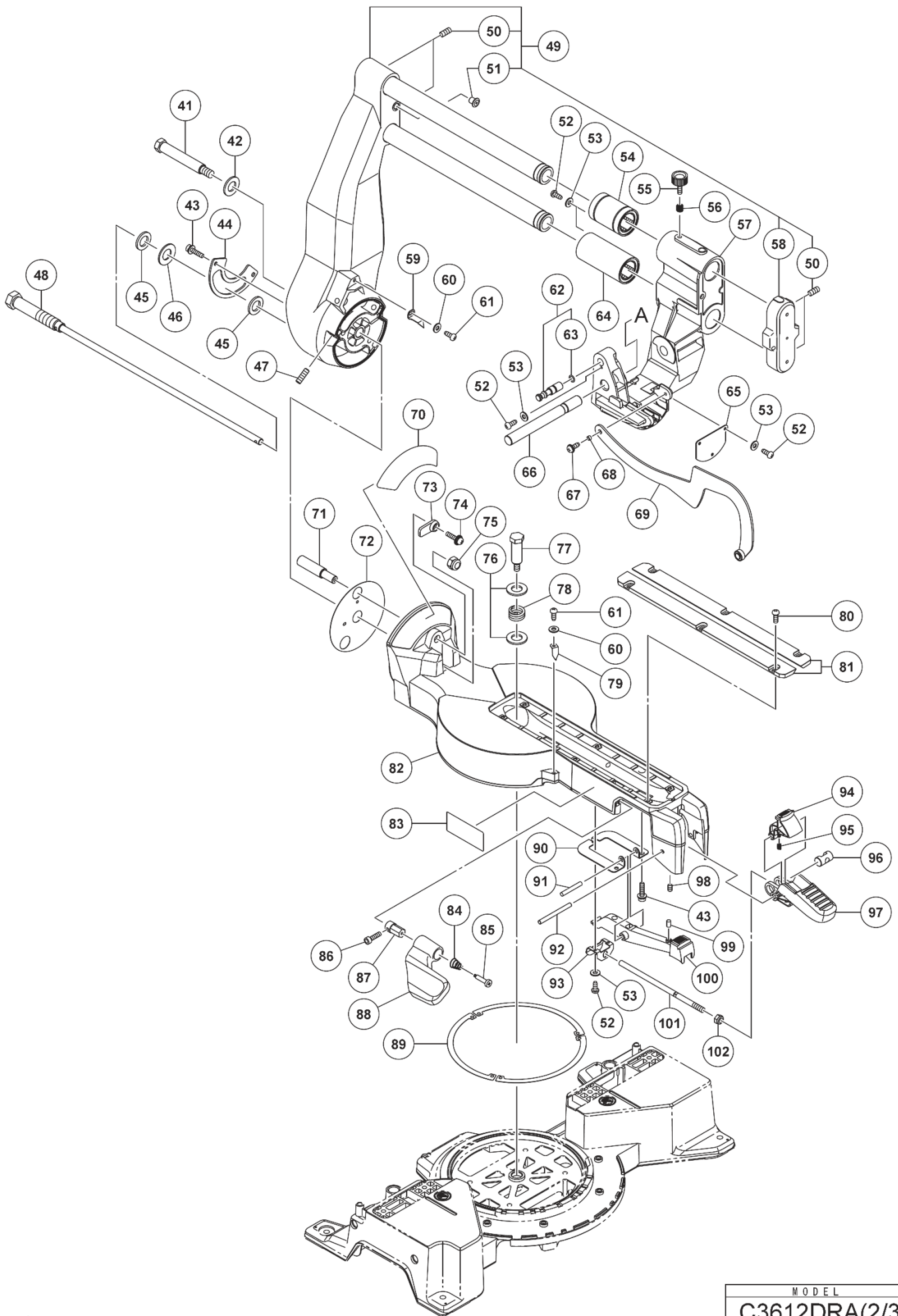
■ SLIDING COMPOUND MITER SAW

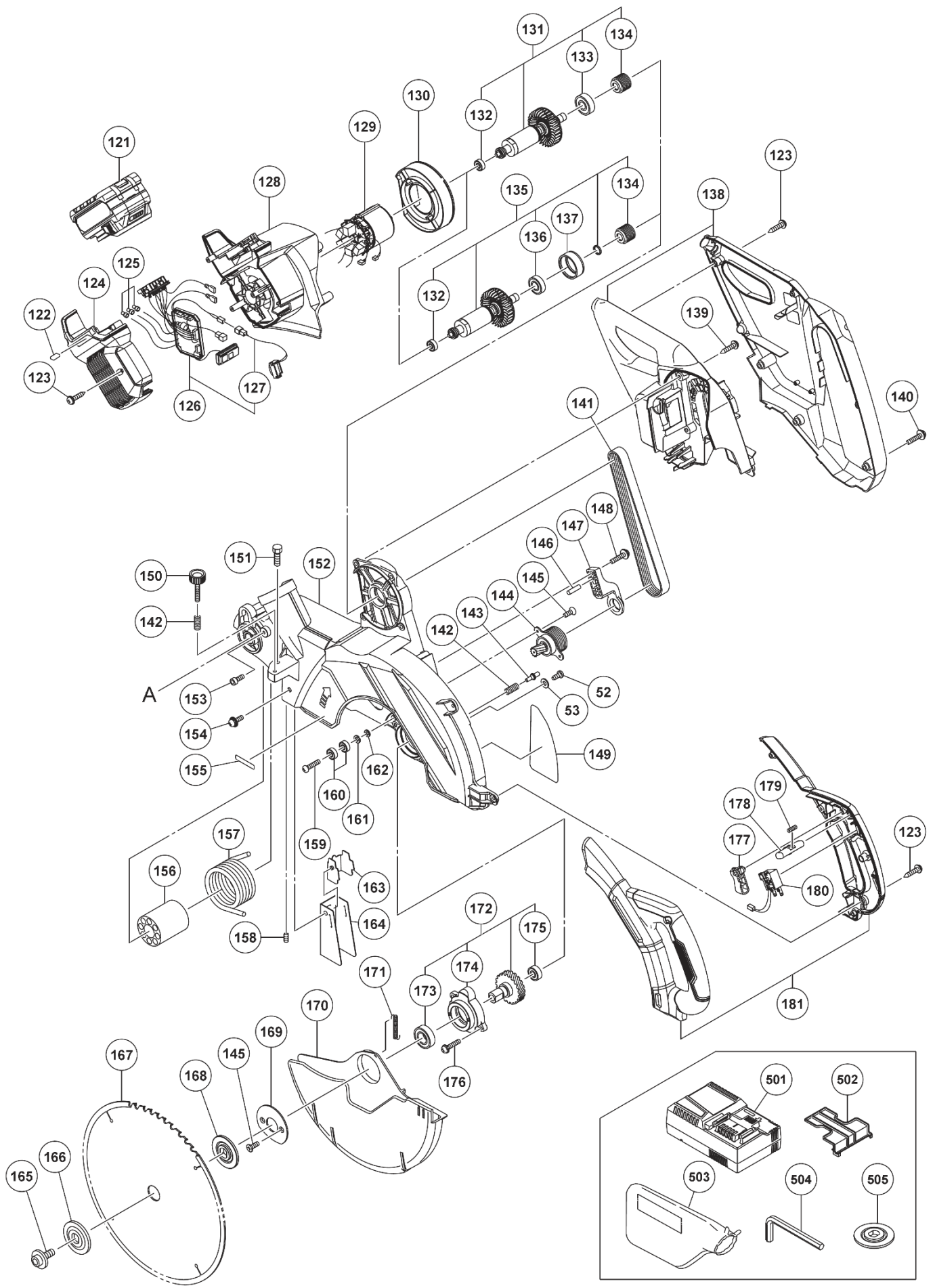
2024 • 02 • 22

Model C 3612DRA

(E1)







PARTS

C3612DRA

ITEM NO.	CODE NO.	DESCRIPTION	NO. USED	REMARKS
1	339624	WISE ASS'Y	1	INCLUD.2-8
2	307956	SEAL LOCK HEX. SOCKET SET SCREW M6X10	1	
3	339626	WISE SHAFT	1	
4		SCREW HOLDER	1	
5	339625	KNOB BOLT M10	1	
6	996722	WASHER	2	
7	322047	WISE PLATE	1	
8	996247	MACHINE SCREW (W/WASHERS) M5X12 (BLACK)	1	
9	380821	SUB FENCE (B)	1	
10	322959	WING BOLT M6X22	2	
11	307221	BOLT (W/WASHERS) M8X35 (BLACK)	4	
12	380819	FENCE (B)	1	
13	376730	HOLDER	1	
**14	375142	BOLT M6X30	2	FOR EUROPE.GBR.AUS.NZL.U.S.A.CAN
**20	380332	SIDE HOLDER	2	FOR U.S.A.CAN
21	380805	SPECIAL SCREW M6	4	
22	380803	MITER SCALE	1	
23	949610	BOLT M6X10 (10 PCS.)	1	
24	380806	BASE	1	
25	380818	FENCE (A)	1	
26	380820	SUB FENCE (A)	1	
41	380850	SPECIAL BOLT M12	1	
42	955818	BOLT WASHER M16	1	
43	307354	HEX. SOCKET HD. BOLT (W/WASHERS) M6X16	4	
44	380847	BRAKE PLATE	1	
45	380848	WASHER D18	2	
46	380849	BELLEVILLE SPRING D18	1	
47	324612	NYLOCK HEX. SOCKET SET SCREW M8X16	3	
48	380846	SPECIAL BOLT SET M18	1	
49	380826	HOLDER (A) ASS'Y	1	INCLUD.50.51.58
50	961554	HEX. SOCKET SET SCREW M8X10	4	
51	323606	BASE RUBBER	1	
52	949215	MACHINE SCREW M4X8 (10 PCS.)	9	
53	949429	BOLT WASHER M4 (10 PCS.)	9	
54	378901	BALL BUSHING	1	
55	324418	KNOB BOLT M6X25	1	
56	947859	LOCK SPRING	1	
57	380828	HINGE (A)	1	
58	334458	SUPPORT	1	
59	380852	INDICATOR	1	
60	949429	BOLT WASHER M4 (10 PCS.)	2	
61	949217	MACHINE SCREW M4X12 (10 PCS.)	2	
62	324419	STOPPER PIN ASS'Y	1	INCLUD.63
63	872645	O-RING (P-9)	1	
64	324414	BALL BUSHING	1	
65	324058	HINGE COVER	1	
66	324387	HINGE SHAFT (A)	1	
67	949237	MACHINE SCREW M5X12 (10 PCS.)	1	
68	380842	SPACER	1	
69	380841	LINK	1	
70	380816	BEVEL SCALE	1	
71	324420	SET PIN (A)	1	
72	380851	LINER	1	
73	324421	GRIP	1	
74	307294	MACHINE SCREW (W/WASHERS) M5X16 (BLACK)	1	
75	371741	NYLON NUT M12	1	
76	955818	BOLT WASHER M16	2	
77	324401	SHAFT (B)	1	
78	324402	SPRING (B)	1	
79	318927	INDICATOR (A)	1	
80	380824	MACHINE SCREW M5X12 (BLACK)	6	
81	380817	TABLE INSERT	2	
82	380808	TURN TABLE	1	
83		OPERATION LABEL	1	

PARTS

C3612DRA

84	339620	CLUTCH SPRING	1	
85	339621	CLUTCH SCREW	1	
86	949821	HEX. SOCKET HD. BOLT M5X16 (10 PCS.)	1	
87	380845	JOINT (A)	1	
88	380844	BEVEL LOCK HANDLE	1	
89	324400	LINER	3	
90	380810	SPRING PLATE	1	
91	983564	PIN D6	1	
92	321339	LEVER SHAFT	1	
93	380809	SPACER (A)	1	
94	380813	DETENT LEVER	1	
95	381530	SPRING	1	
96	380814	LOCK SHAFT (A)	1	
97	380812	MITER LOCK HANDLE	1	
98	319541	SEAL LOCK HEX. SOCKET SET SCREW M5X6	1	
99	946362	BEARING LOCK	1	
100	380811	POSITIVE STOP LEVER	1	
101	380815	LOCK SHAFT (B)	1	
102	371739	NYLON NUT M8	1	
**121	372121M	BATTERY BSL 36B18 (USA.CAN)	1	INCLUD.502
122	379350	MV LABEL (B) (2)	1	
123	301653	TAPPING SCREW (W/FLANGE) D4X20 (BLACK)	12	
124	380857	TAIL COVER	1	
125	959141	CONNECTOR 50092 (10 PCS.)	3	
126	380853	CONTROLLER ASS'Y (A)	1	INCLUD.127
127	381531	LED	1	
128	380856	HOUSING	1	
129	341159	STATOR SENSER PCB SET	1	
130	380855	FAN GUIDE	1	
**131	361219	ROTOR ASS'Y	1	INCLUD.132-134 FOR.USA.CAN
132	606ZZM	BALL BEARING 606VV	1	
**133	6201VV	BALL BEARING 6201VV	1	FOR CHN.TPE.USA.CAN
134	378182	PULLEY (A)	1	
**138	380836M	HANDLE (L).(R) SET	1	FOR USA.CAN
139	305558	TAPPING SCREW (W/FLANGE) D5X25 (BLACK)	4	
140	880734	MACHINE SCREW (W/WASHERS) M5X25 (BLACK)	4	
141	324427	BELT (200H10) 16X508	1	
142	988821	LOCK SPRING	2	
143	307732	STOPPER PIN	1	
144	339641	PINION SET	1	
145	949322	FLAT HD. SCREW M4X10 (10 PCS.)	4	
146	983545	NEEDLE ROLLER	2	
147	325259	BEARING HOLDER (B)	1	
148	995096	MACHINE SCREW (W/WASHERS) M5X20 (BLACK)	2	
149		NAME PLATE	1	
150	961468	KNOB BOLT M6X37	1	
151	303409	NYLOCK BOLT M8X25	1	
**152	381285M	GEAR CASE	1	FOR USA.CAN
153	877839	SEAL LOCK HEX. SOCKET HD. BOLT M5X10	1	
154	935196	MACHINE SCREW (W/WASHERS) M4X12 (BLACK)	1	
156	324388	SLEEVE	1	
157	310898	SPRING	1	
158	307956	SEAL LOCK HEX. SOCKET SET SCREW M6X10	1	
159	949260	MACHINE SCREW M6X25 (10 PCS.)	1	
160	606ZZM	BALL BEARING 606VV	2	
161	949455	SPRING WASHER M6 (10 PCS.)	1	
162	949425	WASHER M6 (10 PCS.)	1	
163	339648	GUIDE HOLDER	1	
164	339649	DUST GUIDE	1	
165	380840	LEFT HEX. SOCKET BOLT M10	1	
**166	339652	WASHER (B)	1	
**167	380328M	TCT SAW BLADE 305MM-D25.4 HOLE-NT60	1	FOR USA.CAN
**168	324452	WASHER (A)	1	
169	307731	COVER	1	
170	380843	LOWER GUARD	1	
171	375141	RETURN SPRING (B)	1	
172	324438	SPINDLE ASS'Y	1	INCLUD.173-175

STANDARD ACCESSORIES

C3612DRA

ITEM NO.	CODE NO.	DESCRIPTION	NO. USED	REMARKS
501		CHARGER (MODEL UC 18YSL3)	1	
502	329897	BATTERY COVER	1	
**503	322955M	DUST BAG (BLACK)	1	FOR USA.CAN
504	955857	HEX. BAR WRENCH 8MM	1	

OPTIONAL ACCESSORIES

ITEM NO.	CODE NO.	DESCRIPTION	NO. USED	REMARKS
601	960017	KNOB BOLT M6X32	1	
602	301806	WING BOLT M6X15	1	
603		CROWN MOLDING STOPPER (L)	1	
604	321390	CROWN MOLDING STOPPER HOLDER	1	
605	339660	WISE (B) ASS'Y	1	INCLUD.606-612
606	307956	SEAL LOCK HEX. SOCKET SET SCREW M6X10	1	
607	339626	WISE SHAFT	1	
608	339661	SCREW HOLDER (B)	1	
609	339662	KNOB BOLT M10	1	
610	322677	WASHER (H)	1	
611	964851	BASE RUBBER	1	
612	304043	MACHINE SCREW (W/WASHERS) M4X10 (BLACK)	1	
613	960017	KNOB BOLT M6X32	1	
614	321390	CROWN MOLDING STOPPER HOLDER	1	
615		CROWN MOLDING STOPPER ®	1	
616	301806	WING BOLT M6X15	1	
617	974561	STOPPER	1	
618	949404	WING BOLT M6X20 (10 PCS.)	1	
619	324464	HOLDER ASS'Y	2	INCLUD.620-624
620	321549	HOLDER	2	
621	949313	WING NUT M6 (10 PCS.)	2	
622	949556	NUT M6 (10 PCS.)	2	
623	322047	WISE PLATE	2	
624	324412	HIGH TENSION BOLT M6X95	2	
625	339730	CROWN MOLDING STOPPER (L) ASS'Y	1	INCLUD.601-604
626	339731	CROWN MOLDING STOPPER (R) ASS'Y	1	INCLUD.613-616
627	324369	EXTENSION HOLDER AND STOPPER	1	INCLUD.601.613.617-619
628	381587	HOOK ASS'Y	1	