

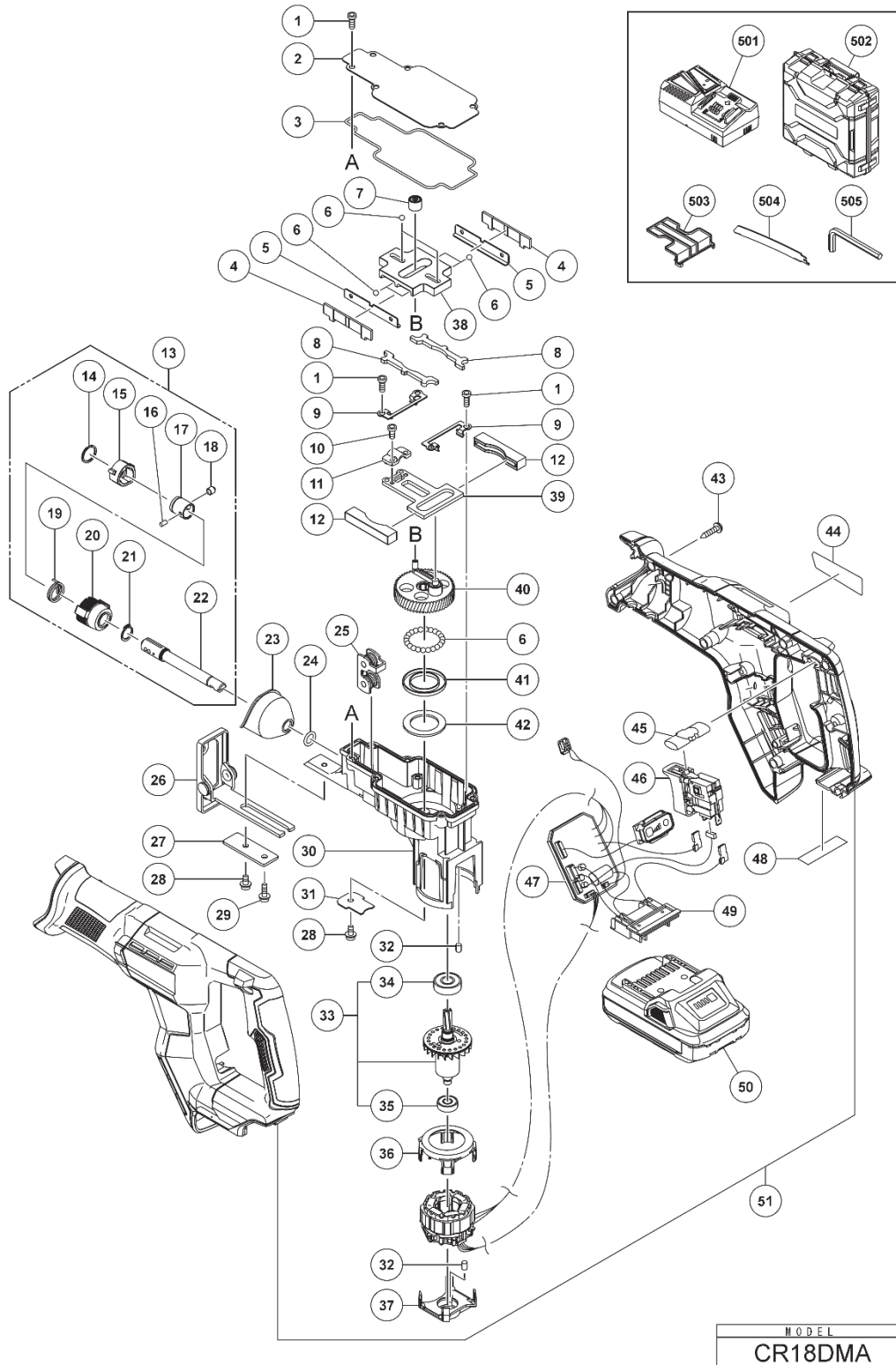
ELECTRIC TOOL PARTS LIST

■ CORDLESS RECIPROCATING SAW

2022 • 12 • 21

Model CR 18DMA

(E1)



PARTS

CR18DMA

ITEM NO.	CODE NO.	DESCRIPTION	NO. USED	REMARKS
1	371015	HEX. SOCKET BOLT M5	10	
2	379235	UPPER COVER	1	
3	379234	PACKING	1	
4	379230	WEIGHT DAMPER	2	
5	379231	WEIGHT GUIDE	2	
6	959149	STEEL BALL D4.76 (10 PCS.)	28	
7	379233	SLEEVE (B)	1	
8	379229	SPACER	2	
9	379221	METAL PLATE	2	
10	370640	LOW HEAD HEX. SOCKET BOLT M4X8	2	
11	379228	PLUNGER SLEEVE	1	
12	379219	METAL	2	
13	379224	PLUNGER ASS'Y (A)	1	INCLUD.14-22
14	371368	SPIRAL RETAINING RING D16	1	
15	379227	BLADE HOLDER	1	
16	371380	PIN	1	
17	371381	SLEEVE	1	
18	374951	HOLDER PIN (A)	1	
19	371379	BLADE SPRING	1	
20	379226	BLADE HOLDER COVER	1	
21	371367	RETAINING RING FOR D13 SHAFT	1	
22	379225	PLUNGER SET	1	
23	379223	DUST GUARD	1	
24	379214	O-RING (P-10A)	1	
25	379222	ROLLER HOUSING SET	1	
26	379215	BASE	1	
27	371383	BASE PLATE	1	
28	379768	HEX. SOCKET HD. BOLT (W/FLANGE) M5X8	2	
29	996399	HEX. SOCKET HD. BOLT (W/FLANGE) M5X12	1	
30	379213	GEAR COVER	1	
31	379757	BEARING PLATE	1	
32	931701	BEARING LOCK	2	
33	361193	ROTOR ASS'Y	1	INCLUD.34.35
34	6000VV	BALL BEARING 6000VVCMP52L	1	
35	607VVC	BALL BEARING 607VV	1	
36	379211	FAN GUIDE	1	
37	379212	BB HOLDER	1	
38	379232	COUNTER WEIGHT	1	
39	379220	CONNECTOR	1	
40	379218	GEAR	1	
41	379217	THRUST WASHER	1	
42	379216	DAMPER	1	
43	339250	TAPPING SCREW (W/FLANGE) D4X20	9	
44		NAME PLATE	1	
45	319760	PUSHING BUTTON	1	
46	378777	SPEED CONTROL SWITCH	1	
47	341139	STATOR CONTROLLER ASS'Y	1	INCLUD.46.49
**48		CAUTION PLATE	1	FOR USA.CAN

