

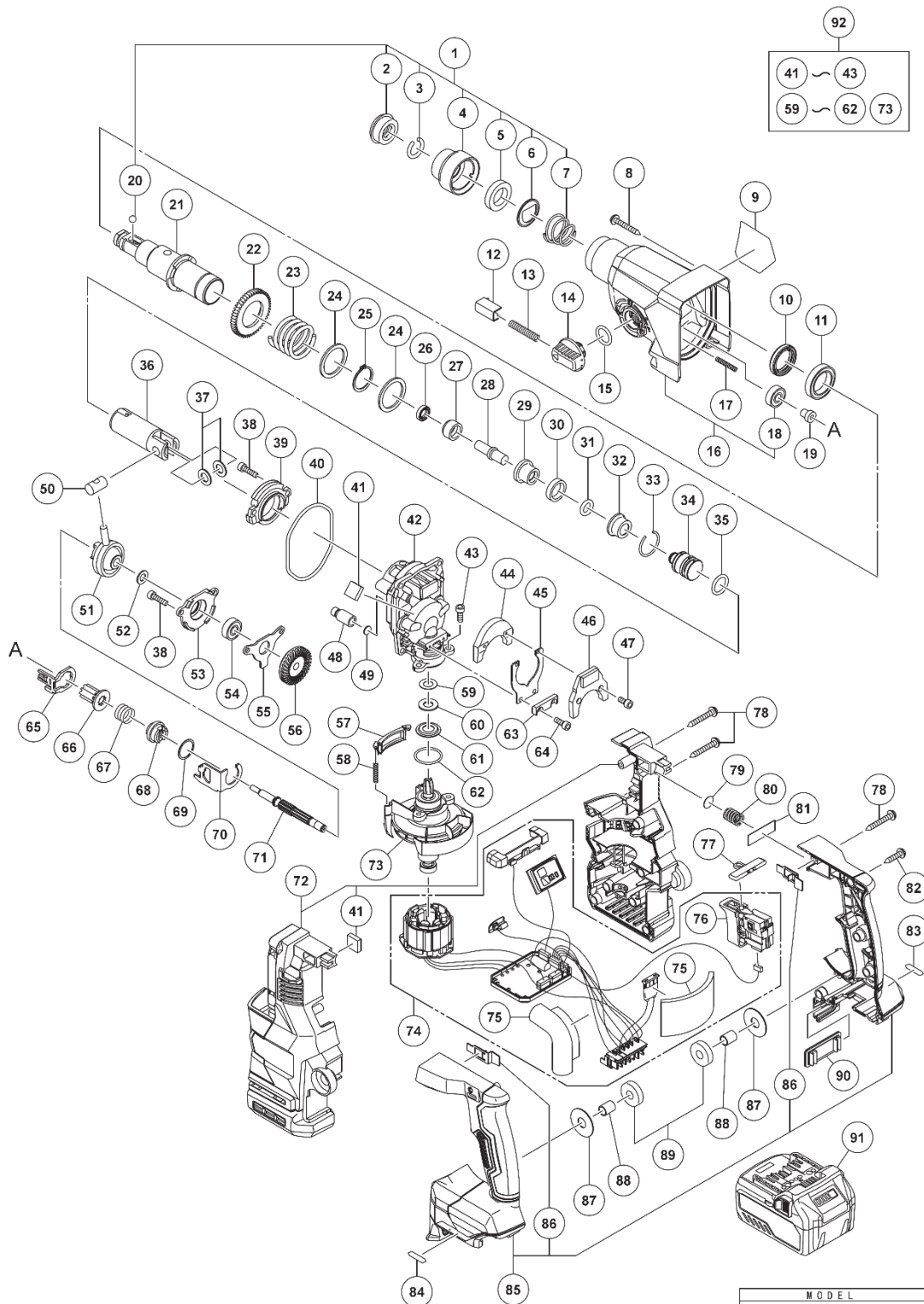
ELECTRIC TOOL PARTS LIST

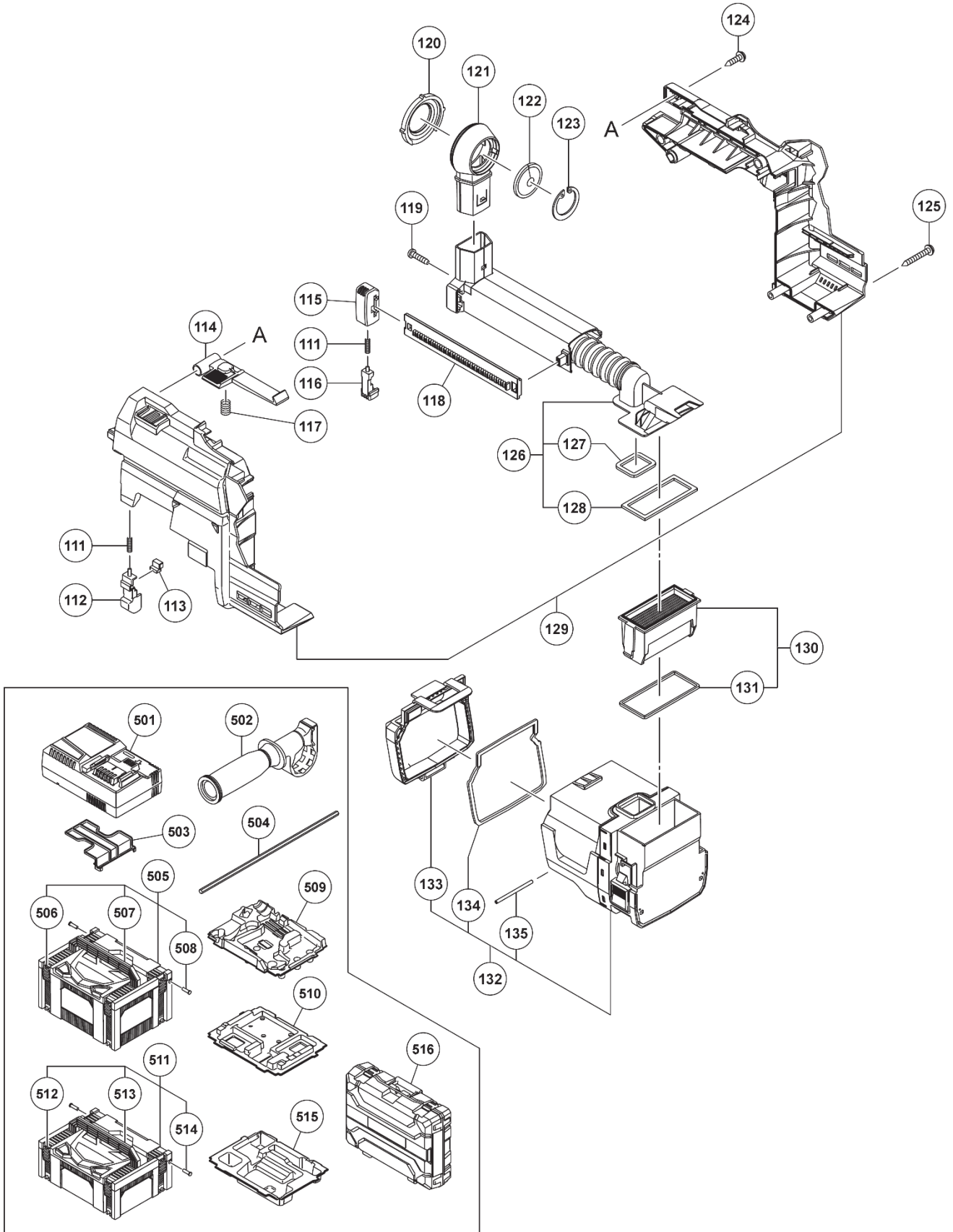
CORDLESS ROTARY HAMMER

2022 • 12 • 21

Model DH 3628DA

(E1)





MODEL
DH3628DA(2/2)

PARTS

DH3628DA

ITEM NO.	CODE NO.	DESCRIPTION	NO. USED	REMARKS
1	375363	GRIP SET	1	INCLUD.2-7.20
2	306345	FRONT CAP	1	
3	306340	STOPPER RING	1	
4	374436	GRIP	1	
5	374437	BALL HOLDER	1	
6	374435	HOLDER PLATE	1	
7	322812	HOLDER SPRING	1	
8	379084	TAPPING SCREW (W/FLANGE) D5 (BLACK)	4	
9		NAME PLATE	1	
10	335259	OIL SEAL	1	
11	6805BB	BALL BEARING 6805	1	
12	322789	PUSHING BUTTON	1	
13	317223	PUSHING SPRING	1	
14	334011	CHANGE LEVER	1	
15	878885	O-RING (S-18)	1	
16	379954	GEAR COVER ASS'Y	1	INCLUD.18
17	335800	SPRING (E)	1	
18	608VVM	BALL BEARING 608VVC2PS2L	1	
19	374422	SHAFT HOLDER (B)	1	
20	335300	STEEL BALL D7.0 (10 PCS.)	1	
21	374426	CYLINDER	1	
22	335265	SECOND GEAR	1	
23	374430	SPRING (B)	1	
24	301679	WASHER (A)	2	
25	948310	RETAINING RING FOR D30 SHAFT	1	
26	335262	OIL SEAL (A)	1	
27	375014	HAMMER HOLDER (D)	1	
28	374432	SECOND HAMMER	1	
29	374429	HAMMER HOLDER (A)	1	
30	322805	DAMPER (A)	1	
31	322808	O-RING (C)	1	
32	324524	DAMPER HOLDER	1	
33	322807	STOPPER RING	1	
34	374443	STRIKER	1	
35	372816	O-RING	1	
36	372817	PISTON	1	
37	335794	PISTON WASHER	2	
38	990079	SEAL LOCK HEX. SOCKET HD. BOLT M5X16	4	
39	379079	INNER COVER (B)	1	
40	370310	O-RING	1	
41	379947	SUPPORT (B)	2	
42	379077	INNER COVER (A)	1	
43	877839	SEAL LOCK HEX. SOCKET HD. BOLT M5X10	2	
44	374627	WEIGHT (A)	1	
45	335282	LEAF SPRING	1	
46	374628	WEIGHT (B)	1	
47	325241	SEAL LOCK HEX. SOCKET HD. BOLT M3X8	2	
48	334008	AIR CAP	1	
49	324543	FELT PACKING (A)	1	
50	335793	PISTON PIN	1	
51	335249	RECIPROCATING BEARING	1	
52	379930	BEARING WASHER	1	
53	370312	BEARING HOLDER (B)	1	
54	608VVM	BALL BEARING 608VVC2PS2L	1	
55	379082	BEARING COVER (A)	1	
56	379083	BEVEL GEAR	1	
57	379068	SHUTTER	1	
58	379069	SHUTTER SPRING	2	
59	379946	DUST WASHER	1	
60	370315	FELT PACKING	1	
61	379078	PACKING WASHER	1	
62	872470	O-RING (S-26)	1	
63	374626	SPRING HOLDER	1	

