

HIKOKI

CORDLESS ROTARY HAMMER DH3628DD

Item No.	Code No.	Description	No. Used	Remarks
1	375363	GRIP SET	1	INCLUD.2-7,19
2	306345	FRONT CAP	1	
3	306340	STOPPER RING	1	
4	374436	GRIP	1	
5	374437	BALL HOLDER	1	
6	374435	HOLDER PLATE	1	
7	322812	HOLDER SPRING	1	
8		NAME PLATE	1	
9	335259	OIL SEAL	1	
10	6805BB	BALL BEARING 6805	1	
11	322789	PUSHING BUTTON	1	
12	317223	PUSHING SPRING	1	
13	334011	CHANGE LEVER	1	
14	878885	O-RING (S-18)	1	
15	379275	GEAR COVER ASS'Y	1	INCLUD.17
16	335800	SPRING (E)	1	
17	608VVM	BALL BEARING 608VVC2PS2L	2	
18	374422	SHAFT HOLDER (B)	1	
19	335300	STEEL BALL D7.0 (10 PCS.)	1	
20	374426	CYLINDER	1	
21	335265	SECOND GEAR	1	
22	374430	SPRING (B)	1	
23	301679	WASHER (A)	2	
24	948310	RETAINING RING FOR D30 SHAFT	1	
25	335262	OIL SEAL (A)	1	
26	374431	HAMMER HOLDER (B)	1	
27	374427	HOLDER SLEEVE	1	
28	374432	SECOND HAMMER	1	
29	374429	HAMMER HOLDER (A)	1	
30	322805	DAMPER (A)	1	
31	322808	O-RING (C)	1	
32	324524	DAMPER HOLDER	1	
33	322807	STOPPER RING	1	
34	374443	STRIKER	1	
35	372816	O-RING	1	
36	372817	PISTON	1	
37	335793	PISTON PIN	1	
38	335794	PISTON WASHER	2	
39	374434	LOCK PLATE	1	
40	374440	SECOND PINION	1	
41	323182	CLUTCH SPRING	1	
42	375022	CLUTCH	1	
43	331315	WASHER	1	
44	374439	CHANGE PLATE (C)	1	
45	374438	SECOND SHAFT	1	
46	335249	RECIPROCATING BEARING	1	
47	374441	FIRST GEAR	1	
48	374442	BEARING WASHER	1	
49	335245	O-RING D72.2	1	
50	374433	INNER COVER	1	
51	322816	FELT PACKING	1	
52	322818	PACKING WASHER	1	
53	876796	O-RING (P-22)	1	

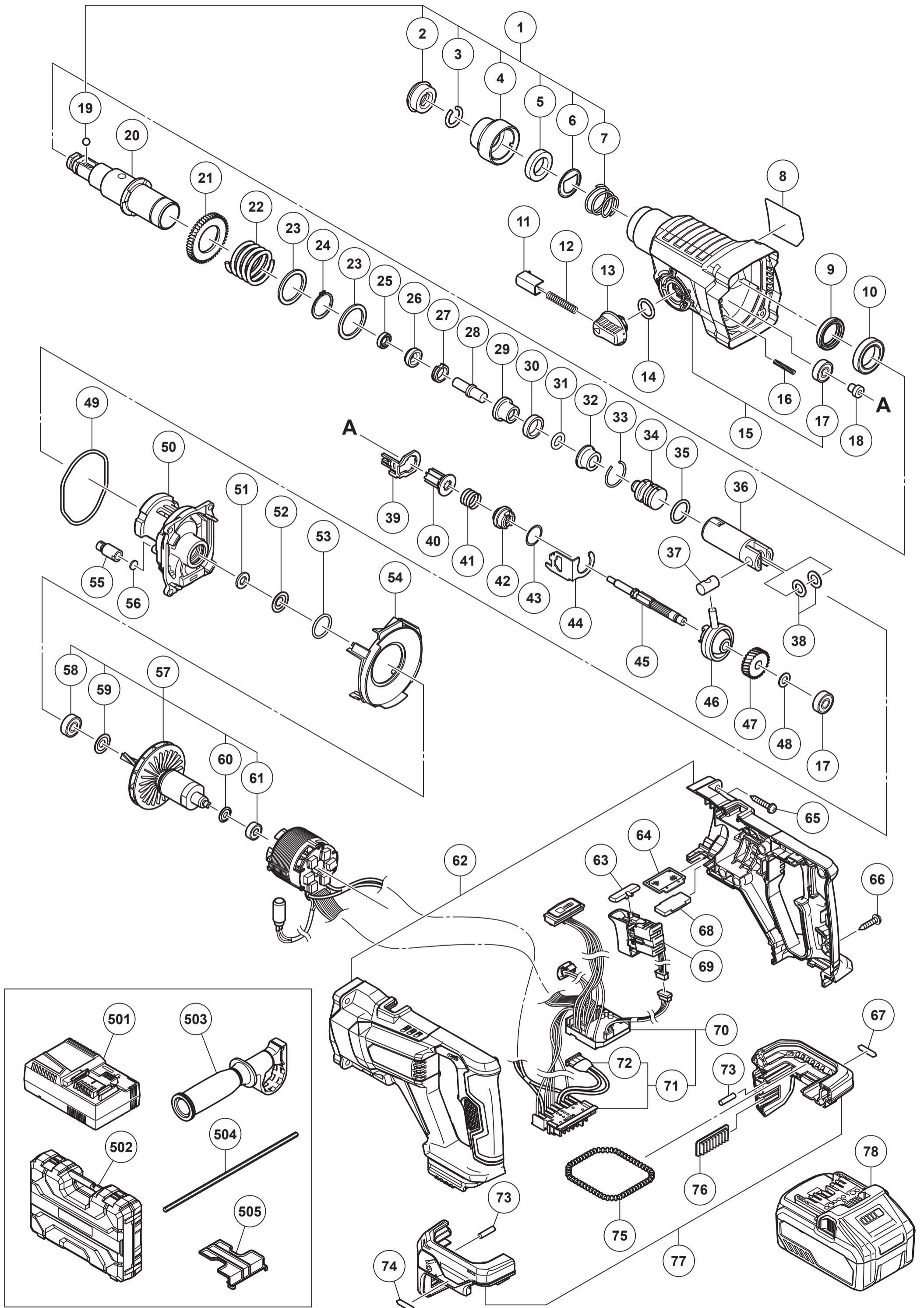
* ALTERNATIVE PARTS

HIKOKI

CORDLESS ROTARY HAMMER DH3628DD

Item No.	Code No.	Description	No. Used	Remarks
54	376761	FAN GUIDE	1	
55	334008	AIR CAP	1	
56	324543	FELT PACKING (A)	1	
57	361153	ROTOR ASS'Y (A)	1	INCLUD.58-61
58	608DDM	BALL BEARING 608DD	1	
59	982631	WASHER (A)	1	
60	377322	DUST WASHER	1	
61	371919	BALL BEARING 606VVMC3E	1	
62	378655M	HOUSING (A).(B) SET	1	
63	322853	PUSHING BUTTON	1	
64	376760	MESH	1	
65	301654	TAPPING SCREW (W/FLANGE) D5X35	4	
66	301653	TAPPING SCREW (W/FLANGE) D4X20 (BLACK)	10	
67	373914	MV LABEL (B)	1	
68	376759	CAP	1	
69	376670	SWITCH	1	
70	377107	WIRING ASS'Y	1	INCLUD.71
71	378847	BATTERY TERMINAL ASS'Y	1	INCLUD.72
72	378846	FUSE	1	
73	373041	REAR BUMPER	2	
74	373913	MV LABEL (A)	1	
75	373039	JOINT RUBBER	1	
76	377176	BATTERY RUBBER (B)	1	
77	376757	BATTERY HOUSING (A).(B) SET	1	
78	372121M	BATTERY BSL 36B18 (USA,CAN)	1	INCLUD.505
		STANDARD ACCESSORIES		
501		CHARGER (MODEL UC18YSL3)	1	
502	378656	CASE	1	
503	374447	SIDE HANDLE	1	
504	303709	DEPTH GAUGE	1	
505	329897	BATTERY COVER	1	
		OPTIONAL ACCESSORIES		
601	303332	HAMMER DRILL CHUCK SET 13MM	1	INCLUD.602,603
602	303334	CHUCK HANDLE	1	
603	303335	RUBBER CAP	1	
604	321825	DRILL CHUCK AND ADAPTER SET	1	INCLUD.605,606
605	303623	CHUCK ADAPTER (G) (SDS PLUS)	1	
606	321814	DRILL CHUCK 13VLRB-D	1	INCLUD.607,608
607	331966	FLAT HD. SCREW (LEFT HAND) M6X20	1	
608	303334	CHUCK HANDLE	1	
609	971787	DUST CUP	1	
610	372200	HOOK	1	
611	373378	TRUSS HD. SCREW M4 (BLACK)	1	
612	306885	DUST COLLECTOR (B) ASS'Y	1	INCLUD.613
613	306910	SOCKET ADAPTER (B)	1	
614	335782	GREASE FOR ROTARY HAMMER (60G)	1	
615	335781	GREASE FOR ROTARY HAMMER (500G)	1	
616	376971M	DUST EXTRACTOR (IN CARTON BOX)	1	

* ALTERNATIVE PARTS



MODEL
DH3628DD