

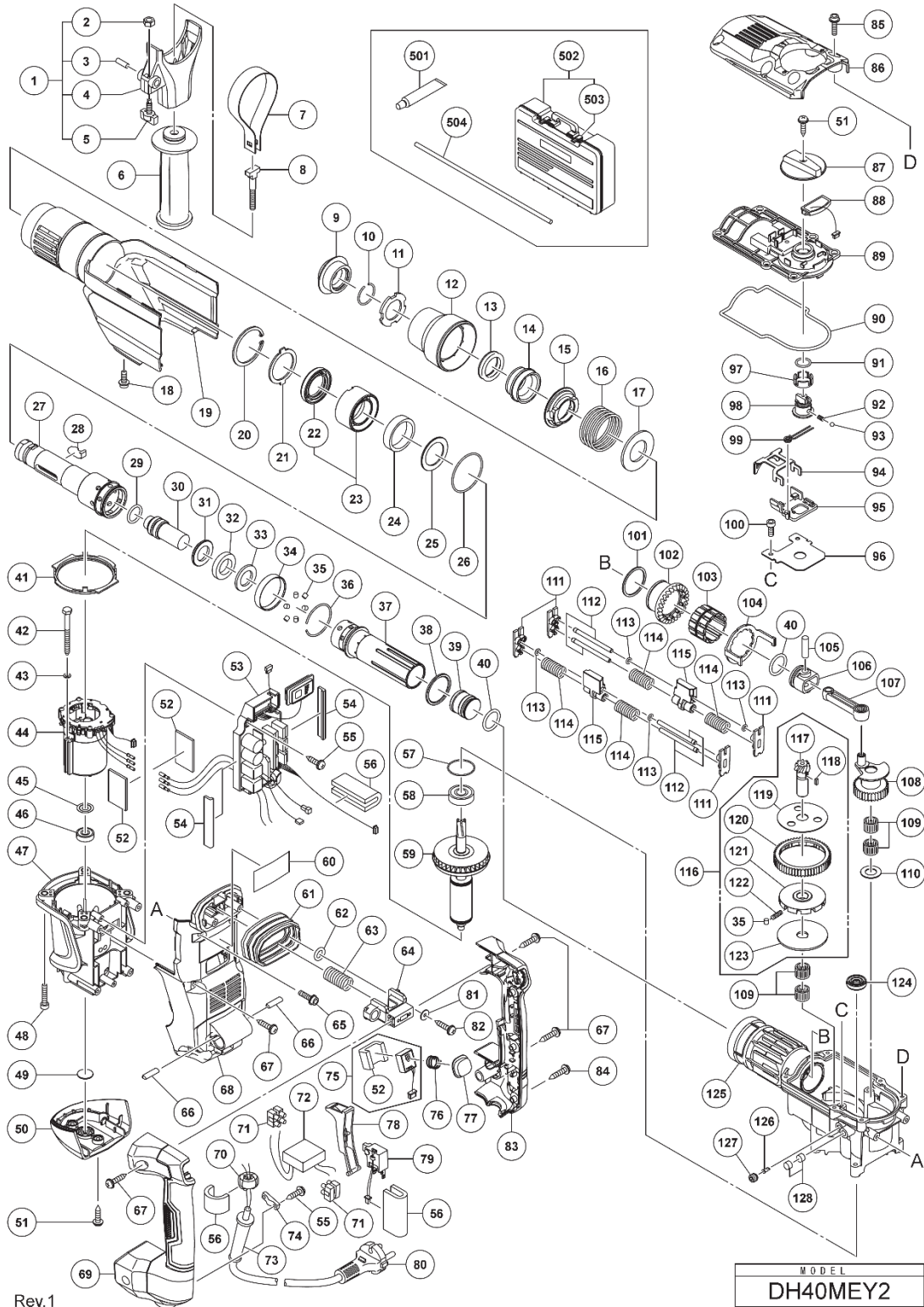
## ELECTRIC TOOL PARTS LIST

BRUSHLESS ROTARY HAMMER

2023 • 11 • 16

Model DH 40MEY2

(E1)



## PARTS

DH40MEY2

ITEM NO.	CODE NO.	DESCRIPTION	NO. USED	REMARKS
**1	380209	MOUNT ASS'Y	1	INCLUD.2-5 EXCEPT FOR EUROPE.SAF
**2	949556	NUT M6 (10 PCS.)	1	EXCEPT FOR EUROPE.SAF
**3	949859	ROLL PIN D2X8 (10 PCS.)	1	EXCEPT FOR EUROPE.SAF
4	380324	MOUNT	1	
**5	337577	WING BOLT	1	EXCEPT FOR EUROPE.SAF
6	380210	SIDE HANDLE	1	
7	380208	BAND	1	
8	331247	HANDLE BOLT	1	
9	371151	FRONT CAP	1	
10	318590	STOPPER RING	1	
11	371138	RETAINER WASHER	1	
12	381003	GRIP	1	
13	337559	RETAINER DAMPER (A)	1	
14	380375	BIT LOCK HOLDER	1	
15	380374	THRUST PLATE	1	
16	337556	RETAINER SPRING	1	
17	371145	SPRING HOLDER (A)	1	
18	998471	HEX. SOCKET HD. BOLT (W/FLANGE) M5X12	1	
**19	380344M	CYLINDER COVER	1	FOR USA.CAN
20	967270	RETAINING RING FOR D52 HOLE	1	
21	380373	STOPPER WASHER	1	
22	380370	OIL SEAL (B)	1	
23	380369	METAL ASS'Y	1	INCLUD.22
24	380371	RETAINER DAMPER (B)	1	
25	380372	RETAINER DAMPER WASHER	1	
26	331244	O-RING	1	
27	380361	RETAINER SLEEVE	1	
28	370654	BIT LOCK	2	
29	313396	O-RING (C)	1	
30	380362	SECOND HAMMER	1	
31	380363	DAMPER WASHER	1	
32	380364	DAMPER	1	
33	380365	DAMPER HOLDER	1	
34	380367	NEEDLE SLEEVE	1	
35	331217	NEEDLE	16	
36	323073	RING (A)	1	
37	380366	CYLINDER	1	
38	380368	THRUST WASHER (B)	1	
39	380355	STRIKER	1	
40	986104	O-RING	2	
41	380337	FAN GUIDE	1	
42	963712	HEX. HD. TAPPING SCREW D4X65	2	
43	323210	BOLT WASHER M4 (BLACK)	2	
**44	341169	STATOR SENSOR PCB SET 100V-120V	1	
45	982631	WASHER (A)	1	
46	608VVM	BALL BEARING 608VVC2PS2L	1	
47	380334	HOUSING	1	
48	993496	SEAL LOCK HEX. SOCKET HD. BOLT M6X30	4	
49	333263	DUST SEAL	1	
50	380336	TAIL COVER	1	
51	307811	TAPPING SCREW (W/FLANGE) D4X16 (BLACK)	3	
52	339059	PACKING (A)	3	
**53	380641	CONTROLLER SET 100V-120V	1	
54	381004	PACKING (B)	2	
55	375308	TAPING SCREW (W/FLANGE) D4X16	5	
**56	317492	SUPPORT (B)	2	
57	872767	O-RING (S-32)	1	
58	6201DD	BALL BEARING 6201DDCMPS2L	1	
59	361227	ROTOR (B)	1	
60		NAME PLATE	1	
61	375306	BELLOWS	1	
62	322808	O-RING (C)	2	

## PARTS

DH40MEY2

ITEM NO.	CODE NO.	DESCRIPTION	NO. USED	REMARKS
63	380388	HANDLE SPRING	1	
64	380389	HANDLE HOLDER	1	
65	994192	HEX. SOCKET HD. BOLT (W/FLANGE) M5X16	2	
66	338194	WEIGHT BUMPER	2	
67	302089	TAPPING SCREW (W/FLANGE) D5X20 (BLACK)	7	
68	380387	BACK COVER	1	
69	380643	HANDLE (A)	1	
71	958308Z	PILLAR TERMINAL (A)	2	
**72	380340	FILTER PCB 100V-120V	1	
**73	953327	CORD ARMOR D8.8	1	
74	960266	CORD CLIP	1	
75	380888	ON LOCK PCB (A) ASS'Y	1	INCLUD.52
76	375321	ON LOCK SPRING	1	
77	338171	ON LOCK BUTTON	1	
78	380342	TRIGGER	1	
79	381005	SWITCH	1	
**80	500434Z	CORD	1	(CORD ARMOR D8.8) FOR USA.CAN
81	374772	WASHER	2	
82	305558	TAPPING SCREW (W/FLANGE) D5X25 (BLACK)	2	
83	380644	HANDLE (B)	1	
84	301653	TAPPING SCREW (W/FLANGE) D4X20 (BLACK)	3	
85	338177	HEX. SOCKET HD. BOLT (W/FLANGE) M5X18	6	
86	380386	CRANK COVER	1	
87	380645	CHANGE LEVER	1	
88	380646	ON LOCK PCB (B)	1	
89	380390	LEVER HOLDER	1	
90	380385	SEAL RING	1	
91	338312	O-RING	1	
92	337567	LEVER SPRING	1	
93	370239	STEEL BALL D5	1	
94	380384	HOOK	1	
95	380382	SLIDER	1	
96	380357	CRANK PLATE	1	
97	380381	BALL HOLDER	1	
98	380380	LEVER SHAFT	1	
99	380383	CLUTCH SPRING	1	
100	984509	SEAL LOCK HEX. SOCKET HD. BOLT M5X14	2	
101	380358	METAL WASHER	1	
102	380359	BEVEL GEAR	1	
103	380360	CLUTCH	1	
104	380356	LOCK PLATE	1	
105	331221	PISTON PIN	1	
106	326369	PISTON	1	
107	337535	CONNECTING ROD ASS'Y	1	
108	380348	CRANK GEAR	1	
109	380346	NEEDLE CAGE	4	
110	380347	THRUST WASHER (A)	1	
111	380376	WEIGHT HOLDER	4	
112	380377	WEIGHT SHAFT	4	
113	307292	O-RING (4PC-5)	4	
114	380378	WEIGHT SPRING	4	
115	380379	WEIGHT	2	
116	380349	SLIP CLUTCH ASS'Y	1	INCLUD.35.117-123
117	380350	BEVEL PINION	1	
118	944109	FEATHER KEY 3X3X8	1	
119	380351	CLUTCH WASHER	1	
120	380352	SECOND GEAR	1	
121	380353	GEAR HOLDER	1	
122	321282	SPRING (C)	10	
123	380354	SPACER	1	
124	380339	OIL SEAL (A)	1	
125	380338	CRANK CASE	1	
126	995396	VALVE	1	
127	339061	CAP SCREW	1	
128	380345	FELT	2	

