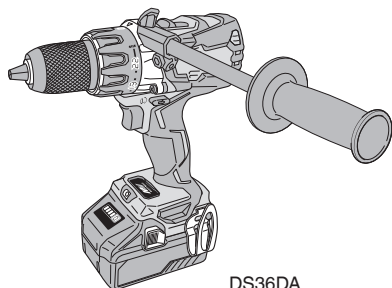


Model
Modèle
Modelo

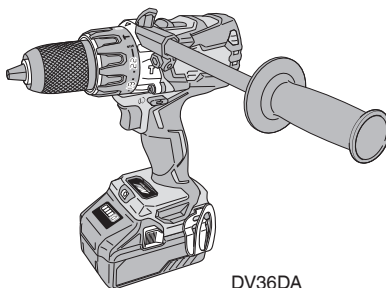
DS 36DA

DV 36DA

Cordless Driver Drill
Perceuse-visseuse sans fil
Taladro atornillador inalámbrico
Cordless Hammer Drill
Perceuse à percussion sans fil
Taladro de percusión inalámbrico



DS36DA



DV36DA

SAFETY INSTRUCTIONS AND INSTRUCTION MANUAL

⚠ WARNING

IMPROPER OR UNSAFE use of this power tool can result in death or serious bodily injury!
This manual contains important information about product safety. Please read and understand this manual before operating the power tool. Please keep this manual available for other users and owners before they use the power tool. This manual should be stored in safe place.

INSTRUCTIONS DE SECURITE ET MODE D'EMPLOI

⚠ AVERTISSEMENT

Une utilisation **INCORRECTE OU DANGEREUSE** de cet outil motorisé peut entraîner la mort ou de sérieuses blessures corporelles!

Ce mode d'emploi contient d'importantes informations à propos de la sécurité de ce produit. Prière de lire et de comprendre ce mode d'emploi **AVANT** d'utiliser l'outil motorisé. Garder ce mode d'emploi à la disponibilité des autres utilisateurs et propriétaires avant qu'ils utilisent l'outil motorisé. Ce mode d'emploi doit être conservé dans un endroit sûr.

INSTRUCCIONES DE SEGURIDAD Y MANUAL DE INSTRUCCIONES

⚠ ADVERTENCIA

¡La utilización **INAPROPIADA O PELIGROSA** de esta herramienta eléctrica puede resultar en lesiones de gravedad o la muerte!

Este manual contiene información importante sobre la seguridad del producto. Lea y comprenda este manual **ANTES** de utilizar la herramienta eléctrica. Guarde este manual para que puedan leerlo otras personas antes de utilizar la herramienta eléctrica. Este manual debe ser guardado en un lugar seguro.

IMPORTANT SAFETY INFORMATION

Read and understand all of the safety precautions, warnings and operating instructions in the Instruction Manual before operating or maintaining this power tool.

Most accidents that result from power tool operation and maintenance are caused by the failure to observe basic safety rules or precautions. An accident can often be avoided by recognizing a potentially hazardous situation before it occurs, and by observing appropriate safety procedures.

Basic safety precautions are outlined in the "SAFETY" section of this Instruction Manual and in the sections which contain the operation and maintenance instructions.

Hazards that must be avoided to prevent bodily injury or machine damage are identified by WARNINGS on the power tool and in this Instruction Manual.

NEVER use this power tool in a manner that has not been specifically recommended by metabo HPT.

MEANINGS OF SIGNAL WORDS

WARNING indicates a potentially hazardous situations which, if ignored, could result in death or serious injury.

CAUTION indicates a potentially hazardous situations which, if not avoided, may result in minor or moderate injury, or may cause machine damage.

NOTE emphasizes essential information.

SAFETY

GENERAL POWER TOOL SAFETY WARNINGS

WARNING

Read all safety warnings and all instructions.

Failure to follow the warnings and instructions may result in electric shock, fire and/or serious injury.

Save all warnings and instructions for future reference.

The term "power tool" in the warnings refers to your mains-operated (corded) power tool or battery-operated (cordless) power tool.

1) Work area safety

- a) **Keep work area clean and well lit.**
Cluttered or dark areas invite accidents.
- b) **Do not operate power tools in explosive atmospheres, such as in the presence of flammable liquids, gases or dust.**
Power tools create sparks which may ignite the dust or fumes.
- c) **Keep children and bystanders away while operating a power tool.**
Distractions can cause you to lose control.

2) Electrical safety

- a) **Power tool plugs must match the outlet. Never modify the plug in any way. Do not use any adapter plugs with earthed (grounded) power tools.**
Unmodified plugs and matching outlets will reduce risk of electric shock.
- b) **Avoid body contact with earthed or grounded surfaces such as pipes, radiators, ranges and refrigerators.**

There is an increased risk of electric shock if your body is earthed or grounded.

- c) **Do not expose power tools to rain or wet conditions.**
Water entering a power tool will increase the risk of electric shock.
- d) **Do not abuse the cord. Never use the cord for carrying, pulling or unplugging the power tool. Keep cord away from heat, oil, sharp edges or moving parts.**
Damaged or entangled cords increase the risk of electric shock.
- e) **When operating a power tool outdoors, use an extension cord suitable for outdoor use.**
Use of a cord suitable for outdoor use reduces the risk of electric shock.
- f) **If operating a power tool in a damp location is unavoidable, use a residual current device (RCD) protected supply.**
Use of an RCD reduces the risk of electric shock.

3) Personal safety

- a) **Stay alert, watch what you are doing and use common sense when operating a power tool. Do not use a power tool while you are tired or under the influence of drugs, alcohol or medication.**

A moment of inattention while operating power tools may result in serious personal injury.

- b) **Use personal protective equipment. Always wear eye protection.**

Protective equipment such as dust mask, non-skid safety shoes, hard hat, or hearing protection used for appropriate conditions will reduce personal injuries.

- c) **Prevent unintentional starting. Ensure the switch is in the off-position before connecting to power source and/or battery pack, picking up or carrying the tool.**

Carrying power tools with your finger on the switch or energising power tools that have the switch on invites accidents.

- d) **Remove any adjusting key or wrench before turning the power tool on.**

A wrench or a key left attached to a rotating part of the power tool may result in personal injury.

- e) **Do not overreach. Keep proper footing and balance at all times.**

This enables better control of the power tool in unexpected situations.

- f) **Dress properly. Do not wear loose clothing or jewellery. Keep your hair, clothing and gloves away from moving parts.**

Loose clothes, jewellery or long hair can be caught in moving parts.

- g) **If devices are provided for the connection of dust extraction and collection facilities, ensure these are connected and properly used.**

Use of dust collection can reduce dust-related hazards.

4) Power tool use and care

- a) **Do not force the power tool. Use the correct power tool for your application.**

The correct power tool will do the job better and safer at the rate for which it was designed.

- b) **Do not use the power tool if the switch does not turn it on and off.**

Any power tool that cannot be controlled with the switch is dangerous and must be repaired.

- c) **Disconnect the plug from the power source and/or the battery pack from the power tool before making any adjustments, changing accessories, or storing power tools.**

Such preventive safety measures reduce the risk of starting the power tool accidentally.

- d) **Store idle power tools out of the reach of children and do not allow persons unfamiliar with the power tool or these instructions to operate the power tool.**

Power tools are dangerous in the hands of untrained users.

- e) **Maintain power tools. Check for misalignment or binding of moving parts, breakage of parts and any other condition that may affect the power tool's operation.**

If damaged, have the power tool repaired before use.

Many accidents are caused by poorly maintained power tools.

- f) **Keep cutting tools sharp and clean.**

Properly maintained cutting tools with sharp cutting edges are less likely to bind and are easier to control.

- g) **Use the power tool, accessories and tool bits etc. in accordance with these instructions, taking into account the working conditions and the work to be performed.**

Use of the power tool for operations different from those intended could result in a hazardous situation.

5) Battery tool use and care

- a) **Recharge only with the charger specified by the manufacturer.**

A charger that is suitable for one type of battery pack may create a risk of fire when used with another battery pack.

- b) **Use power tools only with specifically designated battery packs.**

Use of any other battery packs may create a risk of injury and fire.

- c) **When battery pack is not in use, keep it away from other metal objects like paper clips, coins, keys, nails, screws, or other small metal objects, that can make a connection from one terminal to another.**

Shorting the battery terminals together may cause burns or a fire.

- d) **Under abusive conditions, liquid may be ejected from the battery; avoid contact. If contact accidentally occurs, flush with water. If liquid contacts eyes, additionally seek medical help.**

Liquid ejected from the battery may cause irritation or burns.

6) Service

- a) **Have your power tool serviced by a qualified repair person using only identical replacement parts.**

This will ensure that the safety of the power tool is maintained.

– **WARNING** –

To reduce the risk of injury, user must read instruction manual.

SPECIFIC SAFETY RULES AND SYMBOLS

1. **Wear ear protectors with impact drilling.**



Exposure to noise can cause hearing loss.

2. **Use auxiliary handle(s), if supplied with the tool.**

Loss of control can cause personal injury.

3. **Hold power tool by insulated gripping surfaces, when performing an operation where the cutting accessory may contact hidden wiring.**

Cutting accessory contacting a “live” wire may make exposed metal parts of the power tool “live” and could give the operator an electric shock.

4. **Hold power tool by insulated gripping surfaces, when performing an operation where the fastener may contact hidden wiring.**

Fasteners contacting a “live” wire may make exposed metal parts of the power tool “live” and could give the operator an electric shock.

5. **Never place hands or other body parts near the drill bit or chuck during operation. Hold the drill by its handle only.**

6. **Because the cordless tool operates by battery power, be aware of the fact that it can begin to operate at any time.**

7. **When working at elevated locations, clear the area of all other people and be aware of conditions below you.**

8. **Never touch moving parts.**

Never place your hands, fingers or other body parts near the tool’s moving parts.

9. **Never operate without all guards in place.**

Never operate this tool without all guards or safety features in place and in proper working order. If maintenance or servicing requires the removal of a guard or safety feature, be sure to replace the guard or safety feature before resuming operation of the tool.

10. **Use right tool.**

Don’t force small tool or attachment to do the job of a heavy-duty tool.

Don’t use tool for purpose not intended—for example— don’t use circular saw for cutting tree limbs or logs.

11. **Never use a power tool for applications other than those specified.**

Never use a power tool for applications other than those specified in the instruction manual.

12. **Handle tool correctly.**

Operate the tool according to the instructions provided herein. Do not drop or throw the tool. Never allow the tool to be operated by children, individuals unfamiliar with its operation or unauthorized personnel.

13. **Keep all screws, bolts and covers tightly in place.**

Keep all screws, bolts, and plates tightly mounted. Check their condition periodically.

14. **Do not use power tools if the plastic housing or handle is cracked.**

Cracks in the tool’s housing or handle can lead to electric shock. Such tools should not be used until repaired.

15. **Blades and accessories must be securely mounted to the tool.**

Prevent potential injuries to yourself or others. Blades, cutting implements and accessories which have been mounted to the tool should be secure and tight.

16. **Never use a tool which is defective or operating abnormally.**

If the tool appears to be operating unusually, making strange noises, or otherwise appears defective, stop using it immediately and arrange for repairs by a metabo HPT authorized service center.

17. **Carefully handle power tools.**

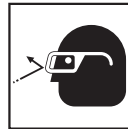
Should a power tool be dropped or struck against hard materials inadvertently, it may be deformed, cracked, or damaged.

18. **Do not wipe plastic parts with solvent.**

Solvents such as gasoline, thinner benzine, carbon tetrachloride, and alcohol may damage and crack plastic parts. Do not wipe them with such solvents.

Wipe plastic parts with a soft cloth lightly dampened with soapy water and dry thoroughly.

19. **Always wear eye protection that meets the requirement of the latest revision of ANSI Standard Z87.1.**



20. **Do not use the product if the tool or the battery terminals (battery mount) are deformed.**

Installing the battery could cause a short circuit that could result in smoke emission or ignition.

21. **Keep the tool’s terminals (battery mount) free of swarf and dust.**

○ Prior to use, make sure that swarf and dust have not collected in the area of the terminals.

○ During use, try to avoid swarf or dust on the tool from falling on the battery.

○ When suspending operation or after use, do not leave the tool in an area where it may be exposed to falling swarf or dust.

Doing so could cause a short circuit that could result in smoke emission or ignition.

22. Definitions for symbols used on this tool
 V volts
 — direct current
 No no load speed
 ---/min.... revolutions or reciprocation per minute

IMPORTANT SAFETY INSTRUCTIONS FOR BATTERY CHARGER

⚠ WARNING

Death or serious bodily injury could result from improper or unsafe use of battery chargers. To avoid these risks, follow these basic safety instructions:

READ ALL INSTRUCTIONS

1. This manual contains important safety and operating instructions for battery charger Model UC18YSL3.
2. Before using battery charger, read all instructions and cautionary markings on (1) battery charger, (2) battery, and (3) product using battery.

3. To reduce risk of injury, charge metabo HPT rechargeable battery type BSL36B18 and BSL18 series . Other type of batteries may burst causing personal injury and damage.
4. Use of an attachment not recommended or sold by the battery charger manufacturer may result in a risk of fire, electric shock, or injury to persons.
5. To reduce risk of damage to electric plug and cord, pull by plug when disconnecting battery charger.
6. Make sure cord is located so that it will not be stepped on, tripped over, or otherwise subjected to damage or stress.
7. An extension cord should not be used unless absolutely necessary. Use of improper extension cord could result in a risk of fire and electric shock. If extension cord must be used make sure:
 - a. That blades of extension cord are the same number, size, and shape as those of plug on battery charger:
 - b. That extension cord is properly wired and in good electrical condition; and
 - c. That wire size is large enough for AC ampere rating of battery charger as specified in Table 1.

Table 1
 RECOMMENDED MINIMUM AWG SIZE FOR
 EXTENSION CORDS FOR BATTERY CHARGERS

| AC Input Rating Amperes* | | AWG Size of Cord | | | |
|--------------------------|---------------|------------------------------|---------|----------|----------|
| Equal to or greater than | but less than | Length of Cord, Feet (Meter) | | | |
| | | 25 (7.5) | 50 (15) | 100 (30) | 150 (45) |
| 0 | 2 | 18 | 18 | 18 | 16 |
| 2 | 3 | 18 | 18 | 16 | 14 |
| 3 | 4 | 18 | 18 | 16 | 14 |

* If the input rating of a battery charger is given in watts rather than in amperes, the corresponding ampere rating is to be determined by dividing the wattage rating by the voltage rating—for example:

$$\frac{1,250 \text{ watts}}{125 \text{ volts}} = 10 \text{ amperes}$$

8. Do not operate battery charger with damaged cord or plug-replace them immediately.
9. Do not operate battery charger if it has received a sharp blow, been dropped, or otherwise damaged in any way; take it to a qualified serviceman.
10. Do not disassemble battery charger; take it to a qualified serviceman when service or repair is required. Incorrect reassembly may result in a risk of electric shock or fire.

11. To reduce risk of electric shock, unplug charger from receptacle before attempting any maintenance or cleaning. Removing the battery will not reduce this risk.

IMPORTANT SAFETY INSTRUCTIONS FOR USE OF THE BATTERY AND BATTERY CHARGER

You must charge the battery before you can use the power tool. Before using the model UC18YSL3 battery charger, be sure to read all instructions and cautionary statements on it, the battery and in this manual.

REMEMBER: USE ONLY metabo HPT BATTERY TYPE BSL36B18. OTHER TYPES OF BATTERIES MAY BURST AND CAUSE INJURY!

Follow these instructions to avoid the risk of injury:

⚠ WARNING: Improper use of the battery or battery charger can lead to serious injury. To avoid these injuries:

1. **NEVER** disassemble the battery.
2. **NEVER** incinerate the battery, even if it is damaged or is completely worn out. The battery can explode in a fire.
3. **NEVER** short-circuit the battery.
4. **NEVER** insert any objects into the battery charger's air vents. Electric shock or damage to the battery charger may result.
5. **NEVER** charge outdoors. Keep the battery away from direct sunlight and use only where there is low humidity and good ventilation.
6. **NEVER** charge when the temperature is below 14°F (-10°C) or above 104°F (40°C).
7. **NEVER** connect two battery chargers together.
8. **NEVER** insert foreign objects into the hole for the battery or the battery charger.
9. **NEVER** use a booster transformer when charging.
10. **NEVER** use DC power to charge.
11. **NEVER** store the battery or battery charger in places where the temperature may reach or exceed 104°F (40°C) such as inside metal box or car.
12. **NEVER** expose the battery or battery charger to rain or wet conditions.
13. **ALWAYS** operate charger on standard household electrical power (120 volts). Using the charger on any other voltage may overheat and damage the charger.
14. **ALWAYS** wait at least 15 minutes between charges to avoid overheating the charger.
15. **ALWAYS** disconnect the power cord from its receptacle when the charger is not in use.

CAUTION ON LITHIUM-ION BATTERY

To extend the lifetime, the lithium-ion battery equips with the protection function to stop the output.

In the cases of 1 to 3 described below, when using this product, even if you are pulling the switch, the motor may stop. This is not the trouble but the result of protection function.

1. When the battery power remaining runs out, the motor stops.
In such case, charge it up immediately.
2. If the tool is overloaded, the motor may stop. In this case, release the switch of tool and eliminate causes of overloading. After that, you can use it again.
3. If the battery is overheated under overload work, the battery power may stop.
In this case, stop using the battery and let the battery cool. After that, you can use it again.

Furthermore, please heed the following warning and caution.

⚠ WARNING

In order to prevent any battery leakage, heat generation, smoke emission, explosion and ignition beforehand, please be sure to heed the following precautions.

1. Make sure that swarf and dust do not collect on the battery.
 - During work make sure that swarf and dust do not fall on the battery.
 - Make sure that any swarf and dust falling on the power tool during work do not collect on the battery.
 - Do not store an unused battery in a location exposed to swarf and dust.
 - Before storing a battery, remove any swarf and dust that may adhere to it and do not store it together with metal parts (screws, nails, etc.).
2. Do not pierce battery with a sharp object such as a nail, strike with a hammer, step on, throw or subject the battery to severe physical shock.
3. Do not use an apparently damaged or deformed battery.
4. Do not use the battery in reverse polarity.
5. Do not connect directly to an electrical outlets or car cigarette lighter sockets.
6. Do not use the battery for a purpose other than those specified.
7. If the battery charging fails to complete even when a specified recharging time has elapsed, immediately stop further recharging.
8. Do not put or subject the battery to high temperatures or high pressure such as into a microwave oven, dryer, or high pressure container.
9. Keep away from fire immediately when leakage or foul odor are detected.
10. Do not use in a location where strong static electricity generates.
11. If there is battery leakage, foul odor, heat generated, discolored or deformed, or in any way appears abnormal during use, recharging or storage, immediately remove it from the equipment or battery charger, and stop use.
12. Do not immerse the battery or allow any fluids to flow inside. Conductive liquid ingress, such as water, can cause damage resulting in fire or explosion. Store your battery in a cool, dry place, away from combustible and flammable items. Corrosive gas atmospheres must be avoided.

⚠ CAUTION

1. If liquid leaking from the battery gets into your eyes, do not rub your eyes and wash them well with fresh clean water such as tap water and contact a doctor immediately.
If left untreated, the liquid may cause eye-problems.
2. If liquid leaks onto your skin or clothes, wash well with clean water such as tap water immediately.
There is a possibility that this can cause skin irritation.
3. If you find rust, foul odor, overheating, discolor, deformation, and/or other irregularities when using the battery for the first time, do not use and return it to your supplier or vendor.

⚠ WARNING

If an electrically conductive foreign object enters the terminals of the lithium ion battery, a short-circuit may occur resulting in the risk of fire. Please observe the following matters when storing the battery.

- Do not place electrically conductive cuttings, nails, steel wire, copper wire or other wire in the storage case.
- Either install the battery in the power tool or store by securely pressing into the battery cover until the ventilation holes are concealed to prevent short-circuits (See Fig. 3).

REGARDING LITHIUM-ION BATTERY TRANSPORTATION

When transporting a lithium-ion battery, please observe the following precautions.

⚠ WARNING

Notify the transporting company that a package contains a lithium-ion battery, inform the company of its power output and follow the instructions of the transportation company when arranging transport.

- Lithium-ion batteries that exceed a power output of 100 Wh are considered to be in the freight classification of Dangerous Goods and will require special application procedures.
- For transportation abroad, you must comply with international law and the rules and regulations of the destination country.
- If the BSL36B18 is installed in the power tool, the power output will exceed 100 Wh and the unit will be classified as Dangerous Goods for freight classification.

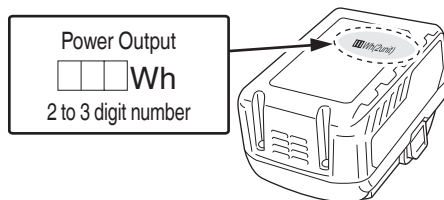


Fig. 1

**SAVE THESE INSTRUCTIONS
AND
MAKE THEM AVAILABLE TO OTHER USERS
AND
OWNERS OF THIS TOOL!**

FUNCTIONAL DESCRIPTION

NOTE

The information contained in this Instruction Manual is designed to assist you in the safe operation and maintenance of the power tool.

NEVER operate, or attempt any maintenance on the tool unless you have first read and understood all safety instructions contained in this manual.

Some illustrations in this Instruction Manual may show details or attachments that differ from those on your own power tool.

NAME OF PARTS

1. Cordless Driver Drill / Cordless Hammer Drill (DS36DA / DV36DA)

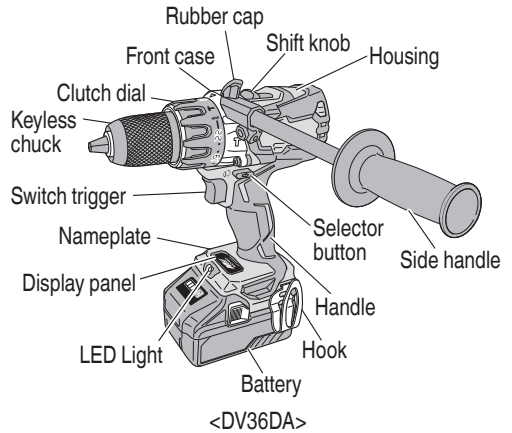
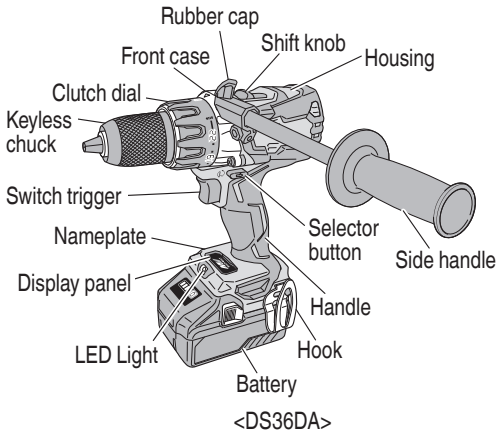
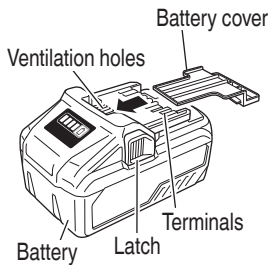


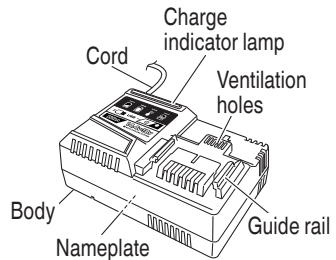
Fig. 2

2. Battery



<BSL36B18>
Fig. 3

3. Battery Charger



<UC18YSL3>
Fig. 4

SPECIFICATIONS

1. Cordless Driver Drill / Cordless Hammer Drill

| | | | |
|----------------------|--------------|---|---|
| Model | | DS36DA | DV36DA |
| Motor | | DC motor | |
| No-load speed | Low | 0 – 500/min | 0 – 500/min |
| | High | 0 – 2,100/min | 0 – 2,100/min |
| Capacity | Drilling | Brick (Depth 1-1/4 in. (30 mm)) | 25/32 in. (20 mm) |
| | | Wood (Thickness 11/16 in. (18 mm)) | 4-1/32 in. (102 mm) (Soft Wood) |
| | | Metal (Thickness 1/16 in. (1.6 mm)) | 5/8 in. (16 mm) (Mild Steel) |
| | Screw Driver | Wood screw | 15/32 in. x 3-15/16 in. (12 mm x 100 mm) |
| | | Small screw | 1/4 in. (6 mm) |
| Drill chuck capacity | | Maximum gripping diameter 1/2 in. (13 mm) | |
| Battery* | Model | BSL36B18 | |
| | Type | Li-ion battery | |
| | Voltage | DC 36 V / 18 V | |
| Weight | | 6.6 lbs. (3.0 kg) | 6.6 lbs. (3.0 kg) |

* Existing batteries (BSL3660/3626/3620, BSL18xx and BSL14xx series, etc.) cannot be used with this tool.

2. Battery Charger

| | |
|--|------------------------------|
| Model | UC18YSL3 |
| Input power source | Single phase: AC 120 V 60 Hz |
| Charging time (At a temperature of 68°F (20°C)) | BSL36B18 : Approx. 52 min |
| Charging voltage | DC 14.4 – 18 V |
| Charging current | DC 8.0 A |
| Weight | 1.3 lbs. (0.6 kg) |

ASSEMBLY AND OPERATION

APPLICATIONS

<DV36DA>

- Use as a hammer drill
Drilling of soft bricks and concrete blocks.

<DS36DA / DV36DA>

- Use as a drill
Drilling of soft steel, wood, plastic and aluminum materials.
- Use as a screwdriver
Tightening and loosening of machine screws, wood screws and tapping screws.

REMOVAL AND INSTALLATION METHOD OF BATTERY

- How to install the battery.
Align the battery with the groove in tool handle and slip it into place.
Always insert it all the way until it locks in place with a little click. If not, it may accidentally fall out of the tool, causing injury to you or someone around you (Fig. 4).
- How to remove the battery.
Withdraw battery from the tool handle while pressing the latch (2 pcs) of the battery (Fig. 5).

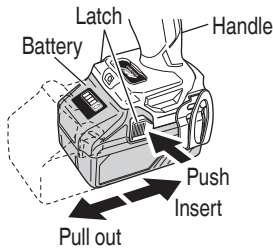


Fig. 5

CHARGING METHOD

NOTE

Before plugging into the receptacle, make sure the following points.

- The power source voltage is stated on the nameplate.
- The cord is not damaged.

⚠ WARNING

Do not charge at voltage higher than indicated on the nameplate.

If charged at voltage higher than indicated on the nameplate, the charger will burn up.

1. Connect the charger's power cord to a receptacle.
When the power cord is connected, the charger's pilot lamp will blink in red. (At 1-second intervals)



⚠ WARNING

Do not use the electrical cord if damaged. Have it repaired immediately.

2. Insert the battery to the battery charger.
Insert the battery into the battery charger as shown in Fig. 6.

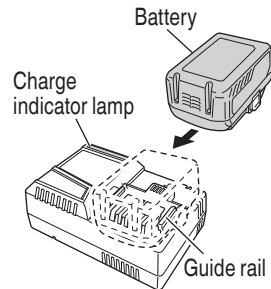









Fig. 6

3. Charging
When inserting a battery in the charger, the charge indicator lamp will blink in blue.
When the battery becomes fully recharged, the charge indicator lamp will light up in green. (See Table 2)
- (1) Charge indicator lamp indication
The indications of the charge indicator lamp will be as shown in Table 2, according to the condition of the battery charger or the battery.

Table 2

| Indications of the charge indicator lamp | | | | |
|---|---------------------|-------------------|--|---|
| Charge indicator lamp (RED / BLUE / GREEN / PURPLE) | Before charging | Blinks (RED) | Lights for 0.5 seconds. Does not light for 0.5 seconds. (off for 0.5 seconds)  | Plugged into power source |
| | While charging | Blinks (BLUE) | Lights for 0.5 seconds. Does not light for 1 second. (off for 1 second)  | Battery capacity at less than 50% |
| | | Blinks (BLUE) | Lights for 1 second. Does not light for 0.5 seconds. (off for 0.5 seconds)  | Battery capacity at less than 80% |
| | | Lights (BLUE) | Lights continuously  | Battery capacity at more than 80% |
| | Charging complete | Lights (GREEN) | Lights continuously  (Continuous buzzer sound: about 6 seconds) | |
| | Overheat standby | Blinks (RED) | Lights for 0.3 seconds. Does not light for 0.3 seconds. (off for 0.3 seconds)  | Battery overheated. Unable to charge. (Charging will commence when battery cools) |
| | Charging impossible | Flickers (PURPLE) | Lights for 0.1 seconds. Does not light for 0.1 seconds. (off for 0.1 seconds)  (Intermittent buzzer sound: about 2 seconds) | Malfunction in the battery or the charger |

- (2) Regarding the temperature of the rechargeable battery.
The temperatures for rechargeable batteries are as shown in the Table 3, and batteries that have become hot should be cooled for a while before being recharged.

Table 3

| Rechargeable batteries | Temperatures at which the battery can be recharged |
|------------------------|--|
| BSL36B18 | 32°F – 122°F (0°C – 50°C) |

- (3) Regarding recharging time (At 68°F (20°C))

Table 4 Charging time

| Charger Battery | UC18YSL3 |
|--------------------|-----------------|
| BSL36B18 | Approx. 52 min. |

NOTE

The recharging time may vary according to the ambient temperature.

4. Disconnect battery charger from the receptacle.

**CAUTION**

Do not pull the plug out of the receptacle by pulling on the cord.

Make sure to grasp the plug when removing from receptacle to avoid damaging cord.

5. Remove the battery from the battery charger.
Supporting the battery charger with hand, pull out the battery from the battery charger.

NOTE

Be sure to pull out the battery from the battery charger after use, and then keep it.

Regarding electric discharge in case of new batteries, etc.

As the internal chemical substance of new batteries and batteries that have not been used for an extended period is not activated, the electric discharge might be low when using them the first and second time. This is a temporary phenomenon, and normal time required for recharging will be restored by recharging the batteries 2 – 3 times.

How to make the batteries perform longer

- (1) Recharge the batteries before they become completely exhausted.
When you feel that the power of the tool becomes weaker, stop using the tool and recharge its battery. If you continue to use the tool and exhaust the electric current, the battery may be damaged and its life will become shorter.
- (2) Avoid recharging at high temperatures.
A rechargeable battery will be hot immediately after use. If such a battery is recharged immediately after use, its internal chemical substance will deteriorate, and the battery life will be shortened. Leave the battery and recharge it after it has cooled for a while.

⚠ CAUTION

- **When the battery charger has been continuously used, the battery charger will be heated, thus constituting the cause of the failures. Once the charging has been completed, give 15 minutes rest until the next charging.**
- **If the battery is charged while it is heated because it has been left for a long time in a location subject to direct sunlight or because the battery has just been used, the charge indicator lamp of UC18YSL3 charger lights for 0.3 seconds, does not light for 0.3 seconds (off for 0.3 seconds). In such a case, first let the battery cool, then start charging.**
- **When the pilot lamp or charge indicator lamp flickers (at 0.2-second intervals), check for and take out any foreign objects in the charger's battery installation hole. If there are no foreign objects, it is probable that the battery or charger is malfunctioning. Take it to your authorized Service Center.**

HOW TO RECHARGE USB DEVICE

When an unexpected problem occurs, the data in a USB device connected to this product may be corrupted or lost. Always make sure to back up any data contained in the USB device prior to use with this product.

Please be aware that our company accepts absolutely no responsibility for any data stored in a USB device that is corrupted or lost, nor for any damage that may occur to a connected device.

⚠ WARNING

- **Prior to use, check the connecting USB cable for any defect or damage.**
Using a defective or damaged USB cable can cause smoke emission or ignition.
- **When the product is not being used, cover the USB port with the rubber cover.**
Buildup of dust etc. in the USB port can cause smoke emission or ignition.

NOTE

- The time required for charging will be longer when a USB device and battery are being simultaneously charged.
 - There may be an occasional pause during USB recharging.
 - When a USB device is not being charged, turn the USB power switch OFF and remove the USB device from the charger.
Failure to do so may not only reduce the battery life of a USB device, but may also result in unexpected accidents.
- (1) Select a charging method
Depending on the charge method selected, either the battery is inserted into the charger or the power cord is plugged into an outlet.
 - Charging a USB device by battery (Fig. 7-a)
 - Charging a USB device from a electrical outlet (Fig. 7-b)
 - Charging a USB device and battery from a electrical outlet (Fig. 7-c)

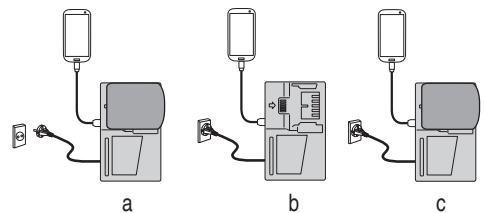


Fig. 7

- (2) Turn the USB power switch ON (Fig. 8)
When you turn the USB power switch ON, the USB power indicator lamp will light up.

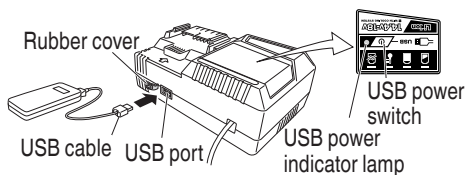


Fig. 8

- (3) Connect the USB cable. (Fig. 8)
Pull back the rubber cover and firmly plug in a commercially available USB cable (appropriate to the device being charged) into the USB port.

 - When the power cord is not plugged into an outlet and the battery runs out of power, power output will stop and the USB power indicator lamp will shut off.
 - When the USB power indicator lamp goes out, change the battery or plug the power cord into an electrical outlet.

- (4) When charging is completed
 - The USB power indicator lamp will not go out when a USB device has been completely charged. To verify charge status, check the USB device.
 - Turn the USB power switch OFF and unplug the power cord from the electrical outlet. (Fig. 8)
 - Remove the battery from the charger and place the rubber cover over the USB port.

BEFORE USE

Check the work area to make sure that it is clear of debris and clutter.

Clear the area of unnecessary personnel. Ensure that lighting and ventilation is adequate.

OPERATION

1. Mounting and dismounting of the bit.

- (1) Mounting the bit.

Loosen the sleeve by turning it toward the left (in the counterclockwise direction as viewed from the front) to open the clip on the keyless chuck. After inserting a driver bit, etc., into the keyless drill chuck, and tighten the sleeve by turning it toward the right (in the clockwise direction as viewed from the front). (See Fig. 9).

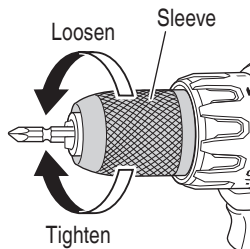


Fig. 9

NOTE

If the sleeve becomes loose during operation, tighten it further.

The tightening force becomes stronger when the sleeve is tightened.

- (2) Dismounting the bit

Loosen the sleeve by turning it toward the left (in the counterclockwise direction as viewed from the front), and then take out the bit etc. (See Fig. 9)

NOTE

- If the sleeve is tightened in a state where the clip of the keyless chuck is opened to a maximum limit, a click noise may occur. This is the noise that occurs when the loosening of the keyless chuck is prevented and is not a malfunction.
- When it is no longer possible to loosen the sleeve, use a vise or similar instrument to secure the bit. Set the clutch mode between 1 and 11 and then turn the sleeve to the loose side (left side) while operating the clutch. It should be easy now to loosen the sleeve.

2. Confirm that the battery is mounted correctly.
3. Installing/Removing the side handle. (Fig. 10)

⚠ WARNING

When using the tool, make sure the side handle is attached and firmly secured.

If not firmly secured, the tool may jerk out of position when overburdened, resulting in injury.

- (1) Remove the rubber cap and attach the side handle. (1, 2, 3)
 - (2) Loosen the grip to remove the side handle. (4)
- Attach the rubber cap to the protruding portion of the side handle (5)

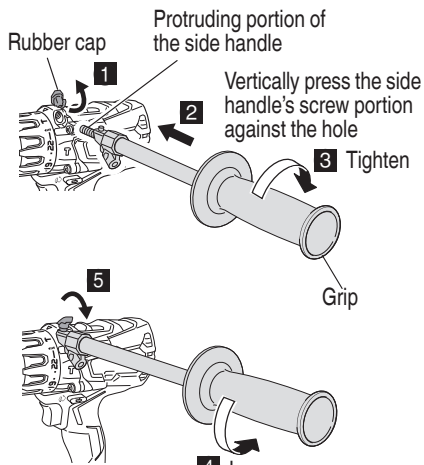


Fig. 10

4. Check the rotational direction.
 The bit rotates clockwise (viewed from the rear side) by pushing the R-side of the selector button.
 The L-side of the selector button is pushed to turn the bit counterclockwise (See Fig. 11).
 (The (L) and (R) marks are provided on the body.)

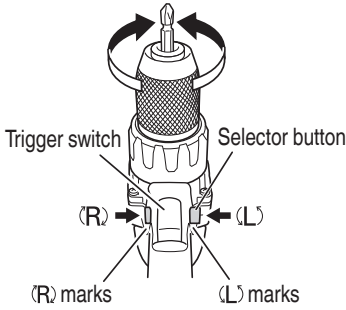


Fig. 11

- CAUTION**
 The push button can not be switched while the power tool is turning. To switch the push button, stop the power tool, then set the push button.

5. Change rotation speed.

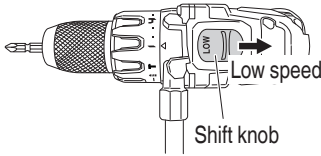


Fig. 12

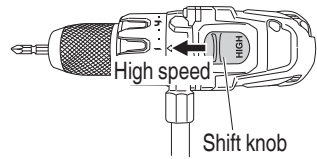


Fig. 13

Operate the shift knob to change the rotational speed. Move the shift knob in the direction of the arrow (See Figs. 12 and 13).
 When the shift knob is set to "LOW", the drill rotates at a low speed. When set to "HIGH", the drill rotates at a high speed.

- CAUTION**
- When changing the rotational speed with the shift knob, confirm that the switch is off. Changing the speed while the motor is rotating will damage the gears.
 - When a large force is required for operation (operations indicated in the following chart) set the shift knob to "LOW". If "HIGH" is set and the unit is used, it may cause the motor to burn out or malfunction prematurely.

6. The scope and suggestions for uses
 The usable scope for various types of work based on the mechanical structure of this unit is shown in Table 5.

Table 5

| Work | | Cap position | Suggestions |
|------------------|----------------|--------------|---|
| Drilling | Brick (DV36DA) | | Use for drilling purpose. |
| | Wood | | Use for drilling purpose. |
| | Steel | | |
| | Aluminum | | |
| Screw tightening | Small screw | 1 - 22 | Use the bit and socket matching the screw diameter. |
| | Wood screw | 1 - | Use after drilling a pilot hole. |

7. Confirm the clutch dial position (See Fig. 14).
<DS36DA>

The tightening torque of this unit can be adjusted according to the clutch dial position, at which the clutch dial is set.

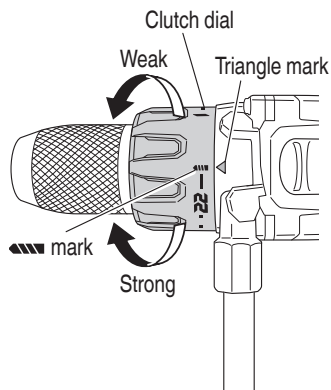


Fig. 14

- (1) When using this unit as a screwdriver, line up the one of the numbers "1, 4, 7 ... 22" on the clutch dial, or the dot, with the triangle mark on the outer body.
- (2) When using this unit as a drill, line up the clutch dial drill mark "▲▲▲" with the triangle mark on the outer body.

⚠ CAUTION

- The clutch dial cannot be set between the numbers "1, 4, 7 ... 22" or the dot.
- Do not use with the clutch dial set at the line between the number "22" and the drill mark "▲▲▲". Doing so may cause damage (See Fig. 15).

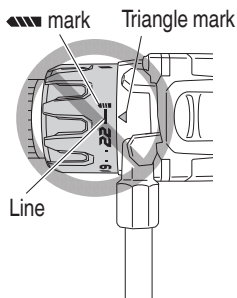


Fig. 15

- <DV36DA> (Fig. 16)

The three modes of screwdriver, drill and hammer drill can be switched by the position of the clutch dial in this unit.

- (1) When using this unit as a screwdriver, line up the one of the numbers "1, 4, 7 ... 22" on the clutch dial, or the dot, with the triangle mark on the outer body.
- (2) When using this unit as a drill, line up the clutch dial drill mark "▲▲▲" with the triangle mark on the outer body.
- (3) When using this unit as a hammer drill, align the clutch dial hammer mark "T" with the triangle mark on the outer body.

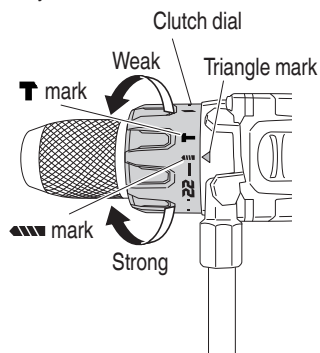


Fig. 16

⚠ CAUTION

- The clutch dial cannot be set between the number "1, 4, 7 ... 22" or the dot.
- Do not use with the clutch dial number at "22" and the line at the middle of the drill mark "▲▲▲". Doing so may cause damage. (See Fig. 17)

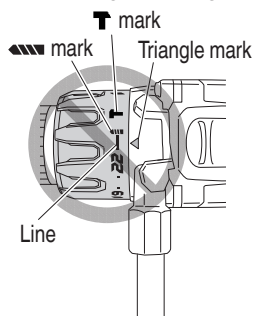


Fig. 17

8. Rotation to Hammer changeover (DV36DA)
The "Rotation (Rotation only)" and "Hammer (Hammer + Rotation)" can be switched by aligning the drill mark "▲▲▲" or the hammer mark "T" with the triangle mark on the outer body.

- To make holes in the metal, wood or plastic, switch to “Rotation (Rotation only)”.
- To make holes in the bricks or concrete blocks, switch to “Hammer (Hammer + Rotation)”.

⚠ CAUTION

Do not use the Cordless hammer drill in the “Hammer” setting if the material can be bored by rotation only. Such action will not only reduce drill efficiency, but may also damage the drill tip.

9. Tightening torque adjustment.
 - (1) Tightening torque
Tightening torque should correspond in its intensity to the screw diameter. When too strong power is used, the screw head may be broken or be injured. Be sure to adjust the clutch dial position according to the screw diameter.
 - (2) Tightening torque indication (See Fig. 14, 16)
The tightening torque differs depending on the type of screw and the material being tightened. The unit indicates the tightening torque with the numbers “1, 4, 7 ... 22” on the clutch dial, and a dot. The tightening torque at position “1” is the weakest and the torque is strongest at the highest number.
 - (3) Adjusting the tightening torque (See Fig. 14, 16)
Rotate the clutch dial and line up the numbers “1, 4, 7, ... 22” on the clutch dial, or the dot, with the triangle mark on the outer body. Adjust the clutch dial in the weak or the strong torque direction according to the torque you need.
10. Switch operation
 - When the trigger switch is depressed, the tool rotates. When the trigger is released, the tool stops. When releasing the trigger of the switch, the brake will be applied for immediate stopping.
 - The rotational speed of the drill can be controlled by varying the amount that the trigger switch is pulled. Speed is low when the trigger switch is pulled slightly and increases as the trigger switch is pulled more.

11. For drilling into brick (DV36DA)
Excessive pressing force never increases drilling speed. It will not only damage the drill tip or reduce working efficiency, but could also shorten the service life of drill bit. Operate the hammer drill within 10-20 kg pressing force while drilling into brick.

⚠ CAUTION

- The motor rotation may be locked to cease while the unit is used as drill. While operating the driver drill, take care not to lock the motor.
- If the motor is locked, immediately turn the power off. If the motor is locked for a while, the motor or battery may be burnt.
- Too long hammering may cause the screw broken due to excessive tightening.

12. How to select tightening torque and rotational speed





⚠ CAUTION

- The selection examples shown in Table 6 should be considered as general standard. As different types of tightening screws and different materials to be tightened are used in actual works proper adjustments are naturally necessary.
- When using the driver drill/hammer drill with a machine screw at HIGH (high speed), a screw may damage or a bit may loose due to the tightning torque is too strong. Use the driver drill/hammer drill at LOW (low speed) when using a machine screw.

NOTE

The use of the battery in a cold condition (below 0 degree Centigrade) can sometimes result in the weakened tightening torque and reduced amount of work. This, however, is a temporary phenomenon, and returns to normal when the battery warms up.

Table 6

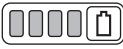





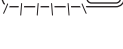
| Use | | Cap Position | Rotating speed selection (Position of the shift knob) | |
|------------------|----------------|---|---|--|
| | | | LOW (Low speed) | HIGH (High speed) |
| Screw tightening | Machine screw | 1 – 22 | For 1/4 in. (6 mm) or smaller diameter screws. | For 1/4 in. (6 mm) or smaller diameter screws. |
| | Wood screw | 1 –  | For 15/32 in. (12 mm) or smaller nominal diameter screws. | For 1/4 in. (6 mm) or smaller nominal diameter screws. |
| Drilling | Brick (DV36DA) |  | For 25/32 in. (20 mm) or smaller diameters. | For 1/2 in. (13 mm) or smaller diameters. |
| | Wood |  | For 4-1/32 in. (102 mm) or smaller diameters. | For 1-1/2 in. (38 mm) or smaller diameters. |
| | Metal |  | — | For drilling with a metal working drill bit. |

13. Remaining battery indicator

You can check the battery's remaining capacity by pressing the remaining battery indicator switch to light the indicator lamp. (Fig. 18, Table 7)

The indicator will shut off approximately 3 seconds after the remaining battery indicator switch is pressed. It is best to use the remaining battery indicator as a guide since there are slight differences such as ambient temperature and the condition of the battery. Also, the remaining battery indicator may vary from those equipped to a tool or charger.

Table 7

| State of lamp | Battery Remaining Power |
|---|---|
|  | Lights ; The battery remaining power is over 75% |
|  | Lights ; The battery remaining power is 50% – 75%. |
|  | Lights ; The battery remaining power is 25% – 50%. |
|  | Lights ; The battery remaining power is less than 25% |
|  | Blinks ; The battery remaining power is nearly empty. Recharge the battery soonest possible |
|  | Blinks ; Output suspended due to high temperature. Remove the battery from the tool and allow it to fully cool down. |
|  | Blinks ; Output suspended due to failure or malfunction. The problem may be the battery so please contact your dealer. |

As the remaining battery indicator shows somewhat differently depending on ambient temperature and battery characteristics, read it as a reference.

Remaining battery indicator lamp Remaining battery indicator switch

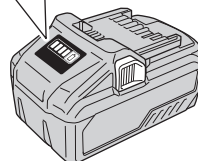
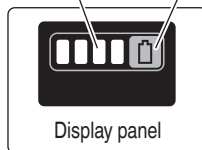


Fig. 18

NOTE

Do not give a strong shock to the display panel or break it. It may lead to a trouble.

14. How to use the LED light

While the switch is pulled, the LED light will automatically light up the tip portion of the tool. (Fig. 19)

The LED light will automatically turn off 10 seconds after the switch is released.

The LED light also functions as a warning signal that lights up during use.

For details, see "17. LED light warning signals".

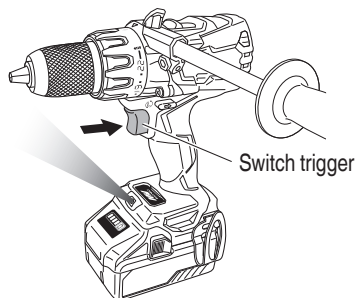


Fig. 19

CAUTION

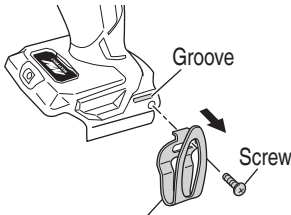
- Do not expose directly your eye to the light by looking into the light. If your eye is continuously exposed to the light, your eye will be hurt.
- Wipe off any dirt or grime attached to the lens of the LED light with a soft cloth, being careful not to scratch the lens. Scratches on the lens of the LED light can result in decreased brightness.

15. Using the hook
The hook is used to hang up the power tool to your waist belt while working.

⚠ CAUTION

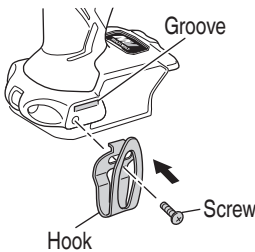
- **When using the hook, hang up the power tool firmly not to drop accidentally. If the power tool is dropped, it may lead to an accident.**
- **When electing to carry the tool hooked to your hip belt, make sure to detach the tool bit and side handle. Failure to do so may result in unexpected injury.**
- **Install securely the hook. Unless the hook is securely installed, it may cause an injury while using.**

- (1) Removing the hook.
Remove the screws fixing the hook with Philips screw driver. (Fig. 20)



Hook
Fig. 20

- (2) Replacing the hook and tightening the screws.
Install securely the hook in the groove of power tool and tighten the screws to fix the hook firmly. (Fig. 21)



Hook
Fig. 21

16. Reactive force control
This product features a reactive force control (RFC) to minimize the danger of twisting the operator's arms when tool itself suddenly jerks during operation. When the tool bit is suddenly overburdened, the tool itself may react to the motor's force and twist in the opposite direction of the motor's rotation, which could result in injury. (Fig. 22)
When the tool's built-in control detects a reactive force, it stops the motor's output before the entire tool jerks to lessen the twisting of the operator's arms. When this function activates, it will be indicated by the LED light blinking (0.1-second blinks/off 0.5 seconds) while the switch is pulled. (See "17. LED light warning signals")
However, as the function may not activate depending on situations or conditions during operation, so care should be taken to avoid any sudden overburdening of the tool bit when operating the tool.

- Possible causes of sudden overburdening
 - ① Tool bit biting into material
 - ② Impact against nails, metal or other hard objects
 - ③ Tasks involving prying or any excess application of pressure, etc.

Also, other causes include any combination of the aforementioned.

- When the reactive force control (RFC) is triggered
When the RFC is triggered and the motor stops, turn off the tool's switch and remove the cause of the overburdening before continuing operation.

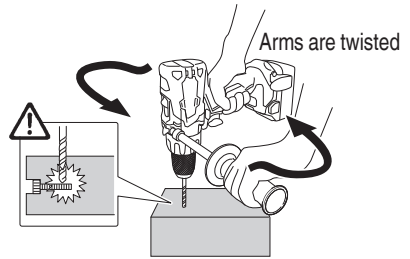


Fig. 22

17. LED light warning signals (Fig. 23)

This product features functions that are designed to protect the tool itself as well as the battery. While the switch is pulled, if any of the safeguard functions activate during operation, the LED light will blink as described in Table 8. When any of the safeguard functions are triggered, immediately remove your finger from the switch and follow the instructions described under corrective action.

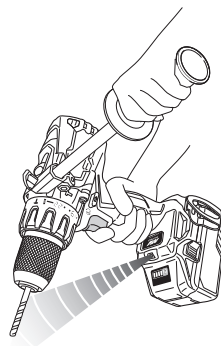





Fig. 23

Table 8

| Safeguard Function | LED Light Display | Corrective Action |
|------------------------|---|--|
| Overburden Protection | On 0.1 second/off 0.1 second  | If the operating with the shift knob set on HIGH, adjust to LOW and continue operation. Remove the cause of the overburdening. |
| Reactive Force Control |  | Remove the cause of the overburdening. When operating the tool, firmly hold the tool to make sure it doesn't jerk. |
| Temperature Protection | On 0.5 second/off 0.5 second  | Allow the tool and battery to thoroughly cool. |

OPERATIONAL CAUTIONS

Resting the unit after continuous work

- (1) The power tool is equipped with a temperature protection circuit to protect the motor. Continuous bolt-tightening work may cause the temperature of the unit to rise, activating the temperature protection circuit and automatically stopping operation. If this happens, allow the power tool to cool before resuming use.
- (2) After use for continuous tightening wood screw works, rest the unit for 15 minutes or so when replacing the battery. The temperature of the motor, switch, etc., will rise if the work is started again immediately after battery replacement, eventually resulting in burnout.

MAINTENANCE AND INSPECTION

⚠ CAUTION: Pull out battery before doing any inspection or maintenance.

1. Checking the condition of the bit
The bits should be checked regularly. If worn or broken bits can slip or decrease the efficiency of the motor and burn it out.
Replace worn bits with new ones.

⚠ CAUTION
If you use a driver bit of which point is worn or broken, it will be dangerous since it slips. So replace it with a new one.

2. Check the Screws
Loose screws are dangerous. Regularly inspect them and make sure they are tight.

⚠ CAUTION
Using this power tool with loosened, screws is extremely dangerous.

3. Check for Dust
Dust may be removed with a soft cloth or a cloth dampened with soapy water.
Do not use bleach, chlorine, gasoline or thinner, for they may damage the plastics.
4. Inspection of terminals (tool and battery)
Check to make sure that swarf and dust have not collected on the terminals.
On occasion check prior, during and after operation.

⚠ CAUTION
Remove any swarf or dust which may have collected on the terminals.
Failure to do so may result in malfunction.

5. Disposal of the exhausted battery

⚠ WARNING
Do not dispose of the exhausted battery. The battery must explode if it is incinerated. The product that you have purchased contains a rechargeable battery. The battery is recyclable. At the end of it's useful life, under various state and local laws, it may be illegal to dispose of this battery into the municipal waste stream. Check with your local solid waste officials for details in your area for recycling options or proper disposal.

6. Storage
Storing in a place below 104°F (40°C) and out of the reach of children.

NOTE

Storing lithium-ion batteries
Make sure the lithium-ion batteries have been fully charged before storing them.

Prolonged storage (3 months or more) of batteries with a low charge may result in performance deterioration, significantly reducing battery usage time or rendering the batteries incapable of holding a charge.

However, significantly reduced battery usage time may be recovered by repeatedly charging and using the batteries two to five times.

If the battery usage time is extremely short despite repeated charging and use, consider the batteries dead and purchase new batteries.

7. Service and repairs
All quality power tools will eventually require servicing or replacement of parts because of wear from normal use. To assure that only authorized replacement parts will be used, all service and repairs must be performed by a metabo HPT AUTHORIZED SERVICE CENTER, ONLY.

⚠ CAUTION
In the operation and maintenance of power tools, the safety regulations and standards prescribed in each country must be observed.

Important notice on the batteries for the metabo HPT cordless power tools

Please always use one of our designated genuine batteries. We cannot guarantee the safety and performance of our cordless power tool when used with batteries other than these designated by us, or when the battery is disassembled and modified (such as disassembly and replacement of cells or other internal parts).

TROUBLESHOOTING GUIDE

⚠ WARNING

- To avoid injury from an accidental start, turn the switch OFF and remove the plug from the power source or remove the battery from the main body before making any adjustments.
- All electrical or mechanical repairs should be done only by qualified service technicians. Contact metabo HPT Authorized Service Center.

1. Power tool

| Symptom | Possible cause | Remedy |
|--|---|---|
| Tool doesn't run | No remaining battery power | Charge the battery. |
| | Battery isn't securely attached. | Push in the battery until a click is heard. |
| Tool suddenly stopped | Tool was overburdened | Remove the cause of the overburdening. See "Reactive force control". |
| | Reactive force control was activated | |
| | Battery or tool overheated | Allow the tool and battery to thoroughly cool. |
| Tool bits -can't be attached -fall off | The shape of the attachment portion doesn't match | The chucking diameter of the keyless chuck is 1/16 in (1.5 mm) to 1/2 in (13 mm). Use a bit that falls within the stated range. |
| | The lock of the keyless chuck is worn | Contact a metabo HPT Authorized Service Center and arrange to have the old keyless chuck replaced with a new one. |
| Switch can't be pulled | Forward/reverse selector button is positioned halfway | Press the button firmly into position for the desired direction of rotation. |
| Screw head slips or comes loose. | Bit number doesn't match with the screw size | Install a suitable bit. |
| | The bit is worn | Replace with a new bit. |
| Holes can't be smoothly drilled. | The drill is worn | Replace with a new drill. |
| | Rotation speed isn't appropriate | Adjust the rotation speed (HIGH/LOW) to match the material to be drilled. |
| | The drill is rotating in reverse | Switch to forward rotation. |
| Battery cannot be installed | Attempting to install a battery other than that specified for the tool. | Please install a multi volt type battery. |

2. Charger

| Symptom | Possible cause | Remedy |
|---|---|----------------------------|
| The charge indicator lamp is rapidly flickers purple, and battery charging doesn't begin. | The battery is not inserted all the way. | Insert the battery firmly. |
| | There is foreign matter in the battery terminal or where the battery is attached. | Remove the foreign matter. |

| Symptom | Possible cause | Remedy |
|--|---|---|
| The charge indicator lamp blinks red, and battery charging doesn't begin. | The battery is not inserted all the way. | Insert the battery firmly. |
| | The battery is overheated. | If left alone, the battery will automatically begin charging if its temperature decreases, but this may reduce battery life. It is recommended that the battery be cooled in a well-ventilated location away from direct sunlight before charging it. |
| Battery usage time is short even though the battery is fully charged. | The battery's life is depleted. | Replace the battery with a new one. |
| The battery takes a long time to charge. | The temperature of the battery, the charger, or the surrounding environment is extremely low. | Charge the battery indoors or in another warmer environment. |
| | The charger's vents are blocked, causing its internal components to overheat. | Avoid blocking the vents. |
| | The cooling fan is not running. | Contact a metabo HPT Authorized Service Center for repairs. |
| The USB power lamp has switched off and the USB device has stopped charging. | The battery's capacity has become low. | Replace the battery with one that has capacity remaining. |
| | | Plug the charger's power plug into an electric socket. |
| USB power lamp does not switch off even though the USB device has finished charging. | The USB power lamp lights up green to indicate that USB charging is possible. | This is not a malfunction. |
| It is unclear what the charging status of a USB device is, or whether its charging is complete. | The USB power lamp does not switch off even when charging is complete. | Examine the USB device that is charging to confirm its charging status. |
| Charging of a USB device pauses midway. | The charger was plugged into an electrical socket while the USB device was being charged using the battery as the power source. | This is not a malfunction. The charger pauses USB charging for about 5 seconds when it is differentiating between power sources. |
| | A battery was inserted into the charger while the USB device was being charged using a power socket as the power source. | |
| Charging of the USB device pauses midway when the battery and the USB device are being charged at the same time. | The battery has become fully charged. | This is not a malfunction. The charger pauses USB charging for about 5 seconds while it checks whether the battery has successfully completed charging. |
| Charging of the USB device doesn't start when the battery and the USB device are being charged at the same time. | The remaining battery capacity is extremely low. | This is not a malfunction. When the battery capacity reaches a certain level, USB charging automatically begins. |

ACCESSORIES

⚠ WARNING

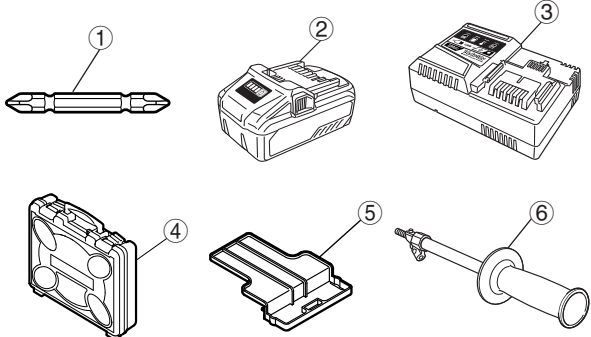
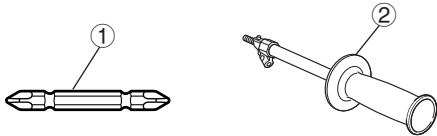
ALWAYS use Only authorized metabo HPT replacement parts and accessories. Never use replacement parts or accessories which are not intended for use with this tool. Contact metabo HPT if you are not sure whether it is safe to use a particular replacement part or accessory with your tool.

The use of any other attachment or accessory can be dangerous and could cause injury or mechanical damage.

NOTE

Accessories are subject to change without any obligation on the part of the metabo HPT.

STANDARD ACCESSORIES

| | |
|--------------------------------------|--|
| DS36DA DV36DA (2WCK) |  <p> ① Phillips bit (No. 2 × 65L) (Code No. 983006)..... 1 ② Battery (BSL36B18) 2 ③ Battery Charger (UC18YSL3)..... 1 ④ Plastic Case (Code No. 339778)..... 1 ⑤ Battery cover (Code No. 329897) 1 ⑥ Side Handle (Code No. 339770) 1 </p> |
| DS36DA (NN) DV36DA (NN) |  <p> ① Phillips bit (No. 2 × 65L) (Code No. 983006)..... 1 ② Side Handle (Code No. 339770) 1 </p> |

OPTIONAL ACCESSORIES.....sold separately

- Battery (BSL36B18)

NOTE

Specifications are subject to change without any obligation on the part of the metabo HPT.

INFORMATIONS IMPORTANTES DE SÉCURITÉ

Lire et comprendre toutes les précautions de sécurité, les avertissements et les instructions de fonctionnement dans ce mode d'emploi avant d'utiliser ou d'entretenir cet outil motorisé.

La plupart des accidents causés lors de l'utilisation ou de l'entretien de l'outil motorisé proviennent d'un non respect des règles ou précautions de base de sécurité. Un accident peut la plupart du temps être évité si l'on reconnaît une situation de danger potentiel avant qu'elle ne se produise, et en observant les procédures de sécurité appropriées.

Les précautions de base de sécurité sont mises en évidence dans la section "SECURITE" de ce mode d'emploi et dans les sections qui contiennent les instructions de fonctionnement et d'entretien.

Les dangers qui doivent être évités pour prévenir des blessures corporelles ou un endommagement de la machine sont identifiés par AVERTISSEMENTS sur l'outil motorisé et dans ce mode d'emploi.

NE JAMAIS utiliser cet outil motorisé d'une manière qui n'est pas spécifiquement recommandée par metabo HPT.

SIGNIFICATION DES MOTS D'AVERTISSEMENT

AVERTISSEMENT indique des situations potentiellement dangereuses qui, si elles sont ignorées, pourraient entraîner la mort ou de sérieuses blessures.

PRECAUTION indique des situations dangereuses potentielles qui, si elles ne sont pas évitées, peuvent entraîner de mineures et légères blessures ou endommager la machine.

REMARQUE met en relief des informations essentielles.

SÉCURITÉ

AVERTISSEMENTS DE SÉCURITÉ GÉNÉRAUX CONCERNANT LES OUTILS ÉLECTRIQUES

⚠ AVERTISSEMENT

Lire tous les avertissements de sécurité et toutes les instructions

Tout manquement à observer ces avertissements et instructions peut engendrer des chocs électriques, des incendies et/ou des blessures graves.

Conservez tous les avertissements et toutes les instructions pour vous y référer ultérieurement.

Le terme "outil électrique", utilisé dans les avertissements, se réfère aux outils électriques (câblé) ou aux outils à piles (sans fil).

1) Sécurité de l'aire de travail

a) Maintenir l'aire de travail propre et bien éclairée.

Les endroits encombrés ou sombres sont propices aux accidents.

b) Ne pas utiliser d'outils électriques en présence de liquides, gaz ou poussière inflammables, au risque de provoquer une explosion.

Les outils électriques créent des étincelles susceptibles d'enflammer la poussière.

c) Ne pas laisser les enfants et les visiteurs s'approcher de vous lorsque vous utiliser un outil électrique.

Les distractions peuvent faire perdre le contrôle.

2) Sécurité électrique

a) Les prises de l'outil électrique doivent correspondre à la prise secteur.

Ne jamais modifier la prise.

Ne pas utiliser d'adaptateurs avec les outils électriques mis à la masse.

Les prises non modifiées et les prises secteurs correspondantes réduisent les risques de choc électrique.

b) Éviter tout contact avec les surfaces mises à la masse telles que les tuyaux, radiateurs, bandes et réfrigérateurs.

Le risque de choc électrique est accru en cas de mise à la masse du corps.

c) Ne pas exposer les outils électriques à la pluie ou à des conditions humides.

Si l'eau pénètre dans l'outil, cela augmente les risques de choc électrique.

d) Ne pas utiliser le cordon à tort. Ne jamais utiliser le cordon pour transporter ou débrancher l'outil électrique.

Maintenir le cordon loin de la chaleur, de l'huile, des bords pointus ou des pièces mobiles.

Les cordons endommagés ou usés augmentent les risques de choc électrique.

- e) **En cas d'utilisation d'un outil électrique à l'extérieur, utiliser un cordon de rallonge adapté à un usage extérieur.**

L'utilisation d'un cordon adapté à l'usage extérieur réduit les risques de choc électrique.

- f) **Si vous devez utiliser un outil électrique dans un endroit humide, utilisez une alimentation protégée contre les courants résiduels.**

L'utilisation d'un dispositif de protection contre les courants résiduels réduit le risque de choc électrique.

3) Sécurité personnelle

- a) **Restez alerte, regarder ce que vous faites et usez de votre bon sens en utilisant un outil électrique.**

Ne pas utiliser d'outil électrique si vous êtes sous l'influence de drogues, d'alcool ou de médicaments.

Pendant l'utilisation d'outils électrique, un instant d'inattention peut entraîner des blessures graves.

- b) **Utiliser un équipement de protection individuelle. Toujours porter des verres de protection.**

L'utilisation d'équipements de protection tels que les masques anti-poussière, les chaussures de sécurité anti-dérapantes, les casques ou les protections auditives dans des conditions appropriées réduisent les risques de blessures.

- c) **Empêcher les démarrages intempestifs. Veiller à ce que l'interrupteur soit en position d'arrêt avant de brancher à une source d'alimentation et/ou une batterie, de ramasser l'outil au sol ou de le transporter.**

Transporter les outils électriques avec le doigt sur l'interrupteur ou brancher les outils électriques avec l'interrupteur en position de marche peut entraîner des accidents.

- d) **Retirer toute clé de sécurité ou clé avant de mettre l'outil électrique en marche.**

Laisser une clé ou une clé de sécurité sur une partie mobile de l'outil électrique peut engendrer des blessures.

- e) **Ne pas trop se pencher. Toujours garder une bonne assise et un bon équilibre pendant le travail.**

Cela permet un meilleur contrôle de l'outil électrique dans des situations imprévisibles.

- f) **Porter des vêtements adéquats. Ne pas porter de vêtements amples ni de bijoux. Maintenir les cheveux, les vêtements et les gants loin des pièces mobiles.**

Les vêtements amples ou les cheveux longs peuvent se prendre dans les pièces mobiles.

- g) **En cas de dispositifs destinés au raccordement d'installations d'extraction et de recueil de la poussière, veiller à ce qu'ils soient correctement raccordés et utilisés.**

L'utilisation d'un dispositif de collecte de la poussière peut réduire les dangers associés à la poussière.

4) Utilisation et entretien d'un outil électrique

- a) **Ne pas forcer sur l'outil électrique. Utiliser l'outil électrique adapté à vos travaux.**

Le bon outil électrique fera le travail mieux et en toute sécurité au régime pour lequel il a été conçu.

- b) **Ne pas utiliser l'outil électrique si l'interrupteur ne le met pas en position de marche et d'arrêt.**

Tout outil ne pouvant être contrôlé par l'interrupteur est dangereux et doit être réparé.

- c) **Débrancher la prise ou retirer la batterie avant de procéder à des réglages, au remplacement des accessoires ou au stockage des outils électriques.**

Ces mesures préventives de sécurité réduisent les risques de démarrage accidentel de l'outil électrique.

- d) **Stockez les outils électriques inutilisés hors de la portée des enfants et ne pas laisser des personnes non familiarisées avec l'outil ou ces instructions utiliser l'outil électrique.**

Les outils électriques sont dangereux entre les mains d'utilisateurs non habilités.

- e) **Entretenir les outils électriques. Vérifier l'absence de mauvais alignement ou d'arrêt, d'endommagement de pièces ou toute autre condition susceptible d'affecter l'opération de l'outil.**

Si l'outil est endommagé, le faire réparer avant utilisation.

De nombreux accidents sont dus à des outils mal entretenus.

- f) **Maintenir les outils coupants aiguisés et propres.**

Des outils coupants bien entretenus avec des bords aiguisés sont moins susceptibles de se coincer et plus simples à contrôler.

- g) **Utiliser l'outil électrique, les accessoires et les mèches de l'outil, etc. conformément à ces instructions en tenant compte des conditions d'utilisation et du travail à réaliser.**

L'utilisation de l'outil électrique pour des opérations différentes de celles pour lesquelles il a été conçu est dangereuse.

5) Utilisation et entretien de la batterie

- a) **Recharger la batterie uniquement avec le chargeur recommandé par le fabricant.**

Un chargeur inadéquat pour le type de batterie peut entraîner un risque d'incendie en cas d'utilisation avec une autre batterie.

b) Utiliser les outils électriques uniquement avec les batteries spécifiées.

L'utilisation d'autres batteries peut entraîner un risque de blessures et d'incendie.

c) Lorsque la batterie est inutilisée, la garder à l'écart d'objets métalliques comme des trombones, des pièces de monnaie, des clés, des clous, des vis ou autres petits objets métalliques pouvant raccorder les bornes.

La connexion des bornes peut entraîner des blessures ou un incendie.

d) En cas d'utilisation dans des conditions extrêmes, du liquide peut être émis de la batterie. Éviter tout contact. En cas de contact accidentel, rincer à l'eau. Si le liquide entre en contact avec les yeux, consulter un médecin.

Le liquide émis par la batterie peut entraîner des irritations et des brûlures.

6) Service

a) Faire entretenir l'outil électrique par un technicien habilité à l'aide de pièces de rechange identiques exclusivement.

Cela garantira le maintien de la sécurité de l'outil électrique.

– AVERTISSEMENT –

Pour réduire tout risque de blessure, l'utilisateur doit lire le mode d'emploi.

REGLES DE SÉCURITÉ SPÉCIFIQUES ET SYMBOLES

1. Porter des bouchons lors du forage à percussion.



L'exposition au bruit peut engendrer une perte de l'audition.

2. Utilisez les poignées auxiliaires, si fourni avec l'outil.

Toute perte de contrôle peut entraîner des blessures.

3. Tenir l'outil électrique par les surfaces isolées permettant de l'agripper pour effectuer une opération où l'accessoire de coupe peut entrer en contact avec des fils électriques masqués.

Le contact de l'accessoire de coupe avec un fil sous tension peut transmettre du courant dans les pièces métalliques exposées de l'outil et communiquer une décharge électrique à l'opérateur.

4. Tenir l'outil électrique par les surfaces isolées permettant de l'agripper pour effectuer une opération où coupe/l'attache peut entrer en contact avec des fils électriques masqués.

Le contact de l'attache avec un fil sous tension peut transmettre du courant dans les pièces métalliques exposées de l'outil et communiquer une décharge électrique à l'opérateur.

5. Ne jamais approcher les mains ni aucune autre partie du corps de la mèche ou du mandrin pendant le travail. Tenir la perceuse uniquement par sa poignée.

6. Comme l'outil sans fil fonctionne avec l'énergie de la batterie, soyez conscient du fait qu'il peut commencer à fonctionner à tout moment.

7. Lors d'un travail en position élevée, évacuer tout le monde de l'aire de travail et ne pas oublier qu'on travaille en hauteur.

8. Ne jamais toucher les parties mobiles.

Ne jamais placer ses mains, ses doigts ou toute autre partie de son corps près des parties mobiles de l'outil.

9. Ne jamais utiliser l'outil sans que tous les dispositifs de sécurité ne soient en place.

Ne jamais faire fonctionner cet outil sans que tous les dispositifs et caractéristiques de sécurité ne soient en place et en état de fonctionnement. Si un entretien ou une réparation nécessite le retrait d'un dispositif ou d'une caractéristique de sécurité, s'assurer de bien remettre en place le dispositif ou la caractéristique de sécurité avant de recommencer à utiliser l'outil.

10. Utiliser l'outil correct

Ne pas forcer sur un petit outil ou accessoire pour faire le travail d'un outil de grande puissance. Ne pas utiliser un outil pour un usage pour lequel il n'a pas été prévu: par exemple, ne pas utiliser une scie circulaire pour couper des branches d'arbre ou des bûches.

11. Ne jamais utiliser un outil motorisé pour des applications autres que celles spécifiées.

Ne jamais utiliser un outil motorisé pour des applications autres que celles spécifiées dans le mode d'emploi.

12. Manipuler l'outil correctement

Utiliser l'outil de la façon indiquée dans ce mode d'emploi. Ne pas laisser tomber ou lancer l'outil. Ne jamais permettre que l'outil soit utilisé par des enfants, des personnes non familiarisées avec son fonctionnement ou un personnel non autorisé.

13. Maintenir toutes les vis, tous les boulons et les couvercles fermement en place.

Maintenir toutes les vis, tous les boulons et les couvercles fermement montés. Vérifier leurs conditions périodiquement.

14. Ne pas utiliser les outils motorisés si le revêtement de plastique ou la poignée est fendu.

Des fentes dans le revêtement ou la poignée peuvent entraîner une électrocution. De tels outils ne doivent pas être utilisés avant d'être réparés.

15. Les lames et les accessoires doivent être fermement montés sur l'outil.

Eviter les blessures potentielles personnelles et aux autres. Les lames, les instruments de coupe et les accessoires qui ont été montés sur l'outil doivent être fixés et serrés fermement.

16. **Ne jamais utiliser un outil défectueux ou qui fonctionne anormalement.**

Si l'outil n'a pas l'air de fonctionner normalement, fait des bruits étranges ou sans cela paraît défectueux, arrêter de l'utiliser immédiatement et le faire réparer par un centre de service metabo HPT autorisé.

17. **Manipuler l'outil motorisé avec précaution.**

Si un outil motorisé tombe ou frappe un matériau dur accidentellement, il risque d'être déformé, fendu ou endommagé.

18. **Ne pas essuyer les parties en plastique avec du solvant.**

Les solvants comme l'essence, les diluants, la benzine, le tétrachlorure de carbone et l'alcool peuvent endommager et fissurer les parties en plastique. Ne pas les essuyer avec de tels solvants. Essuyer les parties en plastique avec un chiffon doux légèrement imbibé d'une solution d'eau savonneuse et sécher minutieusement.

19. Toujours porter des lunettes des protections conformes aux exigences des dernières révisions du standard ANSI Z87.1.



20. N'utilisez pas le produit si l'outil ou les bornes de la batterie (fixation de la batterie) sont déformés.

Installer la batterie peut entraîner un court-circuit qui pourrait provoquer des émissions de fumée ou une ignition.

21. Gardez les bornes de l'outil (fixation de la batterie) exemptes de copeaux et de poussière.

○ Avant toute utilisation, assurez-vous qu'aucun copeau ou poussière ne s'est accumulé sur la zone des bornes.

○ Pendant l'utilisation, essayez d'éviter que des copeaux ou de la poussière provenant de l'outil ne tombent sur la batterie.

○ Lors de la suspension de l'opération ou après l'utilisation, ne laissez pas l'outil dans un endroit où il pourrait être exposé à des copeaux ou de la poussière.

Le non-respect de cette consigne peut entraîner un court-circuit qui pourrait provoquer des émissions de fumée ou une ignition.

22. Définitions pour les symboles utilisés sur cet outil

V volts

— courant continu

No vitesse sans charge

---/min rotations ou mouvements de va-et- vient par minute

CONSIGNES DE SÉCURITÉ IMPORTANTES POUR LE CHARGEUR DE BATTERIE

⚠ AVERTISSEMENT

Une utilisation incorrecte ou dangereuse des chargeurs de batterie peut entraîner la mort ou des blessures graves.

LIRE TOUT CE MODE D'EMPLOI

1. Ce manuel renferme des consignes de sécurité et d'utilisation importantes pour le chargeur de batterie modèle UC18YSL3.
2. Avant d'utiliser le chargeur de batterie, lire toutes les étiquettes d'instruction et de précaution apposées sur (1) le chargeur de batterie, (2) la batterie, et (3) le produit utilisant la batterie.
3. Pour réduire tout risque de blessure, NE recharger QUE les batteries rechargeables metabo HPT de type BSL36B18 et de série BSL18. Les autres types de batterie pourraient exploser et provoquer des blessures ou des dommages.
4. L'utilisation d'un accessoire non recommandé ou non vendu par le fabricant du chargeur de batterie risque de provoquer un feu, une décharge électrique ou des blessures.
5. Pour réduire tout risque de dommage de la fiche et du cordon électrique, débrancher le cordon du chargeur en tirant sur la fiche.
6. Vérifier que le cordon est placé de façon que personne ne puisse marcher dessus, se prendre les pieds dedans, ni l'endommager ou le soumettre à des contraintes.
7. Ne pas utiliser de cordon de rallonge si cela n'est pas absolument nécessaire. L'utilisation d'un cordon de rallonge incorrect pourrait entraîner un feu ou une décharge électrique. Si l'on doit utiliser un cordon de rallonge, s'assurer que:
 - a. Les broches de la rallonge ont les mêmes numéro, taille et forme que celles de la fiche du chargeur ;
 - b. Le cordon de rallonge est correctement raccordé et en bon état électrique ;
 - c. Le calibre du fil doit être au moins suffisant pour l'intensité nominale CA (ampères) du chargeur de batterie spécifiées dans le tableau ci-dessous.

Tableau 1
**CALIBRE MINIMUM RECOMMANDÉ POUR LES CORDONS DE RALLONGE
 DES CHARGEURS DE BATTERIE**

| Intensité nominale d'entrée CA (ampères)* | | Calibre du cordon | | | |
|---|----------------------|--------------------------------------|---------|----------|----------|
| Egal ou supérieur à | mais non inférieur à | Longueur de cordon en pieds (mètres) | | | |
| | | 25 (7.5) | 50 (15) | 100 (30) | 150 (45) |
| 0 | 2 | 18 | 18 | 18 | 16 |
| 2 | 3 | 18 | 18 | 16 | 14 |
| 3 | 4 | 18 | 18 | 16 | 14 |

* Si l'intensité nominale d'entrée du chargeur de batterie est donnée en watts et non en ampères, calculer la capacité en ampères correspondante en divisant la capacité en ampères par la capacité de tension, par exemple:

$$\frac{1,250 \text{ watts}}{125 \text{ volts}} = 10 \text{ ampères}$$

8. Ne pas utiliser le chargeur si son cordon ou sa fiche sont endommagés - Le remplacer immédiatement.
9. Ne pas utiliser le chargeur s'il a reçu un coup, s'il est tombé ou endommagé de toute autre manière. L'apporter à un réparateur qualifié.
10. Ne pas démonter le chargeur ni le produit qui reçoit la batterie ; si un entretien ou des réparations sont nécessaires, les apporter à un réparateur qualifié. Un remontage incorrect pourrait provoquer une décharge électrique ou un feu.
11. Pour réduire tout risque de décharge électrique, débrancher le chargeur de la prise secteur avant tout entretien ou nettoyage. Il ne suffit pas de sortir la batterie.

CONSIGNES DE SÉCURITÉ IMPORTANTES POUR L'UTILISATION DE LA BATTERIE ET DU CHARGEUR DE BATTERIE

Pour pouvoir utiliser la scie circulaire à batterie, il faudra recharger la batterie. Avant d'utiliser le chargeur de batterie modèle UC18YSL3, bien lire attentivement toutes les consignes et les avertissements signalés sur le chargeur, sur la batterie ou dans ce manuel.

BIEN NOTER: UTILISER EXCLUSIVEMENT LES BATTERIES metabo HPT DE TYPE BSL36B18. LES AUTRES TYPES DE BATTERIE POURRAIENT EXPLOSER OU PROVOQUER DES BLESSURES.

Pour éviter tout risque de blessure, observer les consignes suivantes:

⚠ AVERTISSEMENT

Une utilisation incorrecte de la batterie ou du chargeur de batterie risque de provoquer des blessures. Pour éviter tout risque de blessure:

1. **NE JAMAIS** démonter la batterie.
2. **NE JAMAIS** jeter la batterie au feu, même si elle est endommagée ou complètement usée. La batterie risque d'exploser au feu.
3. **NE JAMAIS** court-circuiter la batterie.
4. **NE JAMAIS** insérer d'objets dans les ouïes d'aération du chargeur. Il pourrait en résulter un choc électrique ou des dommages du chargeur.
5. **NE JAMAIS** effectuer la recharge à l'extérieur. Eloigner la batterie des rayons directs du soleil et utiliser exclusivement dans des endroits à faible humidité et bien aérés.
6. **NE JAMAIS** effectuer la recharge si la température est inférieure à 14°F (-10°C) ou supérieure à 104°F (40°C).
7. **NE JAMAIS** raccorder deux chargeurs de batterie ensemble.
8. **NE JAMAIS** insérer de corps étrangers dans l'orifice de la batterie ou du chargeur de batterie.
9. **NE JAMAIS** utiliser de transformateur-élévateur pour la recharge.
10. **NE JAMAIS** utiliser l'alimentation CC pour charger.
11. **NE JAMAIS** ranger la batterie ou le chargeur de batterie dans un endroit où la température peut atteindre ou dépasser 104°F (40°C), comme à l'intérieur d'une boîte métallique ou d'une voiture.
12. **NE JAMAIS** exposer la batterie ou le chargeur de batterie à la pluie ou l'humidité.
13. **TOUJOURS** alimenter le chargeur sur une prise secteur domestique standard (120 volts). L'utilisation du chargeur à une autre tension peut entraîner une surchauffe et endommager le chargeur.
14. **TOUJOURS** attendre au moins 15 minutes entre deux recharges pour éviter toute surchauffe du chargeur.
15. **TOUJOURS** débrancher le cordon d'alimentation de la prise secteur lorsqu'on ne se sert pas du chargeur.

PRÉCAUTIONS RELATIVES A LA BATTERIE AU LITHIUM ION

Pour prolonger sa durée de vie, la batterie lithium-ion est équipée d'une fonction de protection qui coupe automatiquement l'alimentation.

Dans les cas 1 à 3 décrits ci-dessous, il est possible que le moteur s'arrête lorsque vous utilisez ce produit, même si vous actionnez le commutateur. Il ne s'agit pas d'un dysfonctionnement, mais du fonctionnement normal de la protection.

1. Lorsque la charge restante de la batterie diminue, le moteur s'arrête.
Dans ce cas de figure, chargez immédiatement la batterie.
2. En cas de surcharge de l'outil, actionnez le commutateur de l'outil et éliminez les causes de la surcharge. Vous pouvez ensuite recommencer à utiliser l'outil.
3. En cas de surchauffe due à un travail trop intensif, l'alimentation de la batterie peut se couper.
Dans ce cas, arrêtez toute utilisation de la batterie et laissez-la refroidir. Vous pouvez ensuite recommencer à l'utiliser.

En outre, respectez la précaution et l'avertissement suivants.

AVERTISSEMENT

Afin d'éviter toute fuite de la batterie, génération de chaleur, émission de fumée, explosion et inflammation, respectez scrupuleusement les précautions suivantes :

1. Assurez-vous que les copeaux et la poussière ne s'accumulent pas sur la batterie.
- Lorsque vous travaillez, assurez-vous que les copeaux et la poussière ne tombent pas sur la batterie.
- Assurez-vous que les copeaux et la poussière qui tombent sur l'outil lorsque vous travaillez ne s'accumulent pas sur la batterie.
- Ne conservez pas une batterie inutilisée dans un endroit qui est exposé aux copeaux et à la poussière.
- Avant de stocker une batterie, retirez tous les copeaux et la poussière qui ont pu y adhérer et ne la conservez pas avec des pièces métalliques (vis, clous, etc.).
2. Ne percez pas la batterie à l'aide d'un objet pointu tel qu'un clou. Ne la frappez pas à l'aide d'un marteau. Ne marchez pas dessus, ne la lancez pas et ne la soumettez pas un à choc physique important.
3. N'utilisez pas une batterie dont l'extérieur est déformé ou laisse penser qu'elle est défectueuse.
4. N'insérez pas la batterie à l'envers (pôles inversés).
5. Ne raccordez pas directement la batterie à une prise électrique ou à un allume-cigare.
6. N'utilisez pas la batterie à d'autres fins que celle spécifiée.

7. En cas d'échec du chargement d'une batterie, même après un certain délai, arrêtez immédiatement le rechargement.
8. N'exposez pas la batterie à des températures ou à une pression élevées (four à micro-ondes, séchoir, conteneur sous haute pression).
9. Maintenez à la batterie à l'écart de toute flamme en cas de détection d'une fuite ou d'une mauvaise odeur.
10. Ne pas utiliser à proximité d'une source puissante d'électricité statique.
11. En cas de fuite de la batterie, de mauvaise odeur, de génération de chaleur, de décoloration, de déformation ou d'anomalie en cours d'utilisation, de rechargement ou d'entreposage, ôtez immédiatement la batterie de l'équipement ou du chargeur de batterie et ne l'utilisez plus.
12. Ne plongez jamais la batterie dans de l'eau ou tout autre liquide, et ne laissez aucun liquide s'infiltrer à l'intérieur de la batterie. L'entrée de liquides conducteurs, tel que de l'eau, peut causer des dommages pouvant entraîner un incendie ou une explosion. Rangez votre batterie dans un endroit frais et sec, à l'écart d'objets combustibles et inflammables. Les atmosphères corrosives doivent être évitées.

PRECAUTION

1. En cas de projection dans les yeux de liquide ayant fuit de la batterie, ne vous frottez pas les yeux, rincez-les à l'eau claire et contactez immédiatement un médecin.
En l'absence de traitement, le liquide peut détériorer l'œil.
2. En cas de projection de liquide ayant fuit de la batterie sur votre peau ou vos vêtements, rincez immédiatement ces derniers à l'eau claire (au robinet). Le liquide peut provoquer une irritation de la peau.
3. En cas de détection de rouille, de mauvaise odeur, de surchauffe, de décoloration, de déformation et/ou autres anomalies lors de la première utilisation de la batterie, n'utilisez pas cette dernière et renvoyez-la au fournisseur ou au fabricant.

AVERTISSEMENT

Un court-circuit risque de se produire et causer un incendie, si un corps étranger conducteur d'électricité passe dans les bornes de la pile au lithium-ion. Veuillez respecter les consignes suivantes pour le rangement de la pile.

- **Ne pas mettre d'objet conducteur d'électricité, tels que clous, fil d'acier, de cuivre ou autre fil dans la mallette de rangement.**
- **Soit ranger le bloc de pile avec l'outil électrique ou de manière sécuritaire en l'enfonçant dans le couvercle jusqu'à ce que les orifices de ventilation soient dissimulés afin d'éviter les courts-circuits. (Voir la Fig. 3)**

À PROPOS DU TRANSPORT DE LA BATTERIE LITHIUM-ION

Lors du transport d'une batterie lithium-ion, veuillez observer les précautions suivantes.

⚠ AVERTISSEMENT

Informez la société de transport qu'un paquet contient une batterie lithium-ion, informez la société de sa puissance de sortie et suivez les instructions de la société de transport lors de l'organisation du transport.

- Les batteries lithium-ion qui dépassent une puissance de sortie de 100 Wh font partie de la classification de transport des produits dangereux et nécessitent l'application de procédures spéciales.

- Pour un transport vers l'étranger, vous devez vous conformer aux lois internationales et aux normes et réglementations en vigueur dans le pays de destination.
- Si le BSL36B18 est installé dans l'outil électrique, la puissance utile dépassera 100 Wh et l'appareil sera classé comme Produits dangereux pour la classification fret transporté.



Fig. 1

**CONSERVER CES INSTRUCTIONS
ET
LES METTRE A LA DISPOSITION DES AUTRES
UTILISATEURS
ET
PROPRIETAIRES DE CET OUTIL!**

DESCRIPTION FONCTIONNELLE

REMARQUE

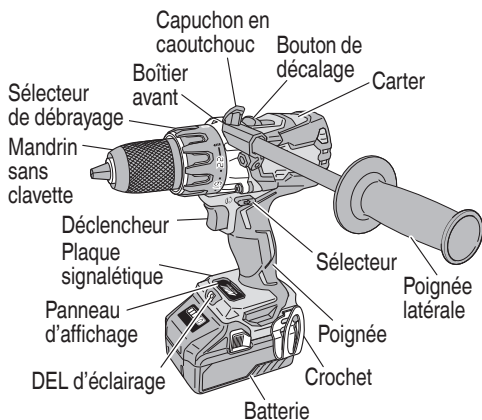
Les informations contenues dans ce mode d'emploi sont conçues pour assister l'utilisateur dans une utilisation sans danger et un entretien de l'outil motorisé.

NE JAMAIS utiliser ni entreprendre une révision de l'outil sans avoir d'abord lu et compris toutes les instructions de sécurité contenues dans ce manuel.

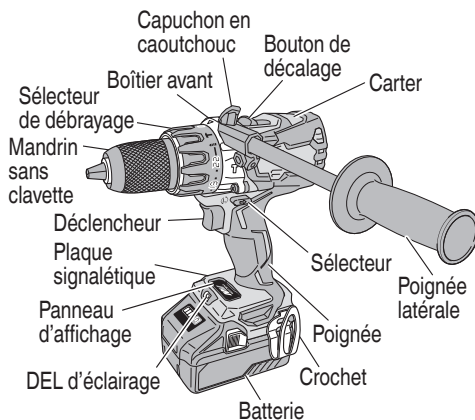
Certaines illustrations dans ce mode d'emploi peuvent montrer des détails ou des accessoires différents de ceux de l'outil motorisé utilisé.

NOM DES PARTIES

1. Perceuse-visseuse sans fil / Perceuse à percussion sans fil (DS36DA / DV36DA)



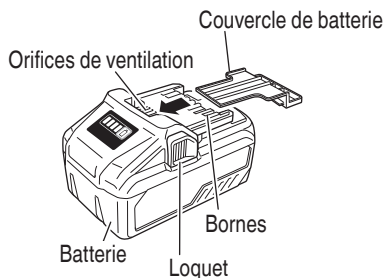
<DS36DA>



<DV36DA>

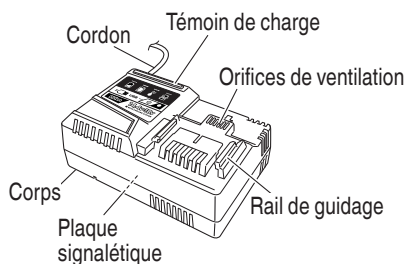
Fig. 2

2. Batterie



<BSL36B18>
Fig. 3

3. Chargeur de batterie



<UC18YSL3>
Fig. 4

SPECIFICATIONS
1. Perceuse-visseuse sans fil / Perceuse à percussion sans fil

| | | | |
|---------------------|---------|---|---|
| Modèle | | DS36DA | DV36DA |
| Moteur | | Moteur CC | |
| Vitesse à vide | Bas | 0 – 500 /min | 0 – 500 /min |
| | Haut | 0 – 2,100 /min | 0 – 2,100 /min |
| Capacité | Perçage | Brique (Profondeur 1-1/4 po. (30 mm)) | 25/32 po. (20 mm) |
| | | Bois (Épaisseur 11/16 po. (18 mm)) | 4-1/32 po. (102 mm) (Bois résineux) |
| | | Métal (Épaisseur 1/16 po. (1.6 mm)) | 5/8 po. (16 mm) (Acier doux) |
| | Vissage | Vis en bois | 15/32 po. x 3-15/16 po. (12 mm x 100 mm) |
| | | Petite vis | 1/4 po. (6 mm) |
| Capacité de mandrin | | Diamètre de serrage maximum 1/2 po. (13 mm) | |
| Batterie | Modèle | BSL36B18 | |
| | Type | Batterie au Li-ion | |
| | Tension | CC 36 V / 18 V | |
| Poids | | 6.6 lbs. (3.0 kg) | 6.6 lbs. (3.0 kg) |

* Les batteries existantes (séries BSL3660/3626/3620, BSL18xx et BSL14xx) ne peuvent pas être utilisées avec cet outil.

2. Chargeur de batterie

| | |
|---|----------------------------|
| Modèle | UC18YSL3 |
| Source d'alimentation d'entrée | Monophasée: AC 120 V 60 Hz |
| Durée de recharge (à une température de 68°F (20°C)) | BSL36B18 : Environ 52 min |
| Tension de charge | CC 14.4 – 18 V |
| Charging current | CC 8.0 A |
| Poids | 1.3 lbs. (0.6 kg) |

ASSEMBLAGE ET FONCTIONNEMENT

UTILISATIONS

<DV36DA>

- Utilisation comme perceuse percussion
Perçage de briques tendres et de blocs de béton.

<DS36DA / DV36DA>

- Utilisation comme mèche
Perçage d'acier doux, de bois, de plastique et d'aluminium.
- Utilisation comme tournevis
Serrage et desserrage de vis à métaux, vis en bois et vis auto-taraudeuses.

MÉTHODE DE RETRAIT ET D'INSTALLATION DE LA BATTERIE

- Installation de la batterie
Aligner la batterie sur la fente de la poignée de l'outil et la glisser à l'intérieur.
Toujours insérer la batterie à fond, jusqu'à ce qu'elle se bloque avec un petit déclic. Sinon, elle risque de tomber accidentellement de l'outil et de blesser l'opérateur ou d'autres personnes alentour (Fig. 4).
- Retrait de la batterie
Sortir la batterie de la poignée de l'outil tout en appuyant sur le taquet (2 taquets) de la batterie (Fig. 5).

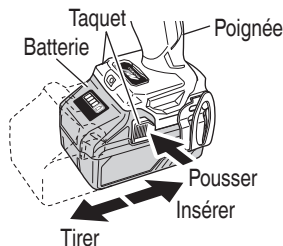


Fig. 5

MÉTHODE DE RECHARGE

REMARQUE

Avant de brancher le chargeur dans la prise, vérifier les points suivants.

- La tension de la source d'alimentation est indiquée sur la plaque signalétique.
- Le cordon n'est pas endommagé.

⚠ AVERTISSEMENT

Ne pas effectuer de recharge à une tension supérieure à la tension indiquée sur la plaque signalétique. Cela brûlerait le chargeur.

1. Brancher le cordon d'alimentation du chargeur sur une prise secteur.
Quand vous raccordez la fiche du chargeur à une prise murale, la lampe témoin clignote en rouge. (À intervalles d'une seconde)



⚠ AVERTISSEMENT

Ne pas utiliser le cordon électrique s'il est endommagé. Le faire réparer immédiatement.

2. Insérer la batterie dans le chargeur de batterie.
Insérer la batterie dans le chargeur de batterie comme indiqué à la Fig. 6.

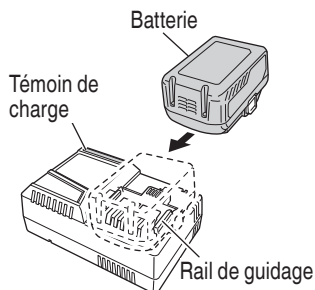


Fig. 6

3. Recharge
Lorsque vous insérez une batterie dans le chargeur, le témoin de charge clignote en bleu.
Lorsque la batterie est complètement chargée, le témoin de charge s'allume en vert. (Voir Tableau 2)
- (1) Indication du témoin de charge
Les indications du témoin de charge sont expliquées dans le Tableau 2, en fonction de l'état du chargeur de batterie ou de la batterie.

Tableau 2

| Indications du témoin de charge | | | | |
|---|----------------------|------------------------|--|---|
| Témoin de charge (ROUGE / BLEU / VERT / VIOLET) | Avant la charge | Clignote (ROUGE) | S'allume pendant 0.5 seconde. Ne s'allume pas pendant 0.5 seconde. (Éteint pendant 0.5 seconde) | Branché à la source d'alimentation |
| | Pendant la charge | Clignote (BLEU) | S'allume pendant 0.5 seconde. Ne s'allume pas pendant 1 seconde. (Éteint pendant 1 seconde) | Capacité de la batterie à moins de 50% |
| | | Clignote (BLEU) | S'allume pendant 1 seconde. Ne s'allume pas pendant 0.5 seconde. (Éteint pendant 0.5 seconde) | Capacité de la batterie à moins de 80% |
| | | S'allume (BLEU) | S'allume sans interruption | Capacité de la batterie à plus de 80% |
| | Charge terminée | S'allume (VERT) | S'allume sans interruption (Signal sonore continu : environ 6 secondes) | |
| | Veille de surchauffe | Clignote (ROUGE) | S'allume pendant 0.3 seconde. Ne s'allume pas pendant 0.3 seconde. (Éteint pendant 0.3 seconde) | Batterie en surchauffe. Impossible de charger. (La charge commencera une fois que la batterie sera froide). |
| | Charge impossible | Scintille (VIOLET) | S'allume pendant 0.1 seconde. Ne s'allume pas pendant 0.1 seconde. (Éteint pendant 0.1 seconde) (Signal sonore intermittent : environ 2 secondes) | Anomalie de la batterie ou du chargeur |

- (2) Au sujet de la température de la batterie rechargeable
Les températures des batteries rechargeables sont indiquées dans le Tableau 3.
Laisser refroidir les batteries qui ont chauffé avant de les recharger.

Tableau 3

| Batteries rechargeables | Températures de recharge de la batterie |
|-------------------------|---|
| BSL36B18 | 32°F - 122°F (0°C - 50°C) |

- (3) Durée de recharge (A 68°F (20°C))

Tableau 4 Temps de recharge

| Chargeur | Batterie |
|----------|--------------|
| UC18YSL3 | BSL36B18 |
| | Env. 52 min. |

REMARQUE

Le temps de recharge peut varier en fonction de la température ambiante.

4. Débrancher le chargeur de batterie de la prise.

⚠ PRECAUTION

Ne pas débrancher la fiche de la prise en tirant sur le cordon.

Pour éviter tout dommage lorsqu'on débranche la fiche de la prise, bien tenir la fiche proprement dite.

5. Retirer la batterie du chargeur de batterie.
Sortir la batterie du chargeur tout en la soutenant de la main.

REMARQUE

Bien sortir la batterie du chargeur de batterie après usage, et la conserver.

En ce qui concerne le courant de décharge d'une batterie neuve

Etant donnée que les substances chimiques internes sont restées inactives dans le cas des batteries neuves ou des batteries qui sont restées longtemps inutilisées, le courant de décharge risque d'être très faible lors des première et deuxième utilisations. Ce phénomène est temporaire et le temps de recharge normal sera rétabli quand les batteries auront été rechargées 2 ou 3 fois.

Comment prolonger la durée de vie des batteries

- (1) Recharger les batteries avant qu'elles ne soient complètement épuisées.
Quand la puissance de l'outil utilisé faiblit, l'éteindre et recharger la batterie. Si l'outil continue d'être utilisé jusqu'à épuisement du courant électrique, la batterie risque d'être endommagée et sa durée de vie se raccourcira.
- (2) Eviter d'effectuer la recharge sous des températures élevées.
Une batterie est toujours chaude immédiatement après son utilisation. Si la batterie est rechargée immédiatement après utilisation, les substances chimiques internes risquent de se détériorer et la durée de vie de la batterie se raccourcira. Laisser la batterie refroidir un moment avant de l'utiliser.

⚠ PRECAUTION

- **Si le chargeur a fonctionné pendant longtemps de suite, il sera chaud, ce qui risque de provoquer des pannes. Lorsque la recharge est terminée, laisser le chargeur refroidir pendant environ 15 minutes avant de passer à la recharge suivante.**
- **Si la batterie est chaude quand elle est rechargée, parce qu'elle est restée longtemps en plein soleil ou parce qu'elle vient juste d'être utilisée, le voyant de charge du chargeur UC18YSL3 clignote en s'allumant pendant 0.3 seconde, puis en s'éteignant pendant 0.3 seconde. Dans une telle éventualité, laisser la batterie refroidir, puis procéder à la recharge.**
- **Si la lampe témoin ou le voyant du chargeur clignote rapidement en rouge (à intervalles de 0.2 seconde), vérifier s'il y a des corps étrangers dans l'orifice d'installation de la batterie du chargeur, et les enlever le cas échéant. S'il n'y a pas de corps étrangers, il s'agit probablement d'une anomalie de la batterie ou du chargeur. Les porter au service après-vente agréé.**

CHARGEMENT DU DISPOSITIF USB

Lorsqu'un problème inattendu survient, les données sur un dispositif USB connecté à ce produit risque d'être endommagées ou perdues. Toujours veiller à sauvegarder toutes les données contenues dans le dispositif USB avant de l'utiliser avec ce produit.

Gardez à l'esprit que notre société décline toute responsabilité relative pour toute donnée enregistrée sur un dispositif USB qui est corrompue ou perdue, ni pour tout dommage susceptible de se produire sur un périphérique raccordé.

⚠ AVERTISSEMENT

- **Avant l'utilisation, vérifiez que le câble USB ne soit pas défectueux ni endommagé. L'utilisation d'un câble USB défectueux ou endommagé peut provoquer des émissions de fumée ou un départ d'incendie.**
- **Lorsque le produit n'est pas utilisé, couvrir le port USB avec le cache en caoutchouc. L'accumulation de poussière, etc. dans le port USB peut provoquer des émissions de fumée ou un départ d'incendie.**

REMARQUE

- Le temps requis pour la charge sera plus longue lorsque l'on charge un périphérique USB et la batterie en même temps.
 - Parfois, il peut y avoir une pause pendant la charge de l'USB.
 - Lorsqu'un périphérique USB n'est pas en cours de chargement, mettez le commutateur USB sur arrêt et retirez le périphérique USB du chargeur.
Le non-respect de cette consigne peut non seulement réduire la durée de vie de la batterie d'un périphérique USB, mais aussi peut engendrer des accidents inattendus.
- (1) Sélectionnez une méthode de charge
Selon la méthode de charge sélectionnée, soit la batterie est insérée dans le chargeur, ou le câble d'alimentation est branché dans une prise électrique.
 - Chargement d'un périphérique USB à l'aide d'une batterie (Fig. 7-a)
 - Charger un dispositif USB à partir d'une prise électrique (Fig. 7-b)
 - Charger un dispositif USB et une batterie à partir d'une prise électrique (Fig. 7-c)

UTILISATION

1. Pose et dépose du foret.

(1) Pose du foret

Desserrer le manchon en le tournant vers la gauche (dans le sens inverse des aiguilles d'une montre vu de face) pour ouvrir l'attache du mandrin sans clavette. Insérer la mèche, etc. dans le mandrin à attache sans clavette, et serrer le manchon en le tournant vers la droite (dans le sens des aiguilles d'une montre vu de face). (Voir Fig. 9).

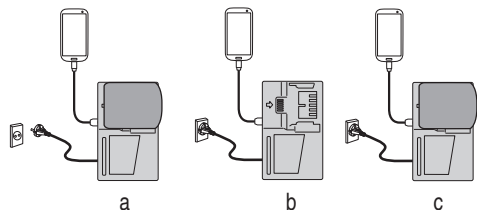


Fig. 7

(2) Mettez le commutateur d'alimentation USB sur marche (Fig. 8)

Lorsque vous mettez le commutateur d'alimentation USB sur marche, le témoin d'alimentation USB s'allumera.

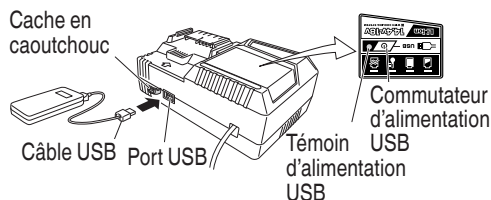


Fig. 8

(3) Connectez le câble USB. (Fig. 8)

Tirez sur le cache en caoutchouc et branchez fermement un câble USB disponible dans le commerce (compatible avec le dispositif à recharger) dans le port USB.

○ Lorsque le câble d'alimentation n'est pas branché dans une prise électrique, et que la batterie se décharge, l'énergie de sortie s'arrêtera et le témoin d'alimentation USB s'éteindra.

○ Lorsque le témoin d'alimentation USB s'éteint, changez la batterie ou branchez le câble d'alimentation dans une prise électrique.

(4) Lorsque la charge est terminée

○ Le témoin d'alimentation USB ne s'éteindra pas lorsque le périphérique USB a été complètement chargé.

Pour vérifier l'état de la charge, vérifiez le périphérique USB.

○ Mettez le commutateur d'alimentation USB sur arrêt et débranchez le câble d'alimentation de la prise électrique. (Fig. 8)

○ Retirez la batterie du chargeur et placez le cache en caoutchouc sur le port USB.

AVANT L'UTILISATION

Vérifier l'aire de travail pour s'assurer qu'il n'y a ni débris ni désordre.

Évacuer toutes les personnes non nécessaires au travail. S'assurer que l'éclairage et la ventilation sont satisfaisants.

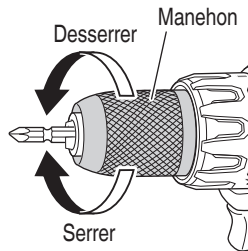


Fig. 9

REMARQUE

Si le manchon se relâche pendant le fonctionnement, le serrer davantage.

La force de serrage sera plus forte si le manchon est bien serré.

(2) Dépose du foret

Desserrer le manchon en le tournant vers la gauche (dans le sens inverse des aiguilles d'une montre vu de face), et sortir la mèche, etc. (Voir Fig. 9).

REMARQUE

○ Si l'on serre le manchon alors que l'attache du mandrin sans clavette est ouverte au maximum, un clic risque de se faire entendre. Ce bruit indique que le desserrage du mandrin sans clavette est empêché, et il est normal.

○ Lorsque le manchon ne peut pas être dévissé, bloquer l'outil emmanché dans un étau, etc., mettre l'embrayage sur 1 à 11 et tourner le manchon dans le sens contraire des aiguilles d'une montre tout en faisant fonctionner l'embrayage.

2. Vérifiez si la batterie a été correctement installée.

3. Installation/retrait de la poignée latérale. (Fig. 10)

⚠ AVERTISSEMENT

Lors de l'utilisation de l'outil, assurez-vous que la poignée latérale soit attachée et solidement fixée.

Si elle n'est pas solidement fixée, l'outil peut bouger brusquement en dehors de son emplacement s'il est en surcharge, ce qui pourrait entraîner des blessures.

- (1) Retirez le bouchon en caoutchouc et fixez la poignée latérale. (1, 2, 3)
 - (2) Desserrer la saisie pour retirer la poignée latérale. (4)
- Fixez le capuchon en caoutchouc sur la partie saillante de la poignée latérale (5)

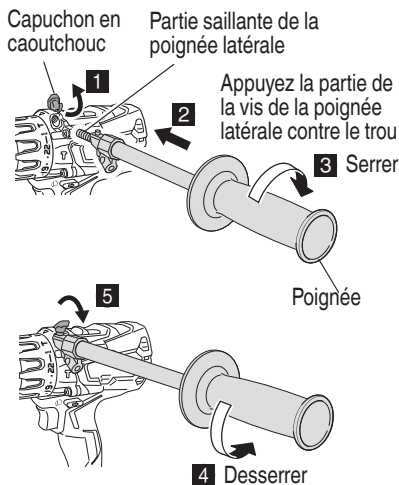


Fig. 10

4. Vérifiez la direction de rotation. La mèche tourne dans le sens horaire (vu de l'arrière) quand on appuie sur côté-R du sélecteur. En appuyant sur le côté-L du sélecteur la mèche tourne dans le sens anti-horaire (Voir Fig. 11). (Les repères (L) et (R) sont marqués sur le corps).

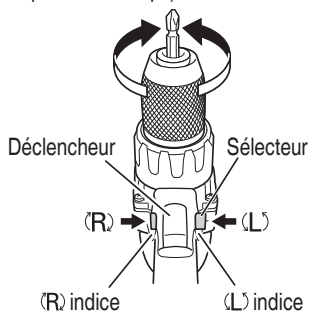


Fig. 11

- ⚠ PRECAUTION**
 Il n'est pas possible de commuter le bouton-poussoir pendant que l'outil motorisé fonctionne. Pour commuter le bouton-poussoir, arrêter l'outil motorisé, puis régler le bouton-poussoir.

5. Changement de vitesse de rotation.

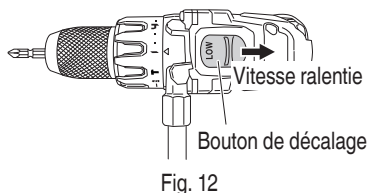


Fig. 12

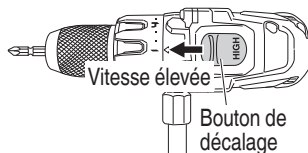


Fig. 13

Actionnez le bouton de décalage pour changer la vitesse de rotation. Enfoncez le bouton de blocage pour relâcher le blocage et déplacez le bouton de décalage dans la direction de la flèche (Voir les Fig. 12 et 13).

Quand le bouton de décalage est mis sur "LOW" (petite vitesse), la perceuse tourne à petite vitesse.

Quand il est mis sur "HIGH" (grande vitesse), la perceuse tourne à grande vitesse.

⚠ PRECAUTION




- Lors du changement de la vitesse de rotation à l'aide du bouton de décalage, assurez-vous que l'interrupteur est sur arrêt et que le sélecteur est mis sur "0" (ARRÊT).

Le fait de changer la vitesse quand le moteur tourne endommagera l'engrenage.

- Pour une opération qui nécessite une grande force (opérations indiquées dans le tableau ci-dessous), régler le bouton de décalage sur "LOW". Si l'on utilise l'outil sur "HIGH", cela risque de brûler le moteur ou de provoquer un mauvais fonctionnement prématuré.

6. Portée et recommandations pour l'utilisation. La portée utilisable pour les différents types de travaux basée sur la structure mécanique de cet outil est indiquée au Tableau 5.

Tableau 5

| Travail | | Position du capuchon | Suggestions |
|---------|-----------------|---|--|
| Perçage | Brique (DV36DA) |  | Utilisation à des fins de perçage. |
| | Bois |  | Utilisation à des fins de perçage. |
| | Acier | | |
| | Aluminium | | |
| Vissage | Petite vis | 1 – 22 | Utiliser la mèche et la douille correspondant au diamètre de la vis. |
| | Vis en bois | 1 –  | Utiliser après avoir percé un trou d'amorce. |

7. Vérification de la position du sélecteur de débrayage (Voir Fig. 14).

<DS36DA>

Le couple de serrage est défini par la position du sélecteur de débrayage.

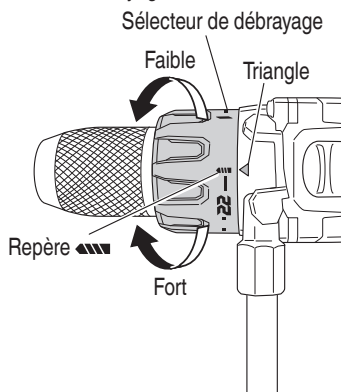




Fig. 14

- (1) En mode visseuse, alignez l'un des chiffres du sélecteur "1, 4, 7 ... 22" ou le point avec le repère triangulaire sur le corps.
- (2) En mode perceuse, alignez le symbole du foret " sur le sélecteur de débrayage avec le repère triangulaire sur le corps.

⚠ PRECAUTION

- Il est impossible de positionner le sélecteur de débrayage entre les chiffres "1, 4, 7 ... 22" ou le point.
- N'utilisez pas l'outil avec le sélecteur de débrayage positionné entre le chiffre "22" et la ligne au centre du symbole du foret "", vous risqueriez de l'endommager (Voir Fig. 15).

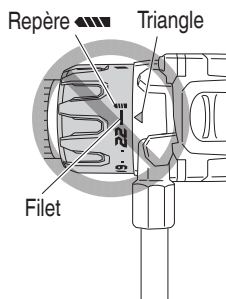




Fig. 15

<DV36DA> (Fig. 16)

Les trois modes, à savoir tournevis, burin et burin à perceuse, se sélectionnent en changeant la position du sélecteur de débrayage de l'outil.

- (1) Lorsqu'on utilise cet outil comme tournevis, aligner l'un des chiffres "1, 4, 7 ... 22" du sélecteur de débrayage, ou le point, sur le repère triangulaire du boîtier extérieur.
- (2) Quand la perceuse est utilisée avec un mèche, aligner le repère " sur le sélecteur de débrayage avec le triangle sur le corps de la perceuse.
- (3) Si l'outil est utilisé comme perceuse à percussion, amener le repère de percussion " du sélecteur de débrayage en regard du repère triangulaire du corps de l'outil.

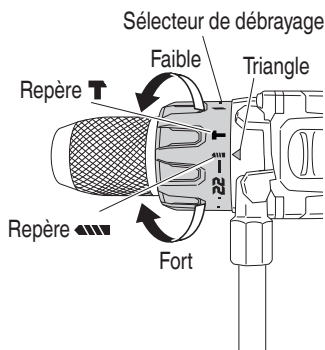


Fig. 16

⚠ PRECAUTION

- Il n'est pas possible de régler le sélecteur de débrayage entre les nombres "1, 4, 7 ... 22" ou le point.
- Ne pas utiliser avec le sélecteur de débrayage sur le nombre "22" et le trait au milieu du repère de perçage. Cela pourrait provoquer des dommages. (Voir Fig. 17)

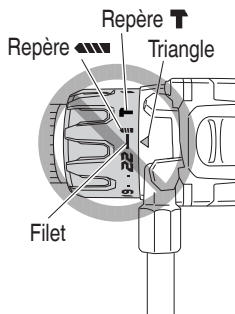


Fig. 17

8. Commutation rotation sur percussion (DV36DA)
 Les fonctions "Rotation (Rotation seulement)" et "Percussion (Percussion + rotation)" se commutent en amenant le repère de perçage "▲▲▲" ou le repère de percussion "T" sur le repère triangulaire du boîtier externe.
- Pour percer des orifices dans du métal, du bois ou du plastique, commuter sur "Rotation (Rotation seulement)".
 - Pour percer des orifices dans de la brique ou des blocs de béton, commuter sur "Percussion (Percussion + rotation)".

⚠ PRECAUTION

Ne pas utiliser la visseuse/perceuse percussion sans fil en mode "Percussion" si le matériau ne doit être alésé qu'en rotation seulement. Cela non seulement réduirait l'efficacité du perçage, mais pourrait également endommager la mèche.

9. Réglage du couple de serrage.
- (1) Couple de serrage
 Le couple de serrage devra correspondre au diamètre de la vis utilisée. Si trop de force est utilisée, il se peut que la vis se casse ou s'endommage dans la partie de sa tête. Assurez-vous de positionner le sélecteur de débrayage en fonction du diamètre de la vis.
- (2) Indication du couple de serrage (Voir la Fig. 14, 16)
 Le couple de serrage varie en fonction du type de vis et du matériau à serrer.
 Le couple de serrage est indiqué par les chiffres "1, 4, 7 ... 22" sur le sélecteur de débrayage et un noir. La position "1" correspond au couple le plus faible et le chiffre le plus élevé au couple le plus important.
- (3) Réglage du couple de serrage (Voir Fig. 14, 16)
 Faites tourner le sélecteur de débrayage et alignez l'un des chiffres "1, 4, 7 ... 22" ou le point avec le repère triangulaire sur le corps. Faites tourner le sélecteur vers la droite ou la gauche, suivant le couple souhaité.
10. Fonctionnement de l'interrupteur
- Quand la gâchette de l'interrupteur est tirée, l'outil tourne. Quand la gâchette est relâchée, l'outil s'arrête. Lorsque le déclencheur est libéré, le frein arrête immédiatement l'outil.
 - La vitesse de rotation de la foreuse peut être contrôlée en faisant varier la force avec laquelle on appuie sur l'interrupteur. En appuyant légèrement sur l'interrupteur, la vitesse est basse et elle augmente lorsqu'on appuie plus fort.
11. Perçage du brique (DV36DA)
 Une force excessive n'augmentera pas la vitesse de forage ; Elle ne pourra qu'endommager la pointe du foret ou réduire le rendement, aussi bien que réduire la durée de vie du foret. Faire fonctionner la perceuse à percussion avec une force de 10 à 20 kg de pression lors du forage dans la brique.

⚠ PRECAUTION

- Il se peut que la rotation du moteur se verrouille et s'arrête pendant que l'outil est utilisé en tant que perceuse. Pendant le fonctionnement de la perceuse-visseuse, faites attention à ne pas verrouiller le moteur.
 - Si le moteur a été verrouillé, débrancher immédiatement l'alimentation. Si le moteur reste verrouillé pendant un certain temps, le moteur ou la batterie seront brûlés.
 - Une percussion trop prolongée peut casser la vis par suite d'un serrage excessif.
12. Sélection de la couple de serrage et de la fréquence de rotation
- ⚠ PRECAUTION**
- Les exemples choisis et montrés au Tableau 6, seront pris en tant qu'exemples standard

étant donné que différentes vis de serrages et différents matériels devant être serrés seront utilisés réellement, et pour lesquels un réglage approprié sera évidemment requis.





- Lors de l'utilisation de la perceuse-visseuse/perceuse à percussion à HIGH (Grande vitesse) avec une vis à métaux, une vis peut être endommagée ou une mèche peut devenir lâche étant donné le couple de serrage trop élevé. Utiliser la perceuse-visseuse/perceuse à

percussion à LOW (Petite vitesse) avec une vis à métaux.

REMARQUE

L'utilisation de la batterie dans un environnement froid (en-dessous de 0 degré centi-grade) peut parfois entraîner un affaiblissement du couple de serrage et une réduction du volume de travail. Il s'agit d'un phénomène purement temporaire, et la batterie recommencera à fonctionner normalement lorsqu'elle se sera réchauffée.

Tableau 6

| Utilisation | | Position du capuchon | Sélection de vitesse de rotation (Position du bouton de changement) | |
|-------------|-----------------|---|---|--|
| | | | LOW (Petite vitesse) | HIGH (Grande vitesse) |
| Vissage | Vis mécanique | 1 - 22 | Pour vis de 1/4 po. (6 mm) ou moins diamètre | Pour vis de 1/4 po. (6 mm) ou moins diamètre |
| | Vis de bois | 1 -  | Pour vis de 15/32 po. (12 mm) ou moins, diamètre nominal | Pour vis de 1/4 po. (6 mm) ou moins diamètre nominal |
| Perçage | Brique (DV36DA) |  | Pour diamètre de 25/32 po. (20 mm) ou moins | Pour diamètre de 1/2 po. (13 mm) ou moins |
| | Bois |  | Pour diamètre de 4-1/32 po. (102 mm) ou moins | Pour diamètre de 1-1/2 po. (38 mm) ou moins |
| | Métal |  | — | Pour forage avec perceuse à travailler le fer. |

13. Témoin de batterie résiduelle



Vous pouvez vérifier la capacité résiduelle de la batterie en appuyant sur le commutateur d'indicateur de batterie résiduelle pour allumer le témoin de l'indicateur. (Fig. 18, Tableau 7)






L'indicateur s'éteindra environ 3 secondes après avoir appuyé sur le commutateur de l'indicateur de batterie résiduelle.

Il est préférable d'utiliser l'indicateur de batterie résiduelle en tant que guide étant donné qu'il existe de légères différences, par exemple en fonction de la température ambiante et de l'état de la batterie.

De plus, l'indicateur de batterie résiduelle peut être différent de ceux équipés sur un outil ou un chargeur.

Tableau 7

| Statut de la lampe | Puissance batterie résiduelle |
|---|--|
|  | S'allume ; La puissance résiduelle de la batterie est de plus de 75%. |
|  | S'allume ; La puissance résiduelle de la batterie se situe entre 50 et 75%. |

| | |
|---|--|
|  | S'allume ; La puissance résiduelle de la batterie se situe entre 25 et 50%. |
|  | S'allume ; La puissance résiduelle de la batterie est de moins de 25%. |
|  | Clignote ; La puissance résiduelle de la batterie est presque nulle. Rechargez la batterie le plus rapidement possible. |
|  | Clignote ; Sortie suspendue en raison d'une température élevée. Retirez la batterie de l'outil et laissez-la refroidir complètement. |
|  | Clignote ; Sortie interrompue en raison d'une défaillance ou un dysfonctionnement. Le problème ne provient peut-être pas de la batterie ; veuillez contacter votre revendeur. |

Le témoin lumineux de puissance batterie résiduelle peut s'allumer différemment selon la température ambiante et les caractéristiques de la batterie. Utilisez donc ce tableau comme référence.

Témoin indicateur de batterie résiduelle Commutateur de puissance batterie résiduelle

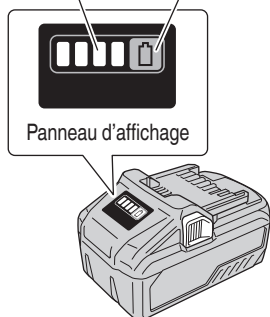


Fig. 18

REMARQUE

Ne pas faire subir de choc violent au panneau d'affichage ou l'endommager. Cela peut provoquer des défaillances.

14. Comment utiliser la DEL d'éclairage
 Lorsque le commutateur est activé, la DEL illumine automatiquement la pointe de l'outil. (Fig. 19)
 La DEL lumineuse s'éteint automatiquement 10 secondes après avoir relâché le commutateur.
 La DEL lumineuse fonctionne également comme un signal d'avertissement qui s'allume pendant l'utilisation. Pour plus d'informations, reportez-vous à la section "17. Messages d'alerte par témoin DEL".

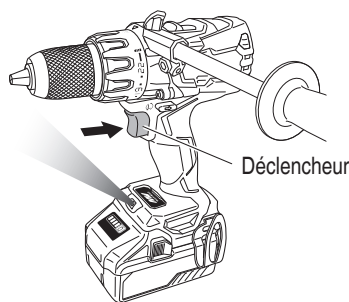


Fig. 19

⚠ PRECAUTION

- N'exposez pas vos yeux directement à la lampe en regardant. Une exposition continue de vos yeux à la lampe pourrait les blesser.

- Essuyer toute poussière ou saleté située sur la lentille du témoin DEL avec un chiffon doux, en faisant attention de ne pas rayer la lentille. Des rayures sur la lentille du témoin DEL peuvent entraîner une baisse de la luminosité.

15. Utilisation du crochet
 Le crochet sert à suspendre l'outil électrique à votre ceinture pendant le travail.

⚠ PRECAUTION

- Lorsque vous employez le crochet, accrochez fermement l'outil pour en éviter toute chute accidentelle. En cas de chute de l'outil électrique, un accident pourrait survenir.
- Lorsque vous choisissez de porter l'outil accroché à votre ceinture, assurez-vous de détacher la mèche et la poignée latérale. Le non-respect de cette consigne peut entraîner des blessures inattendues.
- Installez fermement le crochet. Une mauvaise installation pourrait provoquer des blessures pendant l'utilisation.

- (1) Dépose du crochet.
 Enlevez les vis qui maintiennent le crochet, à l'aide d'un tournevis Philips. (Fig. 20)

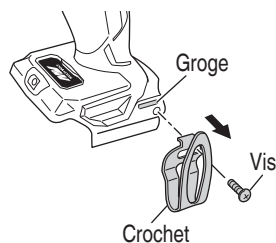


Fig. 20

- (2) Remplacer le crochet et serrer les vis.
 Installez le crochet à fond dans la gorge de l'outil électrique et serrez les vis pour le maintenir fermement. (Fig. 21)

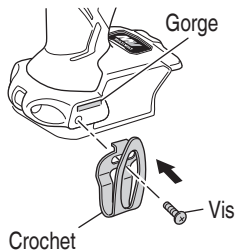


Fig. 21

PRECAUTIONS DE FONCTIONNEMENT

Repos de l'appareil après un travail continu

- (1) L'outil électrique est doté d'un circuit de protection thermique pour protéger le moteur.

Un serrage de boulons continu peut entraîner l'augmentation de la température de l'outil, ce qui déclenche le circuit de protection thermique et interrompt automatiquement l'opération.

Dans ce cas, laissez l'outil électrique refroidir avant de recommencer à l'utiliser.

- (2) Après un travail de serrage de vis à bois de façon continue, laissez l'outil reposer pendant environ 15 minutes lors du remplacement de la batterie. La température du moteur, de la gâchette, etc. augmentera si le travail est repris tout de suite après le remplacement de la batterie, ce qui risque de provoquer un grillage.

ENTRETIEN ET INSPECTION

⚠ PRECAUTION: Sortir la batterie avant toute opération d'inspection ou d'entretien.

1. Vérifier l'état de la mèche.

Les mèches doivent être vérifiées régulièrement. Si elles sont usées ou cassées, elles risquent de glisser ou de réduire le rendement du moteur et de le brûler. Remplacer les mèches usées par des neuves.

⚠ PRECAUTION

Si l'on utilise une mèche dont la pointe est usée ou cassée, elle sera dangereuse car elle risque de glisser. La remplacer par une neuve.

2. Vérifier les vis

Des vis mal serrées sont dangereuses. Les inspecter régulièrement et vérifier qu'elles sont serrées à fond.

⚠ PRECAUTION

Il serait extrêmement dangereux d'utiliser cet outil électrique avec des vis mal serrées.

3. Vérifier s'il y a de la poussière.

Enlever la poussière avec un chiffon doux ou un chiffon humecté d'eau savonneuse. Ne pas utiliser de décolorant, chlorure, essence ou diluant, car ces produits pourraient endommager le plastique.

4. Inspection des bornes (outil et batterie)

Assurez-vous qu'il n'y a pas de copeaux ou de poussières accumulés sur les bornes. À l'occasion, vérifiez avant, pendant et après le fonctionnement.

⚠ PRÉCAUTION

Retirez tous les copeaux ou la poussière qui se sont accumulés sur les bornes.

Le non-respect de cette consigne pourrait provoquer un dysfonctionnement.

5. Mise au rebut d'une batterie usée

⚠ AVERTISSEMENT

Ne pas jeter la batterie usée aux ordures ménagères. La batterie risque d'exploser si elle est incinérée. L'appareil que vous avez acheté renferme une batterie rechargeable. La batterie est recyclable. Lorsqu'elle a atteint sa limite de service, selon les lois des états et les lois locales, il peut être illégal de jeter cette batterie aux ordures ménagères. Vérifier auprès de son service de ramassage d'ordures les options de recyclage et la procédure correcte de mise au rebut.

6. Rangement

Ranger dans un lieu dont la température est inférieure à 104°F (40°C), et hors de portée des enfants.

REMARQUE

Stockage des batteries au lithium-ion

Assurez-vous que les batteries au lithium-ion ont été entièrement chargées avant de les stocker.

Le stockage prolongé (3 mois ou plus) de batteries faiblement chargées peut entraîner une détérioration des performances, réduisant considérablement la durée d'autonomie des batteries alors incapables de tenir une charge.

Il est cependant possible de recouvrer la capacité d'autonomie d'une batterie considérablement endommagée en alternant deux à cinq fois charge et utilisation.

Si la durée d'autonomie de la batterie reste extrêmement courte malgré les charges et utilisations consécutives, considérez la batterie en fin de vie et procurez-vous en une neuve.

7. Entretien et réparation

Tous les outils motorisés de qualité auront éventuellement besoin d'une réparation ou du remplacement d'une pièce à cause de l'usure normale de l'outil. Pour assurer que seules des pièces de rechange autorisées seront utilisées, tous les entretiens et les réparations doivent être effectués uniquement par UN CENTRE DE SERVICE metabo HPT AUTORISÉ.

Avis important sur les batteries pour outils électriques sans fil metabo HPT

Toujours utiliser une de nos batteries originales spécifiées. Nous ne saurions garantir la sécurité et la performance de notre outil électrique sans fil s'il est utilisé avec une batterie autre que celle que nous avons spécifié, ou encore si la batterie est démontée et modifiée (par exemple, le démontage et remplacement des cellules ou autres composants internes).

⚠ PRECAUTION

Lors de l'utilisation et de l'entretien d'un outil électrique, respecter les règlements et les normes de sécurité en vigueur dans le pays en question.

GUIDE DE DÉPANNAGE

⚠ AVERTISSEMENT

- **Afin d'éviter un démarrage intempestif, placer l'interrupteur à la position d'arrêt (OFF) et débrancher la fiche de la source d'alimentation avant d'effectuer un quelconque ajustement.**
- **Toute réparation électrique ou mécanique doit être effectuée par un technicien qualifié. Contacter un centre de service autorisé de metabo HPT.**

1. Outil électrique

| Problème | Origine possible | Solution possible |
|---|--|--|
| L'outil ne fonctionne pas | Aucune énergie dans la batterie | Charger la batterie. |
| | La batterie n'est pas fixée de manière sécurisée. | Appuyer sur la batterie jusqu'à ce qu'un déclic se fasse entendre. |
| L'outil s'est arrêté soudainement | L'outil était en surcharge | Éliminer la cause de la surcharge. |
| | La commande de force réactive a été activée | Voir "Commande de force réactive". |
| | La batterie ou l'outil a trop chauffé | Laisser l'outil et la batterie refroidir complètement. |
| Mèches - ne peuvent pas être fixées - tombent | La forme de la partie de fixation ne correspond pas | Le diamètre de serrage du mandrin sans clé est de 1/16 po. (1,5 mm) à 1/2 po. (13 mm). Utilisez une mèche qui se situe dans la gamme indiquée. |
| | Le verrouillage du mandrin sans clé est usé | Contactez un service après-vente metabo HPT agréé et demandez de remplacer l'ancien mandrin sans clé par un nouveau. |
| Le commutateur ne peut pas être tiré | Le bouton de sélection avant/arrière est positionné à mi-hauteur | Appuyer sur le bouton fermement jusqu'à la position correspondant au sens de rotation souhaité. |

| Problème | Origine possible | Solution possible |
|--|--|---|
| La tête de vis glisse ou se décroche. | Le numéro de mèche ne correspond pas à la taille de la vis | Installer une mèche adaptée. |
| | La mèche est usée | La remplacer par une nouvelle. |
| Les trous ne sont pas percés correctement. | Le foret est usé | Le remplacer par un nouveau. |
| | La vitesse de rotation n'est pas adaptée | Régler la vitesse de rotation (HAUTE/ BASSE) pour qu'elle corresponde au matériel à percer. |
| | Le foret tourne en sens inverse | Passer en rotation vers l'avant. |
| La batterie ne peut pas être installée | Tentative d'installation d'une batterie d'un autre type que celui défini pour l'outil. | Veillez installer une batterie de type multi-volt. |

2. Chargeur

| Problème | Origine possible | Solution possible |
|--|---|---|
| Le témoin de charge clignote rapidement en violet et le chargement de la batterie ne démarre pas. | La batterie n'est pas insérée à fond. | Insérer fermement la batterie. |
| | Un corps étranger se trouve sur la borne de la batterie ou là où la batterie est fixée. | Retirer le corps étranger. |
| Le témoin de charge clignote en rouge et la charge de la batterie ne débute pas. | La batterie n'est pas insérée à fond. | Insérer fermement la batterie. |
| | La batterie a surchauffé. | Si la batterie est laissée en place et si la température diminue, la charge débutera automatiquement, mais ceci peut réduire la durée de vie de la batterie. Il est recommandé de laisser refroidir la batterie dans un endroit bien aéré éloigné des rayons directs du soleil avant de la charger. |
| Le temps de fonctionnement de la batterie est court alors même que la batterie est complètement chargée. | La durée de vie de la batterie est terminée. | Remplacer la batterie par une neuve. |
| La charge de la batterie prend du temps. | La température de la batterie, du chargeur ou de l'environnement alentour est très basse. | Charger la batterie à l'intérieur ou dans un autre environnement plus chaud. |
| | Les bouches d'aération du chargeur sont bloquées provoquant la surchauffe de ses éléments internes. | Éviter de bloquer les bouches d'aération. |
| | Le ventilateur de refroidissement ne fonctionne pas. | Communiquer avec un centre de service metabo HPT autorisé pour solliciter une réparation. |
| Le témoin d'alimentation USB s'est éteint et le périphérique USB a cessé la charge. | La capacité de la batterie est devenue faible. | Remplacer la batterie par une batterie ayant assez de capacité restante. |
| | | Brancher la fiche du cordon d'alimentation du chargeur dans une prise électrique. |

| Problème | Origine possible | Solution possible |
|---|--|---|
| Le témoin d'alimentation USB ne s'éteint pas alors même que le périphérique USB a fini la charge. | Le témoin d'alimentation USB s'allume en vert pour indiquer que la charge USB est possible. | Il ne s'agit pas d'un dysfonctionnement. |
| Le statut de charge du périphérique USB ou la fin de la charge est incertain(e). | Le témoin d'alimentation USB ne s'éteint pas alors même que la charge est terminée. | Inspecter le périphérique USB en charge pour confirmer son statut de charge. |
| La charge du périphérique USB s'interrompt à mi-chemin. | Le chargeur a été branché dans une prise électrique alors même que le périphérique USB était chargé au moyen de la batterie comme source d'alimentation. | Il ne s'agit pas d'un dysfonctionnement. Le chargeur interrompt la charge USB pendant environ 5 secondes lorsqu'il fait la différence entre les sources d'alimentation. |
| | Une batterie a été insérée dans le chargeur alors même que le périphérique USB était chargé au moyen d'une prise secteur comme source d'alimentation. | |
| La charge du périphérique USB s'interrompt à mi-chemin lorsque la batterie et le périphérique USB sont chargés simultanément. | La batterie est complètement chargée. | Il ne s'agit pas d'un dysfonctionnement. Le chargeur interrompt la charge USB pendant environ 5 secondes alors qu'il vérifie si la charge de la batterie est terminée. |
| La charge du périphérique USB ne débute pas lorsque la batterie et le périphérique USB sont chargés simultanément. | La capacité restante de la batterie est très basse. | Il ne s'agit pas d'un dysfonctionnement. Lorsque la capacité de la batterie atteint un certain niveau, la charge USB débute automatiquement. |

ACCESSOIRES

⚠ AVERTISSEMENT

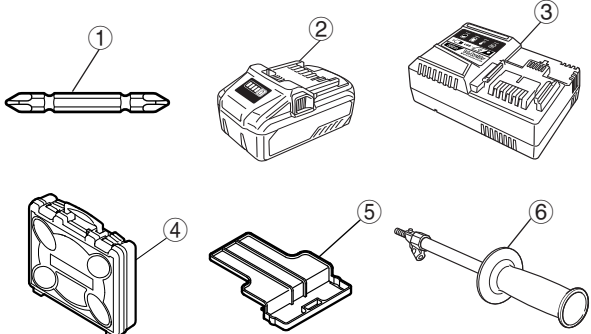
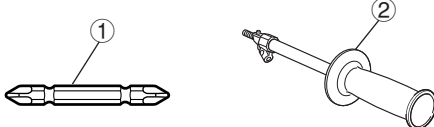
TOUJOURS utiliser UNIQUEMENT des pièces de rechange et des accessoires metabo HPT. Ne jamais utiliser de pièce de rechange ou d'accessoires qui ne sont pas prévus pour être utilisés avec cet outil. En cas de doute, contacter metabo HPT pour savoir si une pièce de rechange ou un accessoire particulier peuvent être utilisés en toute sécurité avec votre outil.

L'utilisation de tout autre attachement ou accessoire peut être dangereux et peut causer des blessures ou des dommages mécaniques.

REMARQUE

Les accessoires sont sujets à changement sans obligation de la part de metabo HPT.

ACCESSOIRES STANDARD

| | |
|---|---|
| <p>DS36DA DV36DA (2WCK)</p> |  <p>① Mèche Phillips (No. 2 x 65L) (N° de code 983006) 1 ② Batterie (BSL36B18) 2 ③ Chargeur de batterie (UC18YSL3) 1 ④ Coffret en plastique (N° de code 339778)..... 1 ⑤ Couvercle de batterie (N° de code 329897) 1 ⑥ Poignée latérale (N° de code 339770) 1</p> |
| <p>DS36DA (NN) DV36DA (NN)</p> |  <p>① Mèche Phillips (No. 2 x 65L) (N° de code 983006) 1 ② Poignée latérale (N° de code 339770) 1</p> |

ACCESSOIRES EN OPTION.....vendus séparément

○ Batterie (BSL36B18)

REMARQUE

Les spécifications sont sujettes à modification sans aucune obligation de la part de metabo HPT.

INFORMACIÓN IMPORTANTE SOBRE SEGURIDAD

Antes de utilizar o de realizar cualquier trabajo de mantenimiento de esta herramienta eléctrica, lea y comprenda todas las precauciones de seguridad, advertencias e instrucciones de funcionamiento de este Manual de instrucciones.

La mayoría de los accidentes producidos en la operación y el mantenimiento de una herramienta eléctrica se deben a la falta de observación de las normas o precauciones de seguridad. Los accidentes normalmente podrán evitarse reconociendo una situación potencialmente peligrosa a tiempo y siguiendo los procedimientos de seguridad apropiados.

Las precauciones básicas de seguridad se describen en la sección "SEGURIDAD" de este Manual de instrucciones y en las secciones que contienen las instrucciones de operación y mantenimiento.

Para evitar lesiones o el daño de la herramienta eléctrica, los riesgos están identificados con ADVERTENCIAS en dicha herramienta y en este Manual de instrucciones.

No utilice **NUNCA** esta herramienta eléctrica de ninguna forma que no esté específicamente recomendada por metabo HPT.

SIGNIFICADO DE LAS PALABRAS DE SEÑALIZACIÓN

ADVERTENCIA indica situaciones potencialmente peligrosas que, si se ignoran, pueden resultar en la muerte o en lesiones de gravedad.

PRECAUCIÓN indica situaciones potencialmente peligrosas que, de no evitarse, pueden resultar en lesiones menores o moderadas, o causar daños en la herramienta eléctrica.

NOTA acentúa información esencial.

SEGURIDAD

ADVERTENCIAS DE SEGURIDAD GENERAL DE LA HERRAMIENTA ELÉCTRICA

⚠ ADVERTENCIA

Lea todas las instrucciones y todas las advertencias de seguridad.

Si no se siguen las advertencias e instrucciones, podría producirse una descarga eléctrica, un incendio y/o daños graves.

Guarde todas las advertencias e instrucciones para futura referencia.

El término "herramienta eléctrica" en las advertencias hace referencia a la herramienta eléctrica que funciona con la red de suministro (con cable) o a la herramienta eléctrica que funciona con pilas (sin cable).

1) Seguridad en el área de trabajo

a) **Mantenga la zona de trabajo limpia y bien iluminada.**

Las zonas desordenadas o oscuras pueden provocar accidentes.

b) **No utilice las herramientas eléctricas en entornos explosivos como, por ejemplo, en presencia de líquidos inflamables, gases o polvo.**

Las herramientas eléctricas crean chispas que pueden hacer que el polvo desprenda humo.

c) **Mantenga a los niños y transeúntes alejados cuando utilice una herramienta eléctrica.**

Las distracciones pueden hacer que pierda el control.

2) Seguridad eléctrica

a) **Los enchufes de las herramientas eléctricas tienen que ser adecuados a la toma de corriente. No modifique el enchufe.**

No utilice enchufes adaptadores con herramientas eléctricas conectadas a tierra.

Si no se modifican los enchufes y se utilizan tomas de corriente adecuadas se reducirá el riesgo de descarga eléctrica.

b) **Evite el contacto corporal con superficies conectadas a tierra como tuberías, radiadores y frigoríficos.**

Hay mayor riesgo de descarga eléctrica si su cuerpo está en contacto con el suelo.

c) **No exponga las herramientas eléctricas a la lluvia o a la humedad.**

La entrada de agua en una herramienta eléctrica aumentará el riesgo de descarga eléctrica.

d) **No utilice el cable incorrectamente. No utilice el cable para transportar, tirar de la herramienta eléctrica o desenchufarla.**

Mantenga el cable alejado del calor, del aceite, de bordes afilados o piezas móviles.

Los cables dañados o enredados aumentan el riesgo de descarga eléctrica.

- e) **Cuando utilice una herramienta eléctrica al aire libre, utilice un cable prolongador adecuado para utilizarse al aire libre.**
La utilización de un cable adecuado para usarse al aire libre reduce el riesgo de descarga eléctrica.
- f) **Si no se puede evitar el uso de una herramienta eléctrica en un lugar húmedo, utilice un suministro protegido mediante un dispositivo de corriente residual (RCD).**
El uso de un RCD reduce el riesgo de descarga eléctrica.
- 3) **Seguridad personal**
- a) **Esté atento, preste atención a lo que hace y utilice el sentido común cuando utilice una herramienta eléctrica.**
No utilice una herramienta eléctrica cuando esté cansado o esté bajo la influencia de drogas, alcohol o medicación.
La distracción momentánea cuando utiliza herramientas eléctricas puede dar lugar a importantes daños personales.
- b) **Utilice un equipo de protección. Utilice siempre una protección ocular.**
El equipo de protección como máscara para el polvo, zapatos de seguridad antideslizantes, casco o protección para oídos utilizado para condiciones adecuadas reducirá los daños personales.
- c) **Evite un inicio involuntario. Asegúrese de que el interruptor está en “off” antes de conectar la herramienta a una fuente de alimentación y/o batería, cogerla o transportarla.**
El transporte de herramientas eléctricas con el dedo en el interruptor o el encendido de herramientas eléctricas con el interruptor encendido puede provocar accidentes.
- d) **Retire las llaves de ajuste antes de encender la herramienta eléctrica.**
Si se deja una llave en una pieza giratoria de la herramienta eléctrica podrían producirse daños personales.
- e) **No se extralimite. Mantenga un equilibrio adecuado en todo momento.**
Esto permite un mayor control de la herramienta eléctrica en situaciones inesperadas.
- f) **Vístase adecuadamente. No lleve prendas sueltas o joyas. Mantenga el pelo, la ropa y los guantes alejados de las piezas móviles.**
La ropa suelta, las joyas y el pelo largo pueden pillarse en las piezas móviles.
- g) **Si se proporcionan dispositivos para la conexión de extracción de polvo e instalaciones de recogida, asegúrese de que están conectados y se utilizan adecuadamente.**

La utilización de un sistema de recogida de polvo puede reducir los riesgos relacionados con el polvo.

- 4) **Utilización y mantenimiento de las herramientas eléctricas**
- a) **No fuerce la herramienta eléctrica. Utilice la herramienta eléctrica correcta para su aplicación.**
La herramienta eléctrica correcta trabajará mejor y de forma más segura si se utiliza a la velocidad para la que fue diseñada.
- b) **No utilice la herramienta eléctrica si el interruptor no la enciende y apaga.**
Las herramientas eléctricas que no pueden controlarse con el interruptor son peligrosas y deben repararse.
- c) **Antes de hacer ajustes, cambiar accesorios o almacenar las herramientas eléctricas, desconecte el enchufe de la fuente eléctrica y/o las baterías de la herramienta.**
Estas medidas de seguridad preventivas reducen el riesgo de que la herramienta eléctrica se ponga en marcha accidentalmente.
- d) **Guarde las herramientas eléctricas que no se utilicen para que no las cojan los niños y no permita que utilicen las herramientas eléctricas personas no familiarizadas con las mismas o con estas instrucciones.**
Las herramientas eléctricas son peligrosas si son utilizadas por usuarios sin formación.
- e) **Mantenimiento de las herramientas eléctricas. Compruebe si las piezas móviles están mal alineadas o unidas, si hay alguna pieza rota u otra condición que pudiera afectar al funcionamiento de las herramientas eléctricas.**
Si la herramienta eléctrica está dañada, llévela a reparar antes de utilizarla.
Se producen muchos accidentes por no realizar un mantenimiento correcto de las herramientas eléctricas.
- f) **Mantenga las herramientas de corte afiladas y limpias.**
Las herramientas de corte correctamente mantenidas con los bordes de corte afilados son más fáciles de controlar.
- g) **Utilice la herramienta eléctrica, los accesorios y las brocas de la herramienta, etc. de acuerdo con estas instrucciones, teniendo en cuenta las condiciones laborales y el trabajo que se va a realizar.**
La utilización de la herramienta eléctrica para operaciones diferentes a pretendidas podría dar lugar a una situación peligrosa.
- 5) **Utilización y cuidado de las herramientas a pilas**
- a) **Recargue sólo con el cargador especificado por el fabricante.**

Un cargador que es apto para un tipo de paquete de pilas podría crear un riesgo de incendio cuando se utiliza con otro paquete de pilas.

- b) **Utilice herramientas eléctricas sólo con paquetes de pilas específicamente diseñados.** La utilización de otros paquetes de pilas podría crear riesgo de daños e incendio.
 - c) **Cuando no se utilice el paquete de pilas, manténgalo alejado de otros objetos metálicos como clips, monedas, llaves, clavos, tornillos u otros objetos metálicos pequeños que puedan hacer una conexión de un terminal a otro.** Si se acortan los terminales de las pilas podrían producirse quemaduras o incendios.
 - d) **Bajas condiciones abusivas, podría expulsarse líquido de la pila; evite todo contacto. En caso de que se produzca contacto accidentalmente, enjuague con agua. Si entra líquido en los ojos, busque ayuda médica.** El líquido expulsado de la pila podría causar irritación o quemaduras.
- 6) **Revisión**
- a) **Lleve su herramienta a que la revise un experto cualificado que utilice sólo piezas de repuesto idénticas.** Esto garantizará el mantenimiento de la seguridad de la herramienta eléctrica.

–ADVERTENCIA–

Para disminuir el riesgo de lesiones, el usuario debe leer el manual de instrucciones.

NORMAS Y SÍMBOLOS ESPECÍFICOS DE SEGURIDAD

1. **Utilice protección auditiva con taladros de impacto.**



La exposición al ruido puede causar daños auditivos.

2. **Utilice los mangos auxiliares si es proporcionados con la herramienta.** La pérdida de control puede causar daños personales.
3. **Sostenga la herramienta eléctrica por las superficies de agarre aisladas cuando realice una operación en la que el accesorio de corte pueda entrar en contacto con el cableado oculto.** Si el accesorio de corte entra en contacto con un cable con corriente, las partes metálicas expuestas de la herramienta eléctrica pueden transmitir esa corriente y producir una descarga eléctrica al operador.

4. **Sostenga la herramienta eléctrica por las superficies de agarre aisladas cuando realice una operación en la que el sujetador pueda entrar en contacto con el cableado oculto.**

Si el sujetador entra en contacto con un cable con corriente, las partes metálicas expuestas de la herramienta eléctrica pueden transmitir esa corriente y producir una descarga eléctrica al operador.

5. **No coloque las manos ni otras partes del cuerpo cerca de la broca ni del portabrocas durante la operación.** Sujete el taladro detornillador solamente por su empuñadura.
6. **Debido a que la herramienta inalámbrica funciona con energía de la batería, tenga en cuenta que puede comenzar a funcionar en cualquier momento.**
7. **Cuando trabaje en lugares elevados, despeje el área de otras personas y tenga en cuenta las condiciones que haya debajo de usted.**
8. **No toque nunca las piezas móviles.** No coloque nunca sus manos, dedos, ni demás partes del cuerpo cerca de las piezas móviles de la herramienta.
9. **No utilice nunca la herramienta sin los protectores colocados en su lugar.** No utilice nunca esta herramienta sin los protectores de seguridad correctamente instalados. Si el trabajo de mantenimiento o de reparación requiere el desmontaje de un protector de seguridad, cerciórese de volver a instalarlo antes de utilizar la herramienta.
10. **Utilice la herramienta correcta.** No fuerce herramientas ni accesorios pequeños para realizar un trabajo pesado. No utilice las herramientas para fines no proyectados, por ejemplo, no utilice esta amoladora angular para cortar madera.
11. **No utilice nunca una herramienta eléctrica para aplicaciones que no sean las especificadas.** No utilice nunca una herramienta eléctrica para aplicaciones no especificadas en este manual de instrucciones.
12. **Maneje correctamente la herramienta.** Maneje la herramienta de acuerdo con las instrucciones ofrecidas aquí. No deje caer ni tire la herramienta. No permita nunca que los niños ni otras personas no autorizadas ni familiarizadas con la operación de la herramienta utilicen ésta.
13. **Mantenga todos los tornillos, pernos, y cubiertas firmemente fijados en su lugar.** Mantenga todos los tornillos, pernos, y cubiertas firmemente montados. Compruebe periódicamente su condición.
14. **No utilice herramientas eléctricas si la carcasa o la empuñadura de plástico está rajada.** Las rajaduras en la carcasa o en la empuñadura de plástico pueden conducir a descargas eléctricas. Tales herramientas no deberán utilizarse mientras no se hayan reparado.

15. Las cuchillas y los accesorios deberán montarse con seguridad en la herramienta.

Evite lesiones personales y de otras personas. Las cuchillas, los accesorios de corte, y demás accesorios montados en la herramienta deberán fijarse con seguridad.

16. No utilice nunca una herramienta defectuosa o que funcione anormalmente.

Si la herramienta parece que funciona anormalmente, produciendo ruidos extraños, etc., deje inmediatamente de utilizarla y solicite su arreglo a un centro de reparaciones autorizado por metabo HPT.

17. Maneje con cuidado las herramientas eléctricas.

Si una herramienta eléctrica se ha caído o ha chocado inadvertidamente contra materiales duros, es posible que se haya deformado, rajado, o dañado.

18. No limpie las partes de plástico con disolvente.

Los disolventes, como gasolina, diluidor de pintura, bencina, tetracloruro de carbono, y alcohol pueden dañar o rajar las partes de plástico. No las limpie con tales disolventes.

Limpie las partes de plástico con un paño suave ligeramente humedecido en agua jabonosa y después séquelas bien.

19. Siempre utilice protección para los ojos que satisfaga los requisitos de la última versión de la norma Z87.1 de ANSI.



20. No use el producto si la herramienta o los terminales de la batería (el soporte de la batería) están deformados.

Instalar tal batería podría causar un cortocircuito que podría resultar en emisiones de humo o incendios.

21. Mantenga los terminales de la herramienta (soporte de la batería) libres de virutas y polvo.

○ Antes de su uso, asegúrese de que no se han acumulado virutas ni polvo en la zona de los terminales.

○ Durante el uso, intente evitar que las virutas o el polvo de la herramienta caigan sobre la batería.

○ Al suspender la operación o tras el uso, no deje la herramienta en un área donde pueda estar expuesta a las virutas o al polvo que caen.

De lo contrario, podría causar un cortocircuito que podría resultar en emisiones de humo o incendios.

22. Definiciones para los símbolos utilizados en esta herramienta

V voltios

≡ corriente continua

No velocidad sin carga

---/min.... revoluciones o reciprocación por minuto

INSTRUCCIONES IMPORTANTES DE SEGURIDAD PARA EL CARGADOR DE BATERÍAS

⚠ ADVERTENCIA

La utilización inadecuada del cargador de baterías puede resultar en lesiones serias o en la muerte. Para evitar estos riesgos, siga las instrucciones de seguridad ofrecidas a continuación.

LEA TODAS LAS INSTRUCCIONES

1. Este manual contiene instrucciones importantes de seguridad para el cargador de baterías modelo UC18YSL3.
2. Antes de utilizar el cargador de baterías, lea todas las instrucciones y tenga en cuenta las marcas de precaución de (1) el cargador de baterías, (2) la batería, y (3) el producto que utiliza la batería.
3. Para reducir el riesgo de lesiones, cargue la batería recargable metabo HPT del tipo de BSL36B18 y serie BSL18. Otros tipos de baterías podrían explotar causando lesiones y daños.
4. La utilización de un accesorio no recomendado o vendido por el fabricante del cargador de baterías puede resultar en el riesgo de incendios, en descargas eléctricas, o en lesiones.
5. Para reducir el riesgo de dañar el cable y el enchufe, para desconectar el cable del cargador de baterías, tire del enchufe.
6. Cerciérese de que el cable quede situado donde no pueda pisarse, donde nadie pueda tropezar con él, y donde no pueda recibir daños.
7. A menos que sea absolutamente necesario, no deberá utilizarse un cable prolongador. La utilización de un cable prolongador inadecuado podría resultar en el riesgo de incendios y descargas eléctricas. Cuando tenga que utilizar un cable prolongador, cerciéreese de que:
 - a. El enchufe del cable prolongador sea igual en tamaño y forma que el del cargador de baterías;
 - b. El cable prolongador esté adecuadamente conectado y en buenas condiciones eléctricas; y
 - c. Que el calibre del cable sea suficiente para el amperaje de CA del cargador de baterías, como se especifica en la Tabla 1.

Tabla 1

CALIBRE (AWG) MÍNIMO RECOMENDADO PARA CABLES PROLONGADORES PARA EL CARGADOR DE BATERÍAS

| Amperaje nominal de entrada de CA* | | Calibre (AWG) del cable | | | |
|------------------------------------|-----------------|-----------------------------------|---------|----------|----------|
| Igual o superior a | pero inferior a | Longitud del cable, Pies (metros) | | | |
| | | 25 (7.5) | 50 (15) | 100 (30) | 150 (45) |
| 0 | 2 | 18 | 18 | 18 | 16 |
| 2 | 3 | 18 | 18 | 16 | 14 |
| 3 | 4 | 18 | 18 | 16 | 14 |

* Si la entrada nominal del cargador de baterías se indica en vatios en vez de amperios, el amperaje nominal correspondiente se determinará dividiendo el vataje por la tensión, por ejemplo:

$$\frac{1,250 \text{ vatios}}{125 \text{ voltios}} = 10 \text{ amperios}$$

8. No utilice el cargador de baterías con un cable o un enchufe dañado. Si están dañados, reemplácelos inmediatamente.
 9. No utilice el cargador de baterías si ha recibido un golpe, si ha caído, o si está dañado de alguna otra forma. Llévelo a un técnico cualificado.
 10. No desarme el cargador de baterías. Cuando necesite reparación, llévelo a un técnico cualificado. El reensamblaje incorrecto podría resultar en el riesgo de incendios o descargas eléctricas.
 11. Para reducir el riesgo de descargas eléctricas, desenchufe el cargador del tomacorriente antes de intentar realizar cualquier operación de mantenimiento o de limpiarlo. La extracción de la batería no reducirá este riesgo.
-
- INSTRUCCIONES IMPORTANTES DE SEGURIDAD PARA LA BATERÍA Y EL CARGADOR DE BATERÍAS**
-
- Usted deberá cargar la batería antes de utilizar el atornilladores de percusión inalámbrico. Antes de utilizar el cargador de baterías modelo UC18YSL3, cerciédese de leer todas las instrucciones y precauciones del mismo, de la batería, y de este manual.
RECUERDE: ¡UTILICE SOLAMENTE BATERÍA metabo HPT DEL TIPO DE BSL36B18. LOS DEMÁS TIPOS DE BATERÍAS PODRÍAN EXPLOTAR Y CAUSAR LESIONES!
1. **NUNCA** desarme la batería.
 2. **NUNCA** incinere una batería, aunque esté dañada o completamente agotada.
 3. **NUNCA** cortocircuite la batería.
 4. **NUNCA** inserte ningún objeto en las ranuras de ventilación del cargador. Si lo hiciese podría recibir descargas eléctricas o dañar el cargador de baterías.
 5. **NUNCA** cargue en exteriores. Mantenga la batería alejada de la luz solar directa, y utilícela solamente donde haya poca humedad y una buena ventilación.
 6. **NUNCA** cargue cuando la temperatura sea inferior a 14°F (-10°C) o superior a 104°F (40°C).
 7. **NUNCA** conecte dos cargadores de baterías juntos.
 8. **NUNCA** inserte objetos extraños en el orificio para la batería ni en el cargador de baterías.
 9. **NUNCA** utilice un transformador elevador para cargar.
 10. **NUNCA** utilice una fuente de alimentación de CC para cargar.
 11. **NUNCA** almacene la batería ni el cargador de la batería en lugares en los que la temperatura pueda llegar a los 104 °F (40 °C) o superar dicha temperatura, como dentro de una caja metálica o un auto.
 12. **NUNCA** exponga la batería ni el cargador de la batería a condiciones de lluvia a humedad.
 13. **SIEMPRE** utilice el cargador con un tomacorriente (120 voltios). La utilización de un cargador con cualquier otra tensión podría hacer que éste se recalentase y dañase.
 14. **SIEMPRE** espere 15 minutos por lo menos entre las cargas para evitar que el cargador se recaliente.
 15. **SIEMPRE** desconecte el cable de alimentación del tomacorriente cuando no vaya a utilizar el cargador.

Para evitar el riesgo de lesiones, siga las instrucciones ofrecidas a continuación:

⚠️ ADVERTENCIA

La utilización inadecuada de la batería o del cargador de baterías puede conducir a lesiones serias. Para evitar estas lesiones:

ADVERTENCIA DE LA BATERÍA DE LITIO

Para ampliar su duración, la batería de litio está equipada con la función de protección para detener la salida.

En los casos 1 a 3 descritos más abajo, cuando utilice este producto, incluso si tira del interruptor, el motor puede detenerse. No es un problema, sino el resultado de la función de protección.

1. Cuando la batería restante se agota, el motor se detiene.
En este caso, cárguela inmediatamente.
2. Si la herramienta se sobrecarga, el motor puede detenerse. En este caso, suelte el interruptor de la herramienta y elimine las causas de la sobrecarga. A continuación, puede volverla a utilizar.
3. Si la batería se calienta excesivamente al realizar un trabajo de sobrecarga, la potencia de la batería podría pararse.
En este caso, deje de utilizar la batería y deje que se enfríe. Posteriormente puede utilizarla de nuevo.

Asimismo, preste atención a las siguientes advertencias y precauciones.

⚠ ADVERTENCIA

Para evitar fugas de la batería, generación de calor, emisión de humo, explosiones e igniciones, preste atención a las siguientes precauciones.

1. Asegúrese de que no entran virutas o polvo en la batería.
 - Durante el trabajo, asegúrese de que no caen virutas o polvo en la batería.
 - Asegúrese de que las virutas o el polvo que caen sobre la herramienta eléctrica durante el trabajo no entran en la batería.
 - No almacene una batería sin utilizar en un lugar expuesto a virutas y polvo.
 - Antes de almacenar una batería, retire las virutas y el polvo que se haya adherido y no la almacene junto a piezas metálicas (tornillos, clavos, etc.).
2. No agujeree la batería con un objeto afilado como un clavo, no la golpee con un martillo, la pise, la tire o la exponga a fuertes impactos físicos.
3. No utilice una batería que pudiera estar dañada o deformada.
4. No utilice la batería con las polaridades cambiadas.
5. No conecte la batería directamente a salidas eléctricas o a los encendedores de cigarrillos de los coches.
6. No utilice la batería para un fin diferente a los especificados.
7. Si la carga de la batería no finaliza incluso cuando ha transcurrido un determinado tiempo de recarga, detenga inmediatamente la recarga.

8. No coloque o exponga la batería a temperaturas elevadas o alta presión como en un microondas, una secadora o un contenedor de gran presión.
9. Aléjela del fuego inmediatamente cuando se detecte una fuga o un olor raro.
10. No la utilice en un lugar donde se genere gran electricidad estática.
11. Si hay una fuga de la batería, mal olor, se genera color, está descolorida o deformada, o de algún modo funciona de forma anormal durante su utilización, recarga o almacenamiento, retírela inmediatamente del equipo o del cargador de la batería y detenga su utilización.
12. No sumerja la batería ni permita que fluidos entren en ella. La entrada de líquidos conductores, como el agua, puede provocar daños que resulten en incendios o explosiones. Guarde la batería en un lugar fresco y seco, alejado de los materiales combustibles e inflamables. Las atmósferas con gases corrosivos deben ser evitadas.

⚠ PRECAUCIÓN

1. Si el líquido de fuga de la batería entra en contacto con los ojos, no se los frote y lávelos bien con agua limpia como, por ejemplo, agua del grifo y póngase en contacto con un médico inmediatamente.
Si no se trata, el líquido podría causar problemas de visión.
2. Si el líquido de fuga entra en contacto con la piel o la ropa, lávela bien con agua limpia como, por ejemplo, agua del grifo inmediatamente.
Podría producir irritación de la piel.
3. Si observa óxido, mal olor, recalentamiento, decoloración, deformación y/u otras irregularidades al utilizar la batería por primera vez, no la utilice y devuélvasela a su proveedor o distribuidor.

⚠ ADVERTENCIA

Si un objeto extraño conductor de electricidad entra en los terminales de la batería de litio, podría producirse un cortocircuito, resultando en un riesgo de incendio. Por favor, respete los siguientes consejos cuando almacene la batería.

- **No coloque cortes conductivos, clavos, cables de acero, cables de cobre u otros cables en la caja de almacenamiento.**
- **Instale el paquete de baterías en la herramienta eléctrica o almacénelo presionando la tapa de baterías hasta que se oculten los orificios de ventilación para evitar cortocircuitos. (Ver Fig. 3)**

A PROPÓSITO DEL TRANSPORTE DE LA BATERÍA DE IONES DE LITIO

Al transportar una batería de iones de litio, tenga en cuenta las siguientes precauciones.

⚠ ADVERTENCIA

Notifique a la compañía de transporte que un paquete contiene una batería de iones de litio, informe a la compañía eléctrica de su potencia de salida y siga las instrucciones de la compañía de transporte al preparar su transporte.

- Las baterías de iones de litio que superen una potencia de salida de 100 Wh se considera que son materiales peligrosos en la Clasificación de Transporte y requieren procedimientos de aplicación especiales.

- Para el transporte en el extranjero, deberá cumplir con las leyes internacionales y las normas y regulaciones del país de destino.
- Si el BSL36B18 es instalado en la herramienta eléctrica, la potencia de salida excederá los 100 Wh y la unidad será clasificada como materiales peligrosos para la clasificación de carga.



Fig. 1

**¡GUARDE ESTAS INSTRUCCIONES
Y
PÓNGALAS A DISPOSICIÓN DE OTROS USUARIOS
Y
PROPIETARIOS DE ESTA HERRAMIENTA!**

DESCRIPCIÓN FUNCIONAL

NOTA

La información contenida en este Manual de instrucciones ha sido diseñada para ayudarle a utilizar con seguridad y mantener esta herramienta eléctrica.

NUNCA haga funcionar ni efectúe el mantenimiento de la herramienta antes de leer y comprender todas las instrucciones de seguridad contenidas en este manual.

Algunas ilustraciones de este Manual de Instrucciones pueden mostrar detalles o accesorios diferentes a los de la propia herramienta eléctrica.

NOMENCLATURA

1. Taladro atornillador inalámbrico / Taladro de percusión inalámbrico (DS36DA / DV36DA)

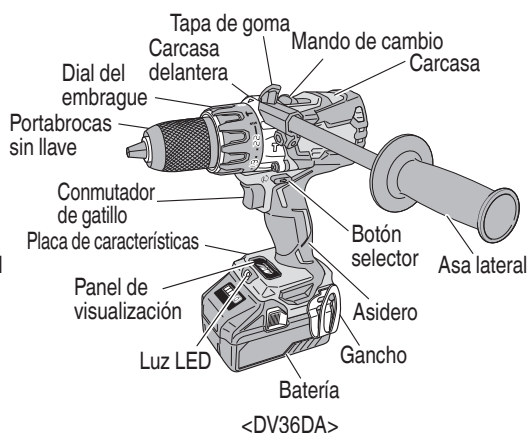
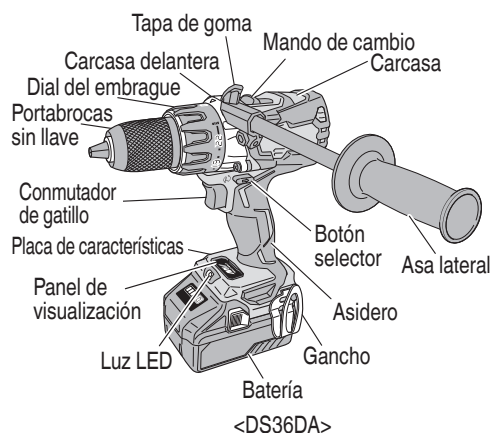
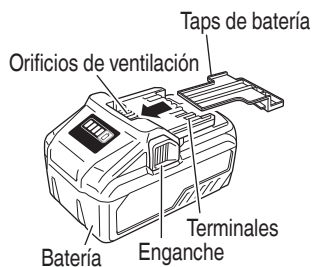


Fig. 2

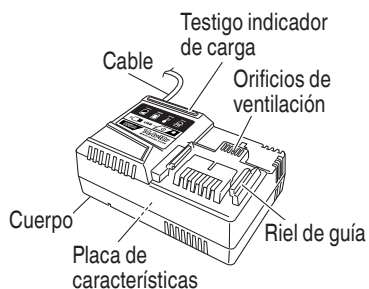
2. Batería



<BSL36B18>

Fig. 3

3. Cargador de baterías



<UC18YSL3>

Fig. 4

ESPECIFICACIONES

1. Taladro atornillador inalámbrico / Taladro de percusión inalámbrico

| | | | |
|---------------------------|----------------|---|---|
| Modelo | | DS36DA | DV36DA |
| Motor | | Motor de CC | |
| Velocidad de no carga | Bajo | 0 – 500 /min | 0 – 500 /min |
| | Alto | 0 – 2,100 /min | 0 – 2,100 /min |
| Capacidad | Taladro | Ladrillo (Profundidad 1-1/4 pulg. (30 mm)) | 25/32 pulg. (20 mm) |
| | | Madera (Grosor 11/16 pulg. (18 mm)) | 4-1/32 pulg. (102 mm) (Madera blanda) |
| | | Metal Capacidad (Grosor 1/16 pulg. (1.6 mm)) | 5/8 pulg. (16 mm) (Acero dulce) |
| | Destornillador | Tornillo para madera | 15/32 pulg. x 3-15/16 pulg. (12 mm x 100 mm) |
| | | Tornillo pequeño | 1/4 pulg. (6 mm) |
| Capacidad del portabrocas | | Diámetro máximo de sujeción 1/2 pulg. (13 mm) | |
| Batería | Modelo | BSL36B18 | |
| | Tipo | Batería de Li-ion | |
| | Tensión | CC 36 V / 18 V | |
| Peso | | 6.6 libras (3.0 kg) | 6.6 libras (3.0 kg) |

* Las baterías existentes (series BSL3660/3626/3620, BSL18xx y BSL14xx) no pueden ser usadas con esta herramienta.

2. Cargador de baterías

| | |
|--|-----------------------------|
| Modelo | UC18YSL3 |
| Fuente de alimentación de entrada | Monofásica: 120 V CA, 60 Hz |
| Tiempo de carga (A una temperatura de 68°F (20°C)) | BSL36B18 : Aprox. 52 min |
| Tensión de carga | CC 14.4 – 18 V |
| Corriente de carga | CC 8.0 A |
| Peso | 1.3 lbs. (0.6 kg) |

MONTAJE Y OPERACIÓN

APLICACIONES

<DV36DA>

- Usar como taladro de percusión
Taladrado de ladrillos blandos y bloques de hormigón.

<DS36DA / DV36DA>

- Utilización como taladro
Taladrado de materiales de acero dulce, madera, plástico, y aluminio
- Utilización como destornillador
Apriete y aflojado de tornillos para metal, tornillos para madera, y tornillos autorroscantes.

MÉTODO DE EXTRACCIÓN E INSTALACIÓN DE LA BATERÍA

- Forma de instalar la batería
Alinee la batería con la ranura de la empuñadura de la herramienta y deslícela en su lugar. Insértela siempre completamente hasta que se encuentre cerca (Fig. 4).
- Forma de extraer la batería
Extraiga la batería de la empuñadura de la herramienta mientras presiona el enganche (2 pzas.) de la batería (Fig. 5).

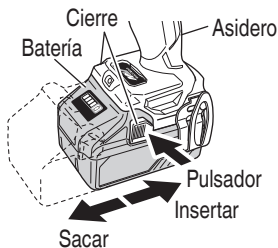


Fig. 5

MÉTODO DE CARGA

NOTA

Antes de enchufar el cargador en un tomacorriente, tenga en cuenta los puntos siguientes.

- La tensión de la fuente de alimentación está indicada en la placa de características.
- El cable no deberá estar dañado.

⚠ ADVERTENCIA

No cargue con una tensión superior a la indicada en la placa de características. Si cargase con una tensión superior a la indicada en la placa de características, el cargador se quemaría.

1. Enchufe el cable de alimentación del cargador a un tomacorriente de CA.
Cuando haya conectado el enchufe del cargador a una toma de la red, la lámpara piloto se encenderá en rojo. (A intervalos de 1 segundo)



⚠ ADVERTENCIA

No utilice el cargador si su cable está dañado. Haga que se lo reparen inmediatamente.

2. Inserte la batería en el cargador de baterías.
Inserte la batería en el cargador de baterías como se muestra en la Fig. 6.

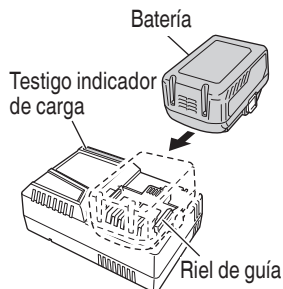




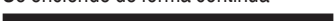




Fig. 6

3. Carga
Cuando inserte una batería en el cargador, el testigo indicador de carga parpadeará en azul.
Cuando la batería esté totalmente cargada, el testigo indicador de carga se iluminará en verde. (Consulte la Tabla 2).
- (1) Indicaciones del testigo indicador de carga
Las indicaciones del testigo indicador de carga serán tal y como se muestran en la Tabla 2, de acuerdo con la condición del cargador de baterías o de la batería.

Tabla 2

| Indicaciones del testigo indicador de carga | | | | |
|---|-------------------------------|---------------------|--|--|
| Testigo indicador de carga (ROJO/ AZUL/ VERDE/ PÚRPURA) | Antes de la carga | Parpadea (ROJO) | Se enciende durante 0.5 segundos. No se enciende durante 0.5 segundos (apagada durante 0.5 segundos).  | Conectada a la fuente de alimentación |
| | Durante la carga | Parpadea (AZUL) | Se enciende durante 0.5 segundos. No se enciende durante 1 segundo. (apagado durante 1 segundo)  | Capacidad de la batería a menos del 50% |
| | | Parpadea (AZUL) | Se enciende durante 1 segundo. No se enciende durante 0.5 segundos (apagada durante 0.5 segundos).  | Capacidad de la batería a menos del 80% |
| | | Se enciende (AZUL) | Se enciende de forma continua  | Capacidad de la batería a más del 80% |
| | Carga completada | Se enciende (VERDE) | Se enciende de forma continua  (Sonido continuo de la señal acústica: alrededor de 6 segundos) | |
| | Espera por sobrecalentamiento | Parpadea (ROJO) | Se enciende durante 0.3 segundos. No se enciende durante 0.3 segundos (apagada durante 0.3 segundos).  | Batería recalentada. No puede cargarse (la carga comenzará cuando la batería se enfríe). |
| | Carga imposible | Destellos (PÚRPURA) | Se enciende durante 0.1 segundos. No se enciende durante 0.1 segundos (apagada durante 0.1 segundos).  (Señal acústica intermitente: alrededor de 2 segundos) | Fallo de funcionamiento de la batería o del cargador |

- (2) Temperatura de las baterías
La temperatura de las baterías se muestra en la Tabla 3, y las baterías que se hayan calentado deberán dejarse enfriar durante cierto tiempo antes de cargarlas.

Tabla 3

| Baterías | Temperatura con la que podrá cargarse la batería |
|----------|--|
| BSL36B18 | 32°F - 122°F (0°C - 50°C) |

- (3) Tiempo de carga (A 68°F (20°C))

Tabla 4 Tiempo de carga

| Batería | Cargador | UC18YSL3 |
|----------|----------|----------------|
| BSL36B18 | | Aprox. 52 min. |

NOTA

El tiempo de recarga puede variar de acuerdo con la temperatura ambiental.

4. Desconecte el cargador de baterías del tomacorriente.

⚠ PRECAUCIÓN

No desconecte el cable del tomacorriente tirando del mismo.

Cerciórese de tirar del enchufe para desconectarlo del tomacorriente a fin de evitar dañar el cable.

5. Extraiga la batería del cargador de baterías. Sujetando el cargador de baterías con una mano, extraiga la batería del mismo.

NOTA

Asegúrese de extraer la batería del cargador de baterías después del uso, y guárdela después.

Descarga eléctrica en caso de baterías nuevas, etc.

Como la substancia química interna de las baterías nuevas o las que no se hayan utilizado durante mucho tiempo no está activada, la descarga eléctrica puede ser inferior cuando se utilicen por primera y segunda vez. Este fenómeno es temporal, y el tiempo normal requerido para la recarga se restablecerá recargando las baterías 2 – 3 veces.

Forma de hacer que las baterías duren más

- (1) Recargue las baterías antes de que se hayan agotado completamente.
Si siente que la potencia de la herramienta eléctrica se debilita, deje de utilizarla y recargue su batería. Si continuase utilizando la herramienta hasta agotar la capacidad de la batería, ésta podría dañarse y su duración útil podría acortarse.
- (2) Evite realizar la recarga a altas temperaturas.
Una batería se calentará inmediatamente después de haberla utilizado. Si recargase tal batería inmediatamente después de haberla utilizado, su substancia química interna se deterioraría, y la duración útil de la batería se acortaría. Deje la batería y recárguela después de que se haya enfriado durante cierto tiempo.

⚠ PRECAUCIÓN

- **Si utiliza continuamente el cargador de baterías, éste se calentará, lo que puede causar averías. Después de haber finalizado la carga, espere 15 minutos antes de realizar la carga siguiente.**
- **Si carga la batería mientras esté caliente por haber estado mucho tiempo en un lugar sometido a la luz solar directa, o por haber acabado de utilizarla, la lámpara indicadora de carga del cargador UC18YSL3 se enciende durante 0.3 segundos, no se enciende durante 0.3 segundos (apagada durante 0.3 segundos). En tales casos, deje primero que se enfríe la batería e inicie luego la carga.**
- **Cuando la lámpara piloto o la lámpara indicadora de carga parpadeen rápidamente (a intervalos de 0.2 segundos), compruebe y elimine los objetos extraños que haya en el orificio de instalación del cargador de baterías. Si no hay objetos extraños, es probable que la batería o que el cargador de baterías esté funcionando mal. Llévelos a un centro de reparaciones autorizado.**

CÓMO RECARGAR EL DISPOSITIVO USB

Cuando se produce un problema inesperado, los datos en un dispositivo USB conectado a este producto podrían dañarse o perderse. Asegúrese siempre de realizar una copia de seguridad de los datos contenidos en el dispositivo USB antes de su uso con este producto.

Tenga en cuenta que nuestra compañía no acepta ninguna responsabilidad por los datos almacenados en el dispositivo USB que se hayan dañado o perdido, ni por ningún daño que pudiera sufrir un dispositivo conectado.

⚠ ADVERTENCIA

- **Antes de usar, compruebe el cable de conexión USB en busca de cualquier defecto o daño. Usar un cable USB defectuoso o dañado puede provocar emisiones de humo o incendios.**
- **Cuando no se está usando el producto, cubra el puerto USB con la cubierta de goma. Acumulación de polvo, etc. en el puerto USB puede provocar emisiones de humo o incendios.**

NOTA

- El tiempo necesario para la carga será más largo cuando un dispositivo USB y la batería se carguen simultáneamente.
- Podría haber una pausa ocasional durante la recarga USB.
- Cuando no se esté cargando un dispositivo USB, apague la alimentación USB y retire el dispositivo USB del cargador.
De lo contrario, podría no solo reducir la vida de la batería de un dispositivo USB, pero también podría ocasionar accidentes imprevistos.

- (1) Seleccione un método de carga
Dependiendo del método de carga seleccionado, tanto si la batería se ha insertado en el cargador o si el cable de alimentación está enchufado a una toma de corriente.
 - Carga de un dispositivo USB mediante batería (Fig. 7-a)
 - Cargar un dispositivo USB desde una toma de corriente eléctrica (Fig. 7-b)
 - Cargar un dispositivo USB y su batería desde una toma de corriente eléctrica (Fig. 7-c)

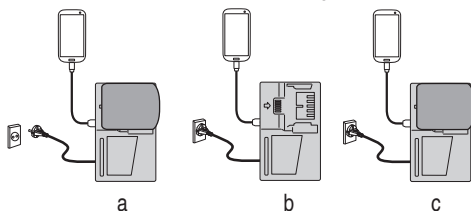


Fig. 7

- Encienda el enchufe de alimentación USB (Fig. 8)
Cuando encienda el enchufe de alimentación USB, el testigo indicador de alimentación USB se encenderá.

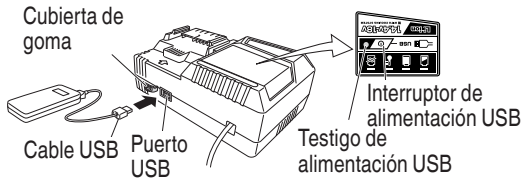


Fig. 8

- Conecte el cable USB. (Fig. 8)
Retire la cubierta de goma y enchufe con firmeza un cable USB disponible en comercios (apropiado para el dispositivo que se está cargando) en el puerto USB.
- Cuando el cable de alimentación no esté enchufado a una toma eléctrica y se agote la batería, la salida de alimentación eléctrica se detendrá y el testigo de alimentación USB se apagará.
 - Cuando el testigo indicador de alimentación USB se apague, cambie la batería o enchufe el cable de alimentación a una toma eléctrica.
- Quando se haya completado la carga
 - El testigo indicador de alimentación USB no se activará cuando un dispositivo USB se haya cargado por completo.
Para verificar el estado de carga, compruebe el dispositivo USB.
 - Apague el interruptor de alimentación USB y desenchufe el cable de alimentación de la toma de alimentación eléctrica. (Fig. 8)
 - Extraiga la batería del cargador y coloque la tapa de goma sobre el puerto USB.

ANTES DE LA UTILIZACIÓN

Compruebe el área de trabajo para cerciorarse de que esté libre de escombros y bien ordenada.
Despeje el área de personal innecesario. Cerciérese de que la iluminación y la ventilación sean adecuadas.

OPERACIÓN

- Montaje y desmontaje de la broca.
- Montaje de la broca
Afloje el manguito girándolo hacia la izquierda (en el sentido contrario a las agujas del reloj visto desde el frente) para abrir las mordazas del portabrocas sin llave. Después de insertar una broca, etc., en el portabrocas sin llave, apriete el manguito girándolo hacia la derecha (en el sentido de las agujas del reloj visto desde el frente) (Consulte la Fig. 9).

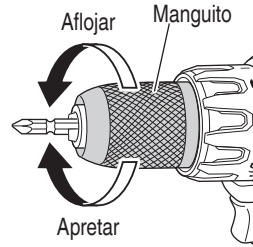


Fig. 9

NOTA

Si el manguito se llegara a aflojar durante la operación, vuélvalo a apretar.
La fuerza de apriete se vuelve mayor al apretarse el manguito.

- Desmontaje de la broca
Afloje el manguito girándolo hacia la izquierda (en el sentido contrario a las agujas del reloj visto desde el frente), y extraiga la broca, etc. (Consulte la Fig. 9)

NOTA

- Si aprieta el manguito con las mordazas del portabrocas sin llave abiertas hasta el límite máximo, se podría escuchar un ruido de clic. Este ruido es producido por el portabrocas sin llave para evitar que se afloje, y no es una anomalía.
- Cuando el manguito no pueda desatornillarse, sujete la herramienta insertada en un tornillo de carpintero, etc. ajuste el modo de embrague a 1-11, y gire el manguito hacia la izquierda mientras accione el embrague.

- Confirmar que la batería está puesta correctamente.
- Instalación/desmontaje del asa lateral. (Fig. 10)

⚠ ADVERTENCIA

Al utilizar la herramienta, asegúrese de que el asa lateral está ensamblada y asegurada firmemente.

De no estar asegurada firmemente, la herramienta podría salirse de su posición cuando esté sobrecargada, lo que podría causar lesiones.

- Quite la tapa de goma y conecte el mango lateral. (1, 2, 3)
- Para desmontar el asa lateral, afloje la empuñadura. (4) Coloque la tapa de goma en la parte saliente de la empuñadura lateral (5)

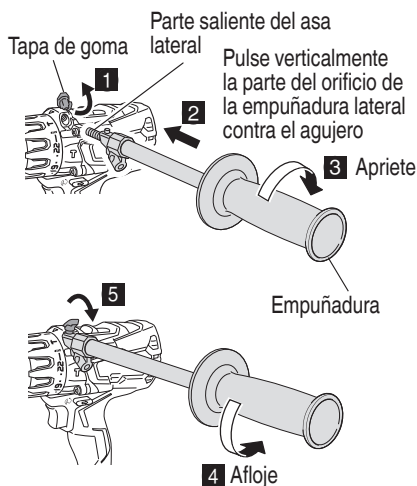


Fig. 10

4. Examinar la dirección de rotación. La broca rota hacia la derecha (mirándola desde atrás) al oprimir el lado R (der.) de inversión. El lado L (izq.) se usa para hacer girar la broca a la izquierda (Vea las Fig. 11). (Las marcas (L) y (R) están en el cuerpo del taladro.)

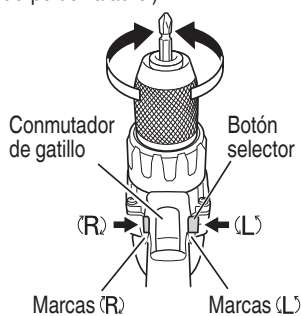


Fig. 11

- ⚠ PRECAUCIÓN**
El botón pulsador no podrá utilizarse mientras el motor de la herramienta eléctrica esté girando. Para accionarlo, parar en primer lugar el motor de la herramienta eléctrica.

5. Cambio de velocidad de rotación.

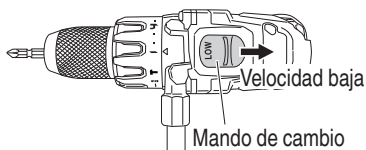


Fig. 12

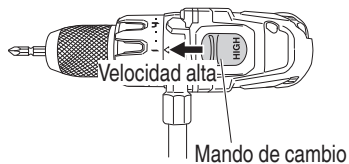


Fig. 13




Operar la perilla de cambio para cambiar la velocidad de rotación. Oprimir el botón de cierre para desenganchar el cerrojo y mover la perilla de cambio en la dirección de la flecha (Ver las Figs. 12 y 13). Cuando la perilla de cambio se deja en "LOW", el taladro gira despacio, mientras que en la marca "HIGH" gira rápidamente.

⚠ PRECAUCIÓN

- Cuando se cambia la velocidad de rotación con la perilla de cambio, confirmar que el interruptor se desconecta y la perilla selectora queda en "O" (OFF). Cambiar la velocidad mientras rota el motor puede hacer que se dañen los engranajes.
- Cuando se requiera una gran fuerza para la operación (operaciones indicadas en la tabla siguiente) ponga el mando de cambio en "LOW". Si estuviese en "HIGH" al utilizar la unidad, el motor podría quemarse o funcionar mal prematuramente.

6. Ambito y sugerencias para las utilizaciones
El ámbito de utilización para los diversos tipos de trabajos basados en la estructura mecánica de esta unidad es como se indica en la Tabla 5.

Tabla 5

| Trabajo | | Posición de la tapa | Sugerencias |
|----------------------|-----------------------|---|--|
| Taladrado | Ladrillos (DV36DA) |  | Utilización para fines de taladrado. |
| | Madera |  | Utilización para fines de taladrado. |
| | Acero | | |
| | Aluminium | | |
| Apriete de tornillos | Tornillo pequeño | 1 - 22 | Utilice la broca y el cubo adecuados al diámetro del tornillo. |
| | Tornillos para madera | 1 -  | Utilice después de haber taladrado un orificio piloto. |

7. Confirmar la posición del dial del embrague (Ver la Fig. 14).

<DS36DA>

El par de apriete de esta unidad se puede ajustar en base a la posición de ajuste del dial del embrague.

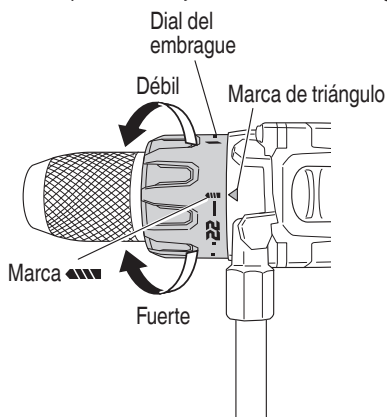


Fig. 14

- (1) Cuando utilice esta unidad como destornillador, alinee uno de los números "1, 4, 7 ... 22" del dial del embrague, o los puntos, con la marca de triángulo del cuerpo exterior.
- (2) Cuando utilice esta unidad como taladro, alinee la marca de taladro "/////" del dial del embrague con la marca de triángulo del cuerpo exterior.

⚠ PRECAUCIÓN

- El dial del embrague no se puede ajustar entre los números "1, 4, 7 ... 22" ni los puntos.
- Evite usar la unidad con el número del dial del embrague entre "22" y la línea provista en el medio de la marca del taladro "//////". Si lo hiciese, se podrían producir daños (Consulte la Fig. 15).

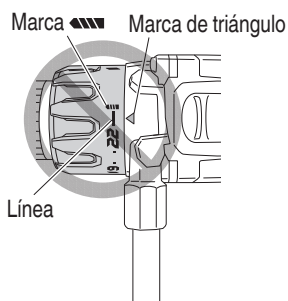


Fig. 15

<DV36DA> (Fig. 16)

La posición del dial del embrague de esta unidad permite conmutar entre los tres modos, de atornillador, de taladro y de taladro de percusión.

- (1) Cuando utilice esta unidad como atornillador, alinee uno de los números "1, 4, 7... 22" del dial del embrague, o el punto, con la marca de triángulo de la tapa exterior.
- (2) Cuando utilice esta unidad como taladro, alinee la marca de taladro "/////" del dial del embrague con la marca de triángulo del cuerpo exterior.
- (3) Cuando utilice esta unidad como un taladro de percusión, hacer coincidir la marca de martillo "T" del dial del embrague con la marca de triángulo del cuerpo exterior.

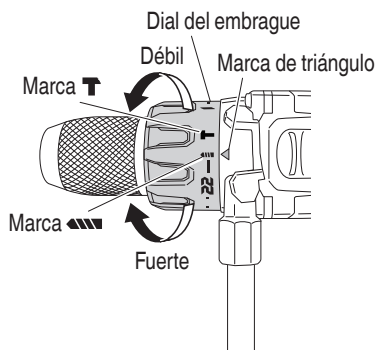


Fig. 16

⚠ PRECAUCIÓN

- El dial del embrague no puede ajustarse entre los números “1, 4, 7 ...22” o el punto.
- No usar con el dial del embrague en el número “22” y la línea en el medio de la marca de taladro. Si lo hiciese, se podrían producir daños. (Consulte la Fig. 17)

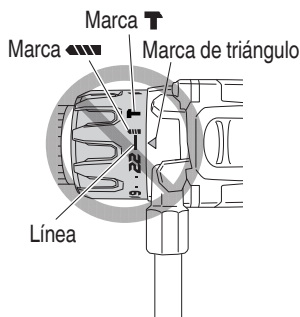


Fig. 17

8. Cambio de rotación a percusión (DV36DA)

Es posible conmutar entre “Rotación (rotación solamente)” y “Percusión (percusión + rotación)” alineando la marca de taladro “**▲▲▲**” y la marca de percusión “**T**” con la marca de triángulo del cuerpo exterior.

- Para hacer agujeros en metal, madera o plástico, cambie a “Rotación (rotación solamente)”.
- Para hacer agujeros en ladrillos o bloques de hormigón, cambie a “Percusión (percusión + rotación)”.

⚠ PRECAUCIÓN

No utilice el taladro atornillador de impacto a batería en el ajuste “Hammer” si el material se puede perforar mediante rotación solamente.

Tal acción no sólo reducirá la eficiencia de taladrado, sino que se podrá dañar la broca de taladro.

9. Ajuste del par de apriete.

(1) Par de apriete

La intensidad del par de apriete deberá corresponder con el diámetro del tornillo. Cuando se utiliza un par excesivo el tornillo se romperá o se dañará su cabeza. Asegúrese de ajustar la posición del dial del embrague de acuerdo con el diámetro del tornillo.

(2) Indicación del par de apriete (Consulte la Fig. 14, 16)

El par de apriete difiere según el tipo de tornillo y del material que se está apretando.

La unidad indica el par de apriete mediante los números “1, 4, 7 ... 22” que aparecen en el dial del embrague, y los puntos. El par de apriete en la posición “1” es el más débil, y el más fuerte es el del número más alto.

(3) Ajuste del par de apriete (Consulte la Fig. 14, 16)

Gire el dial del embrague y alinee los números “1, 4, 7, ... 22” del dial del embrague, o los puntos, con la marca de triángulo provista en el cuerpo exterior. Ajuste la tapa en la dirección de par débil o fuerte, según el par que necesite.

10. Operación del interruptor

○ Cuando se tira del gatillo del interruptor, la herramienta gira.

Cuando se suelta el gatillo, la herramienta se detiene. Cuando presione el disparado, el freno se aplicará inmediatamente.

○ La velocidad rotacional de la taladradora podrá controlarse variando la presión con la que se tire del interruptor de gatillo. La velocidad será baja cuando se tire ligeramente del gatillo, y aumentará a medida que se tire más de él.

11. Para taladrar ladrillos y metal (DV36DA)

La fuerza excesiva no aumentará la velocidad de taladrado. No solamente dañará la punta de la broca o reducirá la eficacia de trabajo, sino que también acortará la duración útil de la broca. Utilice el talado de percusión con una fuerza de presión de 10-20 kg cuando taladre ladrillos.

⚠ PRECAUCIÓN

● El giro del motor podrá trabarse mientras que se usa la unidad como taladro.

Tenga cuidado de no bloquear el motor mientras que se está operando el atornillador taladro.

● Si se traba el motor, desconectarlo de inmediato. Si el motor se traba por cierto tiempo, puede quemarse tanto él como la batería.

● Un apriete excesivo podrá causar la rotura del tornillo.

12. Modo de seleccionar el par de apriete y la velocidad de rotación

⚠ PRECAUCIÓN





- Los ejemplos de selección mostrados en la Tabla 6 deberán considerarse como el estándar general ya que en la actualidad se utilizan diferentes tipos de tornillos de apriete y diferentes materiales a ser apretados todos los cuales, necesitan naturalmente los ajustes apropiados.
- Si utiliza el taladro atornillador/taladro de percusión con un tornillo mecánico en HIGH (alta velocidad), es posible que el tornillo se dañe o

que se afloje la broca debido a que el par de apriete es demasiado fuerte. Emplee el taladro atornillador/taladro de percusión en LOW (baja velocidad) cuando utilice tornillos mecánicos.

NOTA

La utilización de la batería en lugares fríos (menos de 0 grados centígrados) puede resultar a veces en la reducción del par de apriete y el rendimiento del trabajo. Sin embargo, éste es un fenómeno temporal y, cuando la batería se caliente, volverá a la normalidad.

Tabla 6

| Utilizaciones | | Posición de la cubierta | Selección de la velocidad de rotación (Posición del mando de cambio) | |
|----------------------|-----------------------|---|--|---|
| | | | LOW (Baja velocidad) | HIGH (Alta velocidad) |
| Apriete de tornillos | Tornillo para metales | 1 - 22 | Para tornillos de 1/4 pulg. (6 mm) de diámetro o menos. | Para tornillos de 1/4 pulg. (6 mm) de diámetro o menos |
| | Tornillo para madera | 1 -  | Para tornillos de 15/32 pulg. (12 mm) de diámetro nominal o menos. | Para tornillos de 1/4 pulg. (6 mm) de diámetro nominal o menos. |
| Taladrado | Ladrillos (DV36DA) |  | Para diámetro de 25/32 pulg. (20 mm) o menos. | Para diámetro de 1/2 pulg. (13 mm) o menos. |
| | Madera |  | Para diámetro de 4-1/32 pulg. (102 mm) o menos. | Para diámetro de 1-1/2 pulg. (38 mm) o menos. |
| | Metal |  | — | Para taladrar con un taladro de trabajos en hierro. |

13. Indicador de batería restante

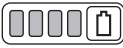

Puede comprobar la capacidad restante de la batería presionando el interruptor del indicador de batería restante para encender la lámpara indicadora. (Fig. 18, Tabla 7)






El indicador se apaga aproximadamente 3 segundos después de pulsar el interruptor del indicador de batería restante.

Se recomienda utilizar el indicador de batería restante como guía dado que hay ligeras diferencias tales como la temperatura ambiente y el estado de la batería.

Asimismo, el indicador de batería restante podría variar de aquellos equipados en la herramienta o en el cargador.

Tabla 7

| Estado de la lámpara | Carga de batería restante |
|---|---|
|  | Se enciende; La carga restante de la batería se encuentra por encima del 75%. |
|  | Se enciende; La carga restante de la batería es del 50% - 75%. |

| | |
|---|---|
|  | Se enciende; La carga restante de la batería es del 25% - 50%. |
|  | Se enciende; La carga restante de la batería es menos del 25%. |
|  | Parpadea; La carga restante de la batería está prácticamente agotada. Cargue la batería lo antes posible. |
|  | Parpadea; La salida se suspendió debido a una alta temperatura. Extraiga la batería de la herramienta y deje que se enfríe. |
|  | Parpadea; Salida suspendida debido a un fallo o mal funcionamiento. El problema puede estar relacionado con la batería, contáctese con su distribuidor. |

Dado que el indicador de batería restante muestra resultados ligeramente diferentes según la temperatura ambiental y las características de la batería, utilice su lectura como referencia.

Lámpara
indicadora de
batería restante

Interruptor del
indicador de
batería restante

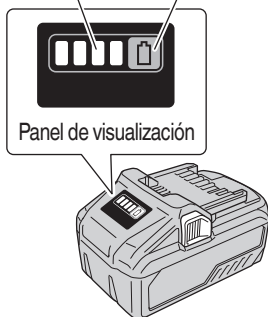


Fig. 18

NOTA

Tenga cuidado de no dar sacudidas fuertes al panel de la pantalla o romperlo. Pueden producirse problemas.

14. Uso de la luz LED

Cuando se tira del interruptor, la luz LED iluminará automáticamente la parte de la punta de la herramienta. (Fig. 19)

La luz LED se apagará automáticamente 10 segundos después de liberar el interruptor.

La luz LED también funciona como una señal de advertencia que se ilumina durante el uso.

Para obtener más información, consulte "17. Señales de aviso de luz LED".

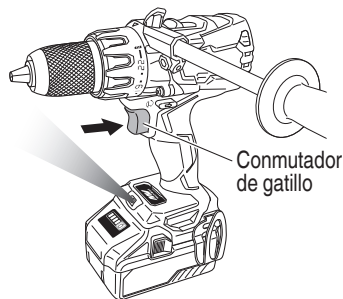


Fig. 19

⚠ PRECAUCIÓN

- No exponga los ojos directamente a la luz; evite mirar hacia ella directamente. Si los ojos están expuestos de manera continua a la luz, pueden resultar lesionados.

- Limpie cualquier resto de polvo o suciedad enganchado al objetivo de la luz LED con un paño suave, procurando no rayar la lente. Los arañazos en la lente de la luz LED pueden resultar en una reducción de brillo.

15. Uso del gancho

El gancho se usa para colgarse la herramienta con alimentación eléctrica del cinturón mientras se trabaja.

⚠ PRECAUCIÓN

- Cuando se utiliza el gancho, se debe sujetar la herramienta con firmeza para que no se caiga por accidente. Al caer, puede provocar un accidente.
- Cuando elija transportar la herramienta enganchada a su cinturón, asegúrese de desensamblar el taladro de la herramienta y el asa lateral. De lo contrario podrían producirse lesiones imprevistas.
- Instale el gancho de forma segura. Si no está correctamente colocado, puede provocar lesiones durante su uso.

(1) Retirada del gancho.

Extraiga los tornillos que sujetan el gancho con un destornillador Philips. (Fig. 20)

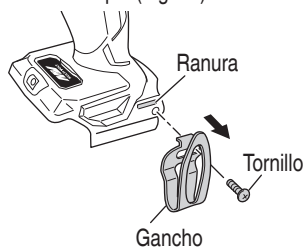


Fig. 20

(2) Colocación del gancho y ajuste de los tornillos.

Instale el gancho en la ranura de la herramienta de alimentación eléctrica de forma segura y apriete los tornillos de manera que el gancho quede firmemente sujeto. (Fig. 21)

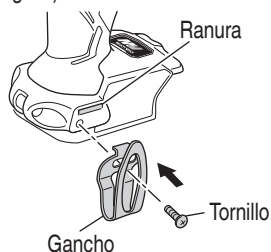


Fig. 21

PRECAUCIONES OPERACIONALES

Reposo de la herramienta después de un funcionamiento prolongado

- (1) La herramienta eléctrica está equipada con un circuito de protección de la temperatura para proteger el motor. Apretar las tuercas continuamente puede hacer que la temperatura de la unidad aumente, activando el circuito de protección de la temperatura y parando el funcionamiento automáticamente.

Si ocurre esto, deje que la herramienta eléctrica se enfríe antes de volverla a utilizar.

- (2) Tras una tarea de apriete de tornillos de madera, deje la unidad en reposo durante unos 15 minutos al reemplazar la batería. Si reinicia la tarea inmediatamente después de reemplazar la batería, aumentaría la temperatura del motor, del interruptor, etc., con los consiguientes riesgos de quemadura.

MANTENIMIENTO E INSPECCIÓN

⚠ PRECAUCIÓN: Extraiga la batería antes de realizar cualquier trabajo de inspección o de mantenimiento.

1. Comprobación de las condiciones de la broca
Las brocas deberán comprobarse regularmente. Si una broca está desgastada o rota, puede patinar o reducir la eficacia del motor, o hacer que se queme. Reemplace las brocas gastadas por otras nuevas.

⚠ PRECAUCIÓN
Si utiliza una broca de destornillador con su punta desgastada o rota, puede resultar peligroso, porque patinará. Por lo tanto reemplácela por otra nueva.

2. Comprobación de los tornillos
Los tornillos son peligrosos. Inspecciónelos regularmente y cerciórese de que estén bien apretados.

⚠ PRECAUCIÓN
La utilización de una herramienta eléctrica con tornillos flojos es extremadamente peligrosa.

3. Comprobación del polvo
El polvo podrá eliminarse con un paño suave y seco o ligeramente humedecido en agua jabonosa. No utilice lejía, cloro, gasolina, ni diluidor de pintura, porque podrían dañar el plástico.
4. Inspección de los terminales (herramienta y batería)
Compruebe para asegurarse de que no se han acumulado virutas ni polvo en los terminales. En ocasiones verifique antes, durante y después de la operación.

⚠ PRECAUCIÓN
Retire las virutas o el polvo que pudiera haberse acumulado en los terminales.
De lo contrario puede producirse un fallo en el funcionamiento.

5. Eliminación de las baterías agotadas

⚠ ADVERTENCIA

No tire las baterías agotadas. Las baterías pueden explotar si se incineran. El producto que ha adquirido contiene una batería. La batería es reciclable. Cuando se agote su duración útil, de acuerdo con las leyes estatales y locales, puede ser ilegal tirar esta batería a la basura. Solicite a las autoridades locales los detalles sobre las opciones de reciclado o de la forma de deshacerse apropiadamente de la batería.

6. Almacenamiento
Guarde la herramienta en un lugar con menos de 104°F (40°C) y fuera del alcance de niños.

NOTA

Almacenar baterías de ion-litio
Compruebe que las baterías de ion-litio se han cargado completamente antes de almacenarlas. Un almacenamiento prolongado de las baterías (3 meses o más) con carga baja podría deteriorar su funcionamiento, reduciendo en gran medida el tiempo de uso de la batería o haciendo que las baterías no puedan mantener una carga. No obstante, la reducción en gran medida del tiempo de uso de la batería puede recuperarse si se carga y utiliza de dos a cinco veces. Si el tiempo de uso de la batería es extremadamente corto a pesar de haber cargado y utilizado la batería varias veces, deberá considerarla agotada y comprar una nueva.

7. Mantenimiento y reparación

Todas las herramientas eléctricas de calidad requieren de vez en cuando el servicio de mantenimiento o el reemplazo de piezas debido al desgaste producido durante la utilización normal. Para asegurarse de que solamente se utilicen piezas de reemplazo autorizadas, todos los servicios de mantenimiento y reparación deberán realizarse SOLAMENTE EN UN CENTRO DE REPARACIONES AUTORIZADO POR metabo HPT.

Aviso importante sobre las pilas de las herramientas inalámbricas de metabo HPT

Utilice siempre una de nuestras pilas genuinas. No podemos garantizar la seguridad y el funcionamiento de nuestra herramienta eléctrica inalámbrica cuando se utiliza con pilas diferentes a las indicadas por nosotros o cuando la pila se desmonta y modifica (como cuando se desmontan y sustituyen celdas u otras piezas internas).

⚠ PRECAUCIÓN

En el manejo y el mantenimiento de las herramientas eléctricas, se deberán observar las normas y reglamentos vigentes en cada país.

GUIA DE IDENTIFICACION DE PROBLEMAS

⚠ ADVERTENCIA

- Para evitar sufrir lesiones debido a un arranque accidental, ponga el interruptor en la posición OFF (apagado) y retire el enchufe de la lijadora de la fuente de alimentación antes de hacer cualquier ajuste.
- Todas las reparaciones eléctricas o mecánicas deberán ser realizadas únicamente por técnicos de servicio calificados. Póngase en contacto con un Centro de Servicio Autorizado de metabo HPT.

1. Herramienta eléctrica

| Problema | Posible Causa | Posible Solución |
|---|---|--|
| La herramienta no funciona | No hay carga restante en la batería | Cargue la batería. |
| | La batería no está bien ensamblada. | Inserte la batería hasta que se escuche un clic. |
| La herramienta se ha detenido repentinamente | La herramienta se ha sobrecargado | Elimine la causa de la sobrecarga. |
| | Se ha activado el control de fuerza reactiva | Consulte "Control de fuerza reactiva". |
| | Batería o herramienta sobrecalentada | Deje que la herramienta y la batería se enfrien por completo. |
| Las brocas de la herramienta -no se pueden ensamblar -se caen | La forma de la parte a ensamblar no coincide | El diámetro del mandrinado del portabrocas sin llave es de 1/16 pulg. (1.5 mm) a 1/2 pulg. (13 mm). Utilice una parte que caiga dentro del rango indicado. |
| | El bloqueo del portabrocas sin llave está desgastado | Póngase en contacto con un centro de servicio autorizado de metabo HPT para que el portabrocas sin llave sea sustituido por uno nuevo. |
| No se puede tirar del interruptor | El botón de selección hacia adelante/atrás está situado en la mitad | Pulse el botón firmemente en la posición de dirección de rotación deseada. |
| La cabeza del tornillo se cae o se afloja. | El número de broca no coincide con el tamaño del tornillo | Instale una broca adecuada. |
| | La broca está gastada | Sustitúyala por una nueva. |

| Problema | Posible Causa | Posible Solución |
|--|--|---|
| No se pueden taladrar orificios de manera suave. | El taladro está desgastado | Sustitúyalo por uno nuevo. |
| | La velocidad de rotación no es la adecuada | Ajuste la velocidad de rotación (ALTA/BAJA) para que coincida con el material a perforar. |
| | El taladro se gira en sentido inverso | Cambie a rotación hacia adelante. |
| No se puede instalar la batería | Intentar instalar otra batería que no sea la especificada para la herramienta. | Instale una batería de tipo voltio múltiple. |

2. Cargador

| Problema | Posible Causa | Posible Solución |
|--|--|--|
| El testigo indicador de carga está parpadeando en púrpura rápidamente y la carga de la batería no comienza. | La batería no está insertada por completo. | Inserte la batería con firmeza. |
| | Hay materia extraña en el terminal de la batería o donde la batería está acoplada. | Quite la materia extraña. |
| El testigo indicador de carga parpadea en rojo y la batería no se carga. | La batería no está insertada por completo. | Inserte la batería con firmeza. |
| | La batería se ha sobrecalentado. | Si se deja así, la batería comenzará a cargarse automáticamente si su temperatura disminuye, pero esto podría reducir su vida útil. Se recomienda dejar enfriar la batería en un lugar bien ventilado alejado de la luz solar directa antes de cargarla. |
| El tiempo de uso de la batería es corto aunque esté totalmente cargada. | La batería se ha agotado. | Sustituya la batería por una nueva. |
| La batería tarda mucho tiempo en cargarse. | La temperatura de la batería, el cargador o los alrededores es extremadamente baja. | Cargue la batería en el interior o en otro lugar más cálido. |
| | Las rejillas del cargador están bloqueadas provocando el sobrecalentamiento de los componentes internos. | Evite bloquear las rejillas. |
| | El ventilador de enfriamiento no está funcionando. | Contacte con un Centro de reparaciones autorizado por metabo HPT para las reparaciones. |
| El indicador luminoso de alimentación USB se ha apagado y el dispositivo USB ha detenido la carga. | La capacidad de la batería es baja. | Sustituya la batería por una que tenga capacidad. |
| | | Enchufe la toma de corriente del cargador a una toma eléctrica. |
| El indicador luminoso de alimentación USB no se apaga aunque el dispositivo USB ha finalizado el proceso de carga. | El indicador luminoso de alimentación USB se ilumina en verde para indicar que es posible realizar la carga USB. | Esto no es un fallo de funcionamiento. |

| Problema | Posible Causa | Posible Solución |
|--|--|--|
| No está claro cuál es el estado de carga de un dispositivo USB, o si la carga se ha completado. | El indicador luminoso de alimentación USB no se apaga aunque la carga se ha completado. | Examine el dispositivo USB que se está cargando para comprobar su estado de carga. |
| La carga de un dispositivo USB se para a la mitad. | El cargador se conectó a una toma eléctrica mientras el dispositivo USB se estaba cargando utilizando la batería como fuente de alimentación. | Esto no es un fallo de funcionamiento. El cargador pausa la carga USB durante unos 5 segundos cuando diferencia entre fuentes de alimentación. |
| | Se insertó una batería en el cargador mientras el dispositivo USB se estaba cargando utilizando una toma de corriente como fuente de alimentación. | |
| La carga del dispositivo USB se pausa a la mitad cuando la batería y el dispositivo USB se están cargando al mismo tiempo. | La batería se ha cargado por completo. | Esto no es un fallo de funcionamiento. El cargador pausa la carga USB durante unos 5 segundos mientras comprueba si la batería ha completado la carga. |
| La carga del dispositivo USB no se inicia cuando la batería y el dispositivo USB se están cargando al mismo tiempo. | La capacidad de batería restante es extremadamente baja. | Esto no es un fallo de funcionamiento. Cuando la capacidad de la batería alcanza un determinado nivel, la carga USB comienza automáticamente. |

ACCESORIOS

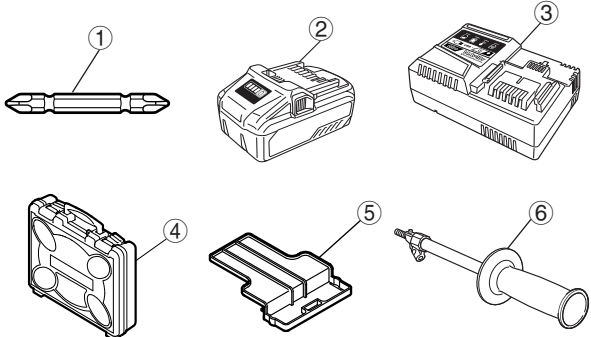
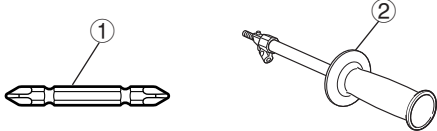
⚠ ADVERTENCIA

UTILICE únicamente repuestos y accesorios autorizados por metabo HPT. No utilice nunca repuestos o accesorios no previstos para usar con esta herramienta. Si tiene dudas en cuanto a la seguridad de usar determinado repuesto o accesorio junto con su herramienta, póngase en contacto con metabo HPT. La utilización de otros accesorios puede resultar peligrosa y causar lesiones o daños mecánicos.

NOTA

Las especificaciones están sujetas a cambio sin ninguna obligación por parte de metabo HPT.

ACCESORIOS ESTÁNDAR

| | |
|--------------------------------------|--|
| DS36DA DV36DA (2WCK) |  <p> ① Broca de punta Phillips (Núm. 2 × 65L) (Nº de código 983006) 1 ② Batería (BSL36B18) 2 ③ Cargador de baterías (UC18YSL3) 1 ④ Caja de plástico (Nº de código 339778) 1 ⑤ Taps de batería (Nº de código 329897) 1 ⑥ Asa lateral (Nº de código 339770) 1 </p> |
| DS36DA (NN) DV36DA (NN) |  <p> ① Broca de punta Phillips (Núm. 2 × 65L) (Nº de código 983006) 1 ② Asa lateral (Nº de código 339770) 1 </p> |

ACCESORIOS OPCIONALES.....de venta por separado

- Batería (BSL36B18)

NOTA

Las especificaciones están sujetas a cambio sin ninguna obligación por parte de metabo HPT.

WARNING:

Some dust created by power sanding, sawing, grinding, drilling, and other construction activities contains chemicals known to the State of California to cause cancer, birth defects or other reproductive harm. Some examples of these chemicals are:

- Lead from lead-based paints,
- Crystalline silica from bricks and cement and other masonry products, and
- Arsenic and chromium from chemically-treated lumber.

Your risk from these exposures varies, depending on how often you do this type of work. To reduce your exposure to these chemicals: work in a well ventilated area, and work with approved safety equipment, such as those dust masks that are specially designed to filter out microscopic particles.

AVERTISSEMENT:

La poussière résultant d'un ponçage, d'un sciage, d'un meulage, d'un perçage ou de toute autre activité de construction renferme des produits chimiques qui sont connus par l'Etat de Californie pour causer des cancers, des défauts de naissance et autres anomalies de reproduction. Nous énumérons ci-dessus certains de ces produits chimiques:

- Plomb des peintures à base de plomb,
- Silice cristalline des briques et du ciment et autres matériaux de maçonnerie, et
- Arsenic et chrome du bois d'oeuvre traité chimiquement.

Le risque d'exposition à ces substances varie en fonction de la fréquence d'exécution de ce genre de travail. Pour réduire l'exposition à ces produits chimiques, travailler dans un lieu bien ventilé, et porter un équipement de protection agréé, par exemple un masque anti-poussière spécialement conçu pour filter les particules microscopiques.

ADVERTENCIA:

Algunos polvos creados por el lijado mecánico, el aserrado, el esmerilado, el taladrado y otras actividades de construcción contienen sustancias químicas conocidas por le Estado de California como agentes cancerígenos, defectos congénitos y otros daños reproductores. Algunos ejemplos de estas sustancias químicas son:

- El plomo de las pinturas a base de plomo,
- El sílice cristalino de los ladrillos y cemento y otros productos de mampostería, y
- El arsénico y el cromo de la madera tratada químicamente.

El riesgo resultante de la exposición varía según la frecuencia con que se realiza este tipo de trabajo. Para reducir la exposición a esta sustancias químicas: trabaje en un lugar bien ventilado y realice el trabajo utilizando el equipamiento apropiado, tal como las máscaras para el polvo especialmente diseñados para eliminar las partículas minúsculas.



Please contact Koki Holdings America Ltd. at 1-800-59-TOOLS (toll free), or metabo HPT AUTHORIZED POWER TOOL SERVICE CENTER regarding COLLECTION.

Pour le RAMASSAGE, contacter Koki Holdings America Ltd. au 1-800-59-TOOLS (appel gratuit), ou UN SERVICE APRÈS-VENTE D'OUTILS ÉLECTRIQUE AGRÉÉ PAR metabo HPT.

Con respecto a la RECOLECCIÓN de baterías, póngase en contacto con Koki Holdings America Ltd. número 1-800-59-TOOLS (llamada gratis), o con metabo HPT AUTHORIZED POWER TOOL SERVICE CENTER.

Issued by

Koki Holdings Co., Ltd.

Shinagawa Intercity Tower A, 15-1, Konan 2-chome,
Minato-ku, Tokyo 108-6020, Japan

Distributed by

Koki Holdings America Ltd.

1111 Broadway Ave,
Braselton, Georgia, 30517

Koki Holdings America Ltd. Canadian Branch

3405 American Drive, Units 9-10,
Mississauga, ON, L4V 1T6