

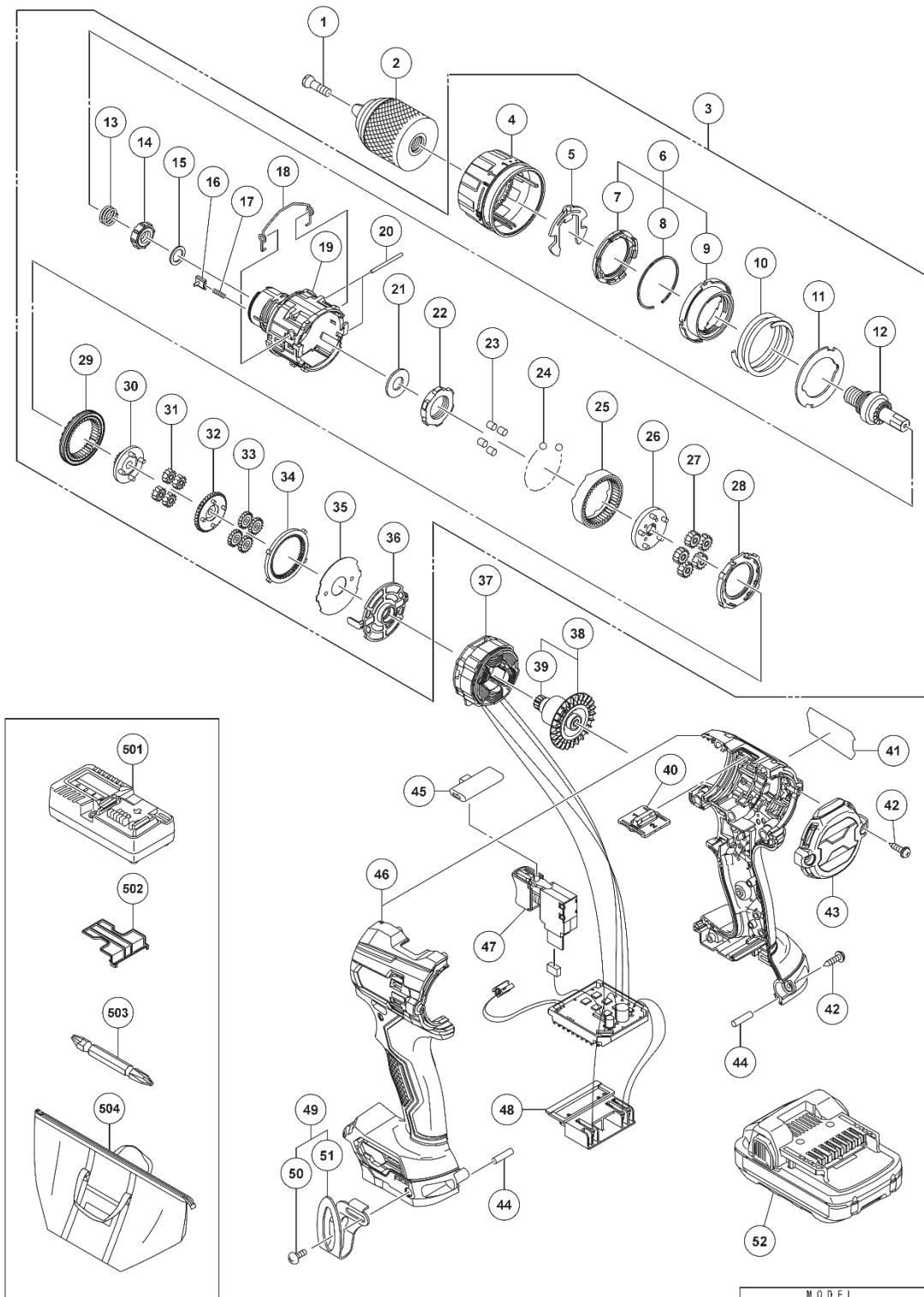
ELECTRIC TOOL PARTS LIST

■ CORDLESS DRIVER DRILL

2022 • 11 • 14

Model DV 18DEX

(E1)



Rev.1

MODEL
DV18DEX

PARTS

DV18DEX

ITEM NO.	CODE NO.	DESCRIPTION	NO. USED	REMARKS
1	379124	HEXALOBULA SCREW (LEFT HAND) M6	1	
2	335961	DRILL CHUCK 13VLRU-N (W/O CHUCK WRENCH)	1	
3	379096	GEAR BOX ASS'Y	1	INCLUD.4-6.10-36
4	379102	CLUTCH DIAL (V)	1	
5	327146	CLICK SPRING	1	
6	379100	NUT COVER ASS'Y	1	INCLUD.7-9
7	379925	COVER	1	
8	379101	C-RING	1	
9	379114	NUT	1	
10	370607	SPRING	1	
11	370603	THRUST PLATE	1	
12	379099	SPINDLE	1	
13	327136	SPRING (C)	1	
14	339772	RATCHET (B)	1	
15	327147	WASHER (A)	1	
16	379098	SLIP BLOCK	2	
17	327133	STOPPER SPRING	2	
18	370608	SHIFT ARM	1	
19	379097	GEAR CASE	1	
20	379268	NEEDLE ROLLER (A) SET D2.2 (2 PCS.)	2	
21	328717	WASHER (B)	1	
22	370609	LOCK RING	1	
23	319744	ROLLER	4	
24	306936	STEEL BALL D5	6	
25	379116	RING GEAR	1	
26	379115	CARRIER	1	
27	379267	PLANET GEAR (C) SET (5 PCS.)	5	
28	379117	SHIFT DOG	1	
29	379119	SLIDE RING GEAR	1	
30	379118	PINION (C)	1	
31	379269	PLANET GEAR (B) SET (4 PCS.)	4	
32	379120	PINION (B)	1	
33	370614	PLANET GEAR (A) SET (4 PCS.)	4	
34	370604	FIRST RING GEAR	1	
35	379121	WASHER (B)	1	
36	379122	MOTOR SPACER	1	
37	341137	STATOR CONTROLLER ASS'Y	1	INCLUD.47.48
38	361190	ROTOR PINION ASS'Y	1	INCLUD.39
39	379110	MOTOR PINION	1	
40	379104	SHIFT KNOB	1	
41	379103M	NAME PLATE FOR USA	1	
42	313687	TAPPING SCREW (W/FLANGE) D3X16 (BLACK)	11	
43	379108	TAIL COVER	1	
44	373041	REAR BUMPER	2	
45	339768	PUSHING BUTTON	1	
46	379106M	HOUSING (A).(B) SET	1	
47	379109	DC-SPEED CONTROL SWITCH	1	
48	339769	BATTERY TERMINAL	1	
49	379397	HOOK ASS'Y	1	INCLUD.50.51
50	337357	TRUSS HD. SCREW M4 (BLACK)	1	
51	372229	HOOK	1	
52	377797M	BATTERY BSL 1820M (USA.CAN)	2	INCLUD.502

STANDARD ACCESSORIES

DV18DEX

ITEM NO.	CODE NO.	DESCRIPTION	NO. USED	REMARKS
501		CHARGER (MODEL UC 18YKSL)	1	
502	329897	BATTERY COVER	1	
503	983006	+ DRIVER BIT NO.2 65L	1	
504	375801M	TOOL BAG	1	

OPTIONAL ACCESSORIES

ITEM NO.	CODE NO.	DESCRIPTION	NO. USED	REMARKS
601	379251M	CASE	1	