

G12SE3

SAFETY INSTRUCTIONS AND INSTRUCTION MANUAL

⚠ WARNING

IMPROPER OR UNSAFE use of this power tool can result in death or serious bodily injury! This manual contains important information about product safety. Please read and understand this manual **BEFORE** operating the power tool. Please keep this manual available for other users and owners before they use the power tool. This manual should be stored in safe place.

INSTRUCTIONS DE SECURITE ET MODE D'EMPLOI

⚠ AVERTISSEMENT

Une utilisation **INCORRECTE OU DANGEREUSE** de cet outil motorisé peut entraîner la mort ou de sérieuses blessures corporelles!
Ce mode d'emploi contient d'importantes informations à propos de la sécurité de ce produit. Prière de lire et de comprendre ce mode d'emploi **AVANT** d'utiliser l'outil motorisé. Garder ce mode d'emploi à la disponibilité des autres utilisateurs et propriétaires avant qu'ils utilisent l'outil motorisé. Ce mode d'emploi doit être conservé dans un endroit sûr.

INSTRUCCIONES DE SEGURIDAD Y MANUAL DE INSTRUCCIONES

⚠ ADVERTENCIA

¡La utilización **INAPROPIADA O PELIGROSA** de esta herramienta eléctrica puede resultar en lesiones de gravedad o la muerte!
Este manual contiene información importante sobre la seguridad del producto. Lea y comprenda este manual **ANTES** de utilizar la herramienta eléctrica. Guarde este manual para que puedan leerlo otras personas antes de utilizar la herramienta eléctrica. Este manual debe ser guardado en un lugar seguro.



DOUBLE INSULATION
DOUBLE ISOLATION
AISLAMIENTO DOBLE

IMPORTANT SAFETY INFORMATION

Read and understand all of the safety precautions, warnings and operating instructions in the Instruction Manual before operating or maintaining this power tool.

Most accidents that result from power tool operation and maintenance are caused by the failure to observe basic safety rules or precautions. An accident can often be avoided by recognizing a potentially hazardous situation before it occurs, and by observing appropriate safety procedures.

Basic safety precautions are outlined in the "SAFETY" section of this Instruction Manual and in the sections which contain the operation and maintenance instructions.

Hazards that must be avoided to prevent bodily injury or machine damage are identified by WARNINGS on the power tool and in this Instruction Manual.

NEVER use this power tool in a manner that has not been specifically recommended by metabo HPT.

MEANINGS OF SIGNAL WORDS

WARNING indicates a potentially hazardous situations which, if ignored, could result in death or serious injury.

CAUTION indicates a potentially hazardous situations which, if not avoided, may result in minor or moderate injury, or may cause machine damage.

NOTE emphasizes essential information.

SAFETY

GENERAL POWER TOOL SAFETY WARNINGS

⚠ **WARNING**

Read all safety warnings and all instructions.

Failure to follow the warnings and instructions may result in electric shock, fire and/or serious injury.

Save all warnings and instructions for future reference.

The term "power tool" in the warnings refers to your mains-operated (corded) power tool or battery-operated (cordless) power tool.

1) **Work area safety**

a) **Keep work area clean and well lit.**

Cluttered or dark areas invite accidents.

b) **Do not operate power tools in explosive atmospheres, such as in the presence of flammable liquids, gases or dust.**

Power tools create sparks which may ignite the dust or fumes.

c) **Keep children and bystanders away while operating a power tool.**

Distractions can cause you to lose control.

2) **Electrical safety**

a) **Power tool plugs must match the outlet.**

Never modify the plug in any way.

Do not use any adapter plugs with earthed (grounded) power tools.

Unmodified plugs and matching outlets will reduce risk of electric shock.

b) **Avoid body contact with earthed or grounded surfaces such as pipes, radiators, ranges and refrigerators.**

There is an increased risk of electric shock if your body is earthed or grounded.

c) **Do not expose power tools to rain or wet conditions.**

Water entering a power tool will increase the risk of electric shock.

d) **Do not abuse the cord. Never use the cord for carrying, pulling or unplugging the power tool. Keep cord away from heat, oil, sharp edges or moving parts.**

Damaged or entangled cords increase the risk of electric shock.

e) **When operating a power tool outdoors, use an extension cord suitable for outdoor use.**

Use of a cord suitable for outdoor use reduces the risk of electric shock.

f) **If operating a power tool in a damp location is unavoidable, use a residual current device (RCD) protected supply.**

Use of an RCD reduces the risk of electric shock.

3) **Personal safety**

a) **Stay alert, watch what you are doing and use common sense when operating a power tool. Do not use a power tool while you are tired or under the influence of drugs, alcohol or medication.**

- A moment of inattention while operating power tools may result in serious personal injury.
- b) **Use personal protective equipment. Always wear eye protection.**
Protective equipment such as dust mask, non-skid safety shoes, hard hat, or hearing protection used for appropriate conditions will reduce personal injuries.
- c) **Prevent unintentional starting. Ensure the switch is in the off-position before connecting to power source and/or battery pack, picking up or carrying the tool.**
Carrying power tools with your finger on the switch or energising power tools that have the switch on invites accidents.
- d) **Remove any adjusting key or wrench before turning the power tool on.**
A wrench or a key left attached to a rotating part of the power tool may result in personal injury.
- e) **Do not overreach. Keep proper footing and balance at all times.**
This enables better control of the power tool in unexpected situations.
- f) **Dress properly. Do not wear loose clothing or jewellery. Keep your hair, clothing and gloves away from moving parts.**
Loose clothes, jewellery or long hair can be caught in moving parts.
- g) **If devices are provided for the connection of dust extraction and collection facilities, ensure these are connected and properly used.**
Use of dust collection can reduce dust-related hazards.
- 4) **Power tool use and care**
- a) **Do not force the power tool. Use the correct power tool for your application.**
The correct power tool will do the job better and safer at the rate for which it was designed.
- b) **Do not use the power tool if the switch does not turn it on and off.**
Any power tool that cannot be controlled with the switch is dangerous and must be repaired.
- c) **Disconnect the plug from the power source and/or the battery pack from the power tool before making any adjustments, changing accessories, or storing power tools.**
Such preventive safety measures reduce the risk of starting the power tool accidentally.
- d) **Store idle power tools out of the reach of children and do not allow persons unfamiliar with the power tool or these instructions to operate the power tool.**
Power tools are dangerous in the hands of untrained users.
- e) **Maintain power tools. Check for misalignment or binding of moving parts, breakage of parts and any other condition that may affect the power tool's operation.**
If damaged, have the power tool repaired before use.
Many accidents are caused by poorly maintained power tools.
- f) **Keep cutting tools sharp and clean.**
Properly maintained cutting tools with sharp cutting edges are less likely to bind and are easier to control.
- g) **Use the power tool, accessories and tool bits etc. in accordance with these instructions, taking into account the working conditions and the work to be performed.**
Use of the power tool for operations different from those intended could result in a hazardous situation.
- 5) **Service**
- a) **Have your power tool serviced by a qualified repair person using only identical replacement parts.**
This will ensure that the safety of the power tool is maintained.

SAFETY WARNINGS COMMON FOR GRINDING OPERATIONS

- a) **This power tool is intended to function as a grinder. Read all safety warnings, instructions, illustrations and specifications provided with this power tool.**
Failure to follow all instructions listed below may result in electric shock, fire and/or serious injury.
- b) **Operations such as sanding, wire brushing, polishing or cutting-off are not recommended to be performed with this power tool.**
Operations for which the power tool was not designed may create a hazard and cause personal injury.
- c) **Do not use accessories which are not specifically designed and recommended by the tool manufacturer.**
Just because the accessory can be attached to your power tool, it does not assure safe operation.
- d) **The rated speed of the accessory must be at least equal to the maximum speed marked on the power tool.**
Accessories running faster than their rated speed can break and fly apart.
- e) **The outside diameter and the thickness of your accessory must be within the capacity rating of your power tool.**
Incorrectly sized accessories cannot be adequately guarded or controlled.
- f) **Threaded mounting of accessories must match the grinder spindle thread. For accessories mounted by flanges, the arbour hole of the accessory must fit the locating diameter of the flange.**

- Accessories that do not match the mounting hardware of the power tool will run out of balance, vibrate excessively and may cause loss of control.
- g) **Do not use a damaged accessory. Before each use inspect the accessory such as abrasive wheels for chips and cracks, backing pad for cracks, tear or excess wear, wire brush for loose or cracked wires. If power tool or accessory is dropped, inspect for damage or install an undamaged accessory. After inspecting and installing an accessory, position yourself and bystanders away from the plane of the rotating accessory and run the power tool at maximum no-load speed for one minute.** Damaged accessories will normally break apart during this test time.
- h) **Wear personal protective equipment. Depending on application, use face shield, safety goggles or safety glasses. As appropriate, wear dust mask, hearing protectors, gloves and workshop apron capable of stopping small abrasive or workpiece fragments.** The eye protection must be capable of stopping flying debris generated by various operations. The dust mask or respirator must be capable of filtering particles generated by your operation. Prolonged exposure to high intensity noise may cause hearing loss.
- i) **Keep bystanders a safe distance away from work area. Anyone entering the work area must wear personal protective equipment.** Fragments of workpiece or of a broken accessory may fly away and cause injury beyond immediate area of operation.
- j) **Hold the power tool by insulated gripping surfaces only, when performing an operation where the cutting accessory may contact hidden wiring or its own cord.** Cutting accessory contacting a “live” wire may make exposed metal parts of the power tool “live” and could give the operator an electric shock.
- k) **Position the cord clear of the spinning accessory.** If you lose control, the cord may be cut or snagged and your hand or arm may be pulled into the spinning accessory.
- l) **Never lay the power tool down until the accessory has come to a complete stop.** The spinning accessory may grab the surface and pull the power tool out of your control.
- m) **Do not run the power tool while carrying it at your side.** Accidental contact with the spinning accessory could snag your clothing, pulling the accessory into your body.
- n) **Regularly clean the power tool’s air vents.** The motor’s fan will draw the dust inside the housing and excessive accumulation of powdered metal may cause electrical hazards.
- o) **Do not operate the power tool near flammable materials.** Sparks could ignite these materials.
- p) **Do not use accessories that require liquid coolants.** Using water or other liquid coolants may result in electrocution or shock.

KICKBACK AND RELATED WARNINGS

Kickback is a sudden reaction to a pinched or snagged rotating wheel, backing pad, brush or any other accessory. Pinching or snagging causes rapid stalling of the rotating accessory which in turn causes the uncontrolled power tool to be forced in the direction opposite of the accessory’s rotation at the point of the binding.

For example, if an abrasive wheel is snagged or pinched by the workpiece, the edge of the wheel that is entering into the pinch point can dig into the surface of the material causing the wheel to climb out or kick out. The wheel may either jump toward or away from the operator, depending on direction of the wheel’s movement at the point of pinching. Abrasive wheels may also break under these conditions.

Kickback is the result of power tool misuse and/or incorrect operating procedures or conditions and can be avoided by taking proper precautions as given below.

- a) **Maintain a firm grip on the power tool and position your body and arm to allow you to resist kickback forces. Always use auxiliary handle, if provided, for maximum control over kickback or torque reaction during start-up.** The operator can control torque reactions or kickback forces, if proper precautions are taken.
- b) **Never place your hand near the rotating accessory.** Accessory may kickback over your hand.
- c) **Do not position your body in the area where power tool will move if kickback occurs.** Kickback will propel the tool in direction opposite to the wheel’s movement at the point of snagging.
- d) **Use special care when working corners, sharp edges etc. Avoid bouncing and snagging the accessory.** Corners, sharp edges or bouncing have a tendency to snag the rotating accessory and cause loss of control or kickback.
- e) **Do not attach a saw chain woodcarving blade or toothed saw blade.** Such blades create frequent kickback and loss of control.

SAFETY WARNINGS SPECIFIC FOR GRINDING OPERATIONS

- a) **Use only wheel types that are recommended for your power tool and the specific guard designed for the selected wheel.** Wheels for which the power tool was not designed cannot be adequately guarded and are unsafe.

b) **The grinding surface of center depressed wheels must be mounted below the plane of the guard lip.**
An improperly mounted wheel that projects through the plane of the guard lip cannot be adequately protected.

c) **The guard must be securely attached to the power tool and positioned for maximum safety, so the least amount of wheel is exposed towards the operator.**

The guard helps to protect the operator from broken wheel fragments, accidental contact with wheel and sparks that could ignite clothing.

d) **Wheels must be used only for recommended applications. For example: do not grind with the side of cut-off wheel.**

Abrasive cut-off wheels are intended for peripheral grinding, side forces applied to these wheels may cause them to shatter.

e) **Always use undamaged wheel flanges that are of correct size and shape for your selected wheel.**

Proper wheel flanges support the wheel thus reducing the possibility of wheel breakage. Flanges for cut-off wheels may be different from grinding wheel flanges.

f) **Do not use worn down wheels from larger power tools.**

Wheel intended for larger power tool is not suitable for the higher speed of a smaller tool and may burst.

GENERAL SAFETY INSTRUCTIONS FOR GRINDERS

- Check that speed marked on the wheel is equal to or greater than the rated speed of the grinder;
- Ensure that the wheel dimensions are compatible with the grinder;
- Abrasive wheels shall be stored and handled with care in accordance with manufacturer's instructions;
- Inspect the grinding wheel before use, do not use chipped, cracked or otherwise defective products;
- Ensure that mounted wheels and points are fitted in accordance with the manufacturer's instructions;
- Ensure that blotters are used when they are provided with the bonded abrasive product and when they are required;
- Ensure that the abrasive product is correctly mounted and tightened before use and run the tool at no-load for 30 s in a safe position, stop immediately if there is considerable vibration or if other defects are detected. If this condition occurs, check the machine to determine the cause;
- If a guard is equipped with the tool never use the tool without such a guard;
- Do not use separate reducing bushings or adapters to adapt large hole abrasive wheels;
- For tools intended to be fitted with threaded hole wheel, ensure that the thread in the wheel is long enough to accept the spindle length;
- Secure the workpiece and check that the workpiece is properly supported. A workpiece clamped with clamping devices or in a vice is held more securely than by hand;

- Do not use cutting off wheel for side grinding;
- Ensure that sparks resulting from use do not create a hazard e.g. do not hit persons, or ignite flammable substances;
- Ensure that ventilation openings are kept clear when working in dusty conditions, if it should become necessary to clear dust, first disconnect the tool from the mains supply (use non metallic objects) and avoid damaging internal parts;
- Always use eye and ear protection. Other personal protective equipment such as dust mask, gloves, helmet and apron should be worn;
- Pay attention to the wheel that continues to rotate after the tool is switched off.

SPECIFIC SAFETY RULES AND SYMBOLS

1. **ALWAYS use proper guard with grinding wheel.**
A guard protects operator from broken wheel fragments.
2. **Accessories must be rated for at least the speed recommended on the tool warning label.** Wheels and other accessories running over rated speed can fly apart and cause injury.
3. **ALWAYS wear ear protectors when using the tool for extended periods.**
Prolonged exposure to high intensity noise can cause hearing loss.



4. **Use only a depressed center wheel with a rated capacity which is GREATER than 13300/min for G12SE3 and 12000/min for G13SE3.** Using any wheel a rated capacity LESS than 13300/min for G12SE3 and 12000/min for G13SE3 and/or an incorrect sized wheel (see SPECIFICATIONS at page 8) may result in wheel breakage, flying wheel fragments, and resulting in death or serious injury.
5. **NEVER touch moving parts.**

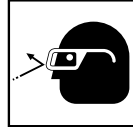



NEVER place your hands, fingers or other body parts near the tool's moving parts.

6. **NEVER operate without all guards in place.**
NEVER operate this tool without all guards or safety features in place and in proper working order. If maintenance or servicing requires the removal of a guard or safety feature, be sure to replace the guard or safety feature before resuming operation of the tool.
7. **Use right tool.**
Don't force small tool or attachment to do the job of a heavy-duty tool.
Don't use tool for purpose not intended—for example—don't use circular saw for cutting tree limbs or logs.


8. **NEVER use a power tool for applications other than those specified.**
NEVER use a power tool for applications other than those specified in the Instruction Manual.
9. **Handle tool correctly.**
Operate the tool according to the instructions provided herein. Do not drop or throw the tool. NEVER allow the tool to be operated by children, individuals unfamiliar with its operation or unauthorized personnel.
10. **Keep all screws, bolts and covers tightly in place.**
Keep all screws, bolts, and plates tightly mounted. Check their condition periodically.
11. **Do not use power tools if the plastic housing or handle is cracked.**
Cracks in the tool's housing or handle can lead to electric shock. Such tools should not be used until repaired.
12. **Blades and accessories must be securely mounted to the tool.**
Prevent potential injuries to yourself or others. Blades, cutting implements and accessories which have been mounted to the tool should be secure and tight.
13. **Keep motor air vent clean.**
The tool's motor air vent must be kept clean so that air can freely flow at all times. Check for dust build-up frequently.
14. **Operate power tools at the rated voltage.**
Operate the power tool at voltages specified on its nameplate.
If using the power tool at a higher voltage than the rated voltage, it will result in abnormally fast motor revolution and may damage the unit and the motor may burn out.
15. **NEVER use a tool which is defective or operating abnormally.**
If the tool appears to be operating unusually, making strange noises, or otherwise appears defective, stop using it immediately and arrange for repairs by a metabo HPT authorized service center.
16. **NEVER leave tool running unattended. Turn power off.**
Don't leave tool until it comes to a complete stop.
17. **Carefully handle power tools.**
Should a power tool be dropped or struck against hard materials inadvertently, it may be deformed, cracked, or damaged.
18. **Do not wipe plastic parts with solvent.**
Solvents such as gasoline, thinner benzine, carbon tetrachloride, and alcohol may damage and crack plastic parts. Do not wipe them with such solvents. Wipe plastic parts with a soft cloth lightly dampened with soapy water and dry thoroughly.

19. **NEVER** use a depressed center wheel which is cracked or deformed or worn away (see the MAINTENANCE AND INSPECTION section on page 11).
20. **NEVER** use the grinder in places where the sparks generated by the grinder can cause explosion, such as where flammable materials or gases are present.
21. **NEVER** push in the push button while the spindle is running.
22. **ALWAYS** wear eye protection that meets the requirement of the latest revision of ANSI Standard Z87.1.



23. **ALWAYS** wear a mask or respirator to protect yourself from dust or potentially harmful particles generated during the grinding operation.
24. **ALWAYS** firmly grip the body handle and side handle while operating the grinder.
25. **ALWAYS** have a trial run before grinding commence. (see Test the grinder before using on page 9).
26. **ALWAYS** follow the instructions contained in this manual when replacing the depressed center wheel.
27. **ALWAYS** be careful with buried object such as an underground wiring.
Touching these active wiring or electric cable with this tool, you may receive an electric shock. Confirm if there are any buried object such as electric cable within the wall, floor or ceiling where you are going to operate here after.
28. Definitions for symbols used on this tool
V.....volts
~.....Alternating current
Hz.....hertz
A.....amperes
n.....rated speed
W..... watt
.....Class II Construction
---/min.....revolutions per minute
ø.....wheel diameter

DOUBLE INSULATION FOR SAFER OPERATION

To ensure safer operation of this power tool, metabo HPT has adopted a double insulation design. "Double insulation" means that two physically separated insulation systems have been used to insulate the electrically conductive materials connected to the power supply from the outer frame handled by the operator. Therefore, either the symbol  or the words "Double insulation" appear on the power tool or on the nameplate.

Although this system has no external grounding, you must still follow the normal electrical safety precautions given in this Instruction Manual, including not using the power tool in wet environments.

To keep the double insulation system effective, follow these precautions:

- Only metabo HPT AUTHORIZED SERVICE CENTER should disassemble or assemble this power tool, and only genuine metabo HPT replacement parts should be installed.
- Clean the exterior of the power tool only with a soft cloth moistened with soapy water, and dry thoroughly. Never use solvents, gasoline or thinners on plastic components; otherwise the plastic may dissolve.

**SAVE THESE INSTRUCTIONS
AND
MAKE THEM AVAILABLE TO OTHER USERS
AND
OWNERS OF THIS TOOL!**

FUNCTIONAL DESCRIPTION

NOTE

The information contained in this Instruction Manual is designed to assist you in the safe operation and maintenance of the power tool.

NEVER operate, or attempt any maintenance on the tool unless you have first read and understood all safety instructions contained in this manual.

Some illustrations in this Instruction Manual may show details or attachments that differ from those on your own power tool.

NAME OF PARTS

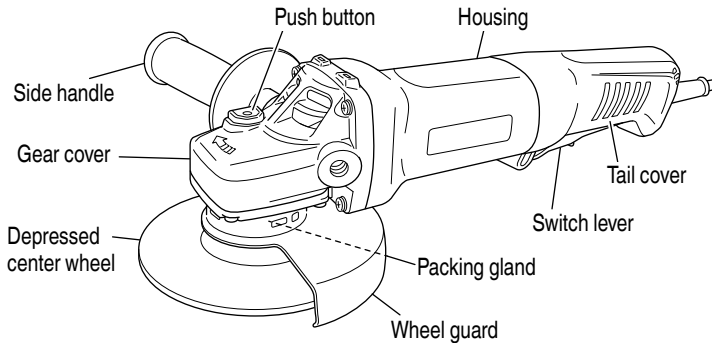


Fig. 1

SPECIFICATIONS

Model	G12SE3	G13SE3
Motor	Single-Phase Series Commutator Motor	
Power Source	Single-Phase 120 V AC 60 Hz / 120 V DC	
Current	10.6 A	
Rated Speed	11 500/min.	
Wheel Size:		
external diam.	4-1/2" (115 mm)	5" (125 mm)
thickness	1/4" (6 mm)	1/4" (6 mm)
hole diam.	7/8" (22.23 mm)	7/8" (22.23 mm)
Weight	5.5 lbs (2.5 kg)	

ASSEMBLY AND OPERATION

APPLICATIONS

- Removal of casting fin and finishing of various type of steel, bronze and aluminum materials and castings.
- Grinding of welded sections or sections cut by means of an acetylene torch.

⚠ WARNING

To avoid the risk of serious injury, NEVER use this grinder with cup wheels and/or saw blades.

PRIOR TO OPERATION

1. Power source
Ensure that the power source to be utilized conforms to the power source requirements specified on the product nameplate.
2. Power switch
Ensure that the switch is in the OFF position. If the plug is connected to a receptacle while the switch is in the ON position, the power tool will start operating immediately and can cause serious injury.
3. Extension cord
When the work area is far away from the power source, use an extension cord of sufficient thickness and rated capacity. The extension cord should be kept as short as practicable.



⚠ WARNING

Damaged cord must be replaced or repaired.

4. Check the receptacle
If the receptacle only loosely accepts the plug, the receptacle must be repaired. Contact a licensed electrician to make appropriate repairs. If such a faulty receptacle is used, it may cause overheating, resulting in a serious hazard.
5. Check your work environment
Ensure the following before operation;
 - No flammable gas, liquid, or object at worksite.
 - When grinding thin steel sheet it may cause a high booming noise.
To avoid such noise, place a rubber mat under the workpiece.
 - Clear the area of children or unauthorized personnel.
6. Mounting the wheel guard
Be sure to mount the wheel guard at an angle that will protect the operator's body from injury by a broken wheel piece.

[Installing Wheel Guard]

- Open and hold the lever, then install the wheel guard so that the projection on the wheel guard aligns with the recess in the packing gland.
- Rotate the wheel guard to an angle suitable for use, then release your finger from the lever.
- Rotate the wheel guard left or right until it locks into place.

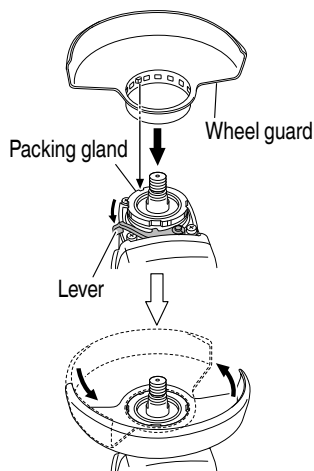


Fig. 2

⚠ WARNING

If the wheel guard is not attached properly, a broken wheel may result in and cause death or serious injury.

7. Thoroughly check that the depressed center wheel is free of cracks, splits and other abnormalities before mounting. Make sure it is firmly clamped and has been properly mounted. Refer to page 11 of this manual for Depressed Center Wheel Assembly and Disassembly
8. Test the grinder before using.
Before actually beginning the grinding work, test the grinder by first clearing the area of all other personnel. Make sure the wheel guard is in place and that you are wearing eye protection. Turn the grinder "on", and make sure the grinder runs smoothly and shows no abnormalities.
Duration of the trial run is as follows:

When depressed center wheel is replaced 3 minutes or more
When starting daily work 1 minute or more

- Use only properly rated depressed center wheels.
Use only depressed center wheels rated at **13300/min or more for G12SE3 and 12000/min or more for G13SE3**.
Using a depressed center wheel rated less can lead to wheel disintegration during operation and cause serious bodily injury.
- Check the push button.
Make sure that the push button is disengaged by pushing push button two or three times before turning on the grinder. (Fig. 5)

GRINDER OPERATION

- Hold the grinder firmly by its housing and side handle (Fig. 1).
The grinder produces a counterforce which must be controlled by firmly holding onto the grinder.
- Switch operation
[When the switch has locking mechanism]
Switch ON: To switch on, slide the OFF lock lever in the direction of Ⓐ and press the paddle lever in the direction of Ⓑ as shown in Fig. 3-a.
Furthermore, slide the ON lock lever in the direction of Ⓒ shown in Fig.3-b while pressing the paddle lever to lock and enable continuous operation.
Switch OFF: To release the locking mode, press the paddle lever in the direction of Ⓓ shown in Fig.3-a, and release the paddle lever to switch off.

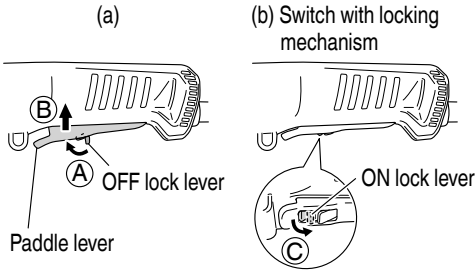


Fig. 3

[When the switch has no locking mechanism]

To switch on, slide the lock lever in the direction of Ⓐ and press the paddle lever in the direction of Ⓑ as shown in Fig. 3-a. Release the paddle lever to switch off.

NOTE: The paddle lever can not be locked.

- Use light grinding pressure.
There is no need to press hard when grinding. Usually the grinder's own weight is sufficient to allow the required light contact with the surface to be ground.

⚠ WARNING
Do not press the grinder forcibly against the surface to be ground. Heavy pressure can result in wheel breakage and serious injury. It can also damage the surface being ground or damage the grinder's motor.

- Use proper grinding angle.
Grind only with the wheel's edge by lifting the grinder 15° to 30° , as shown in Fig. 4.

⚠ CAUTION
Do not use the entire surface of the depressed center wheel. Use only the edge of the depressed center wheel.

- Move the grinder in the proper direction.
When using a new depressed center wheel in direction A (Fig. 4), the wheel edge may cut into the workpiece. In this case, grind in direction B (Fig. 4).
Once the wheel edge is worn, the workpiece can be ground in both directions.

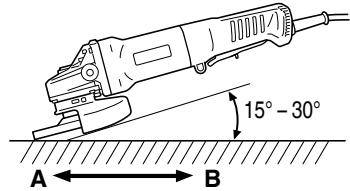


Fig. 4

NOTE
The wheel provided (resinoid wheel) is rated as Class A grain and # 36 grain size. It is most suitable for heavy grinding of steel and other types of materials.

- Adjust operation to desired finish.
For a fine finish, decrease pressure by lifting slightly. Grind slowly and at the appropriate speed.

⚠ CAUTION
The revolving depressed center wheel will create air turbulence.
Do no lay the grinder down in areas of dust or dirt until it has come to a complete stop.

DEPRESSED CENTER WHEEL ASSEMBLY AND DISASSEMBLY

⚠ WARNING

Never attempt to assemble or disassemble the depressed center wheel, unless the power switch is in the "OFF" position and the electrical cord has been disconnected from the receptacle.

1. Assembly

- (1) Turn the disc grinder upsidedown so that the spindle is facing upward.
- (2) Align the oval-shaped indentation of the wheel washer with the notched part of the spindle, then attach them.
- (3) Fit the protuberance of the depressed center wheel onto the wheel washer.
- (4) Screw the wheel nut onto the spindle.
- (5) While pushing the push button with one hand, lock the spindle by turning the depressed center wheel slowly with the other hand.

Tighten the wheel nut by using the supplied wrench as shown in Fig. 5.

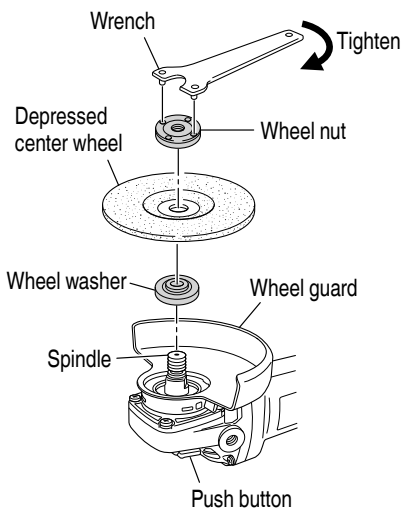


Fig. 5

⚠ CAUTION

Tighten the wheel nut securely and confirm that the depressed center wheel does not wobble.

2. Disassembly

To remove the depressed center wheel, simply reverse the above-mentioned procedure.

MAINTENANCE AND INSPECTION

⚠ WARNING

- Be sure to switch power OFF and disconnect the plug from the receptacle during maintenance and inspection.
- Using cracked, deformed or damaged wheels can lead to wheel breakage and resulting serious injury.

1. Replacing the depressed center wheel
Replace the depressed center wheel when it has been worn out to about 2-3/8" (60 mm) in external diameter. Confirm that there is no crack or any damage to the depressed center wheel. If there is a crack or a transformation in the wheel, replace it immediately.
2. Inspecting the screws
Regularly inspect all screws and ensure that they are fully tightened. Should any of the screws be loosened, retighten them immediately.
3. Confirm that there is no damage in the wheel guard, the electrical cord and the housing, etc.
Check that the on/off switch operates normally.
4. Inspecting the carbon brushes
For your continued safety and electrical shock protection, carbon brush inspection and replacement on this tool should ONLY be performed by a metabo HPT AUTHORIZED SERVICE CENTER.
5. Replacing supply cord
If the supply cord of Tool is damaged, the Tool must be returned to metabo HPT Authorized Service Center for the cord to be replaced.

⚠ WARNING

Using this grinder with loosened screws is extremely dangerous.

- 6. Service and repairs
All quality power tools will eventually require servicing or replacement of parts because of wear from normal use. To assure that only authorized replacement parts will be used, all service and repairs must be performed by a metabo HPT AUTHORIZED SERVICE CENTER, ONLY.
- 7. Maintenance of the motor

⚠ WARNING

**Always wear protective goggles and dust respirators when blowing air from the tail cover air hole with the use of an air gun, etc.
Failure to observe this may result in ejected dust being inhaled or entering your eyes.**

The coil on the motor is an important part of the unit. Make sure that it is not damaged or subject to oil or water.

NOTE

When work has been finished, blow air containing no moisture from the tail cover air hole with the use of an air gun, etc., while running the motor without any load applied. This is effective in removing any dirt and dust that has accumulated. Dirt and dust collecting inside the motor may result in malfunctions.

MODIFICATIONS

metabo HPT Power Tools are constantly being improved and modified to incorporate the latest technological advancements. Accordingly, some parts may be changed without prior notice.

ACCESSORIES

⚠ WARNING

**Never use any accessories other than those mentioned below.
The use of any accessories other than those mentioned below or attachments not intended for use such as cup wheel, cut-off wheel or saw blade is dangerous and may cause personal injury or property damage.**

NOTE

Accessories are subject to change without any obligation on the part of the metabo HPT.

STANDARD ACCESSORIES

- Depressed center wheel.....1
4-1/2" (115 mm) external dia. x 1/4" (6 mm)
thickness x 7/8" (22.23 mm) hole dia.
(Code No. 316821) G12SE3
- 5" (125 mm) external dia. x 1/4" (6 mm)
thickness x 7/8" (22.23 mm) hole dia.
(Code No. 316822) G13SE3
- Wrench (Code No. 938332Z)1
- Side Handle (Code No. 994322).....1

NOTE

Specifications are subject to change without any obligation on the part of the metabo HPT.

INFORMATIONS IMPORTANTES DE SÉCURITÉ

Lire et comprendre toutes les précautions de sécurité, les avertissements et les instructions de fonctionnement dans ce mode d'emploi avant d'utiliser ou d'entretenir cet outil motorisé.

La plupart des accidents causés lors de l'utilisation ou de l'entretien de l'outil motorisé proviennent d'un non respect des règles ou précautions de base de sécurité. Un accident peut la plupart du temps être évité si l'on reconnaît une situation de danger potentiel avant qu'elle ne se produise, et en observant les procédures de sécurité appropriées.

Les précautions de base de sécurité sont mises en évidence dans la section "SECURITE" de ce mode d'emploi et dans les sections qui contiennent les instructions de fonctionnement et d'entretien.

Les dangers qui doivent être évités pour prévenir des blessures corporelles ou un endommagement de la machine sont identifiés par AVERTISSEMENTS sur l'outil motorisé et dans ce mode d'emploi.

NE JAMAIS utiliser cet outil motorisé d'une manière qui n'est pas spécifiquement recommandée par metabo HPT.

SIGNIFICATION DES MOTS D'AVERTISSEMENT

AVERTISSEMENT indique des situations potentiellement dangereuses qui, si elles sont ignorées, pourraient entraîner la mort ou de sérieuses blessures.

PRÉCAUTION indique des situations dangereuses potentielles qui, si elles ne sont pas évitées, peuvent entraîner de mineures et légères blessures ou endommager la machine.

REMARQUE met en relief des informations essentielles.

SECURITE

AVERTISSEMENTS DE SÉCURITÉ GÉNÉRAUX CONCERNANT LES OUTILS ÉLECTRIQUES

⚠ AVERTISSEMENT

Lire tous les avertissements de sécurité et toutes les instructions.

Tout manquement à observer ces avertissements et instructions peut engendrer des chocs électriques, des incendies et/ou des blessures graves.

Conservez tous les avertissements et toutes les instructions pour vous y référer ultérieurement.

Le terme "outil électrique", utilisé dans les avertissements, se réfère aux outils électriques (câblé) ou aux outils à piles (sans fil).

1) Sécurité de l'aire de travail

a) Maintenir l'aire de travail propre et bien éclairée.

Les endroits encombrés ou sombres sont propices aux accidents.

b) Ne pas utiliser d'outils électriques en présence de liquides, gaz ou poussière inflammables, au risque de provoquer une explosion.

Les outils électriques créent des étincelles susceptibles d'enflammer la poussière.

c) Ne pas laisser les enfants et les visiteurs s'approcher de vous lorsque vous utilisez un outil électrique.

Les distractions peuvent faire perdre le contrôle.

2) Sécurité électrique

a) Les prises de l'outil électrique doivent correspondre à la prise secteur.

Ne jamais modifier la prise.

Ne pas utiliser d'adaptateurs avec les outils électriques mis à la masse.

Les prises non modifiées et les prises secteurs correspondantes réduisent les risques de choc électrique.

b) Eviter tout contact avec les surfaces mises à la masse telles que les tuyaux, radiateurs, bandes et réfrigérateurs.

Le risque de choc électrique est accru en cas de mise à la masse du corps.

c) Ne pas exposer les outils électriques à la pluie ou à des conditions humides.

Si l'eau pénètre dans l'outil, cela augmente les risques de choc électrique.

d) Ne pas utiliser le cordon à tort. Ne jamais utiliser le cordon pour transporter ou débrancher l'outil électrique.

Maintenir le cordon loin de la chaleur, de l'huile, des bords pointus ou des pièces mobiles.

Les cordons endommagés ou usés augmentent les risques de choc électrique.

- e) **En cas d'utilisation d'un outil électrique à l'extérieur, utiliser un cordon de rallonge adapté à un usage extérieur.**
L'utilisation d'un cordon adapté à l'usage extérieur réduit les risques de choc électrique.
- f) **Si vous devez utiliser un outil électrique dans un endroit humide, utilisez une alimentation protégée contre les courants résiduels.**
L'utilisation d'un dispositif de protection contre les courants résiduels réduit le risque de choc électrique.
- 3) **Sécurité personnelle**
- a) **Restez alerte, regarder ce que vous faites et usez de votre bon sens en utilisant un outil électrique.**
Ne pas utiliser d'outil électrique si vous êtes sous l'influence de drogues, d'alcool ou de médicaments.
Pendant l'utilisation d'outils électrique, un instant d'inattention peut entraîner des blessures graves.
- b) **Utiliser un équipement de protection individuelle. Toujours porter des verres de protection.**
L'utilisation d'équipements de protection tels que les masques anti-poussière, les chaussures de sécurité anti-dérapantes, les casques ou les protections auditives dans des conditions appropriées réduisent les risques de blessures.
- c) **Empêcher les démarrages intempestifs. Veiller à ce que l'interrupteur soit en position d'arrêt avant de brancher à une source d'alimentation et/ou une batterie, de ramasser l'outil au sol ou de le transporter.**
Transporter les outils électriques avec le doigt sur l'interrupteur ou brancher les outils électriques avec l'interrupteur en position de marche peut entraîner des accidents.
- d) **Retirer toute clé de sécurité ou clé avant de mettre l'outil électrique en marche.**
Laisser une clé ou une clé de sécurité sur une partie mobile de l'outil électrique peut engendrer des blessures.
- e) **Ne pas trop se pencher. Toujours garder une bonne assise et un bon équilibre pendant le travail.**
Cela permet un meilleur contrôle de l'outil électrique dans des situations imprévisibles.
- f) **Porter des vêtements adéquats. Ne pas porter de vêtements amples ni de bijoux. Maintenir les cheveux, les vêtements et les gants loin des pièces mobiles.**
Les vêtements amples ou les cheveux longs peuvent se prendre dans les pièces mobiles.
- g) **En cas de dispositifs destinés au raccordement d'installations d'extraction et de recueil de la poussière, veiller à ce qu'ils soient correctement raccordés et utilisés.**
- L'utilisation d'un dispositif de collecte de la poussière peut réduire les dangers associés à la poussière.
- 4) **Utilisation et entretien d'un outil électrique**
- a) **Ne pas forcer sur l'outil électrique. Utiliser l'outil électrique adapté à vos travaux.**
Le bon outil électrique fera le travail mieux et en toute sécurité au régime pour lequel il a été conçu.
- b) **Ne pas utiliser l'outil électrique si l'interrupteur ne le met pas en position de marche et d'arrêt.**
Tout outil ne pouvant être contrôlé par l'interrupteur est dangereux et doit être réparé.
- c) **Débrancher la prise ou retirer la batterie avant de procéder à des réglages, au remplacement des accessoires ou au stockage des outils électriques.**
Ces mesures préventives de sécurité réduisent les risques de démarrage accidentel de l'outil électrique.
- d) **Stockez les outils électriques inutilisés hors de la portée des enfants et ne pas laisser des personnes non familiarisées avec l'outil ou ces instructions utiliser l'outil électrique.**
Les outils électriques sont dangereux entre les mains d'utilisateurs non habilités.
- e) **Entretien des outils électriques. Vérifier l'absence de mauvais alignement ou d'arrêt, d'endommagement de pièces ou toute autre condition susceptible d'affecter l'opération de l'outil.**
Si l'outil est endommagé, le faire réparer avant utilisation.
De nombreux accidents sont dus à des outils mal entretenus.
- f) **Maintenir les outils coupants aiguisés et propres.**
Des outils coupants bien entretenus avec des bords aiguisés sont moins susceptibles de se coincer et plus simples à contrôler.
- g) **Utiliser l'outil électrique, les accessoires et les mèches de l'outil, etc. conformément à ces instructions en tenant compte des conditions d'utilisation et du travail à réaliser.**
L'utilisation de l'outil électrique pour des opérations différentes de celles pour lesquelles il a été conçu est dangereuse.
- 5) **Service**
- a) **Faire entretenir l'outil électrique par un technicien habilité à l'aide de pièces de rechange identiques exclusivement.**
Cela garantira le maintien de la sécurité de l'outil électrique.

AVERTISSEMENTS DE SÉCURITÉ COURANTS AUX OPÉRATIONS DE MEULAGE

a) **Cet outil électrique est conçu pour fonctionner comme meule. Lisez tous les avertissements, instructions, illustrations et spécifications accompagnant le présent outil.**

L'inobservation des instructions énumérées ci-dessous peut entraîner un choc électrique, un incendie et/ou une blessure grave.

b) **Il est déconseillé d'utiliser cet outil électrique pour le ponçage, le brossage métallique, le polissage ou le découpage.**

Toute utilisation de cet appareil à une fin autre que celles prévues est dangereuse et peut provoquer une blessure corporelle.

c) **N'utilisez pas d'accessoires autres que ceux spécifiquement désignés et recommandés par le fabricant.**

Le fait de pouvoir fixer un accessoire sur l'appareil ne signifie pas que son utilisation est sécurisée.

d) **La vitesse nominale de l'appareil doit être au moins égale à la vitesse maximale indiquée sur l'outil électrique.**

Les accessoires utilisés à une vitesse supérieure à la vitesse nominale peuvent se briser et se détacher.

e) **Le diamètre extérieur et l'épaisseur de votre accessoire doivent être inférieurs à la capacité nominale de votre outil électrique.**

Les accessoires de taille incorrecte ne peuvent être correctement protégés ou contrôlés.

f) **Le filetage de montage des accessoires doit correspondre à celui du mandrin de la meuleuse. Pour les accessoires montés avec des brides, l'orifice de l'arbre de l'accessoire doit correspondre au diamètre de positionnement de la bride.**

Les accessoires qui ne correspondent pas au matériel de montage de l'outil motorisé vont se trouver déséquilibrés, vibreront excessivement et pourront entraîner une perte de contrôle.

g) **N'utilisez pas d'accessoire endommagé. Avant chaque utilisation, vérifiez que l'accessoire (par exemple les meules) n'est pas ébréché, craquelé ou défectueux, que la plaque n'est pas fissurée ou usée, et que la brosse est bien fixée et en bon état. Si l'outil électrique ou l'accessoire est tombé, vérifiez qu'il n'est pas endommagé ou installez un accessoire en bon état. Après avoir vérifié l'accessoire ou en avoir installé un nouveau, restez à l'écart de l'accessoire et faites tourner l'outil à vide pendant une minute à vitesse maximale.**

Si les accessoires sont endommagés, ils se cassent pendant ce test.

h) **Portez un équipement de protection individuelle. Selon l'application, utilisez un masque ou des lunettes de sécurité. Si besoin, portez un masque anti-poussière, des protecteurs d'oreille, des gants et un tablier capable d'arrêter les petits fragments abrasifs.**

La protection oculaire doit être capable d'arrêter les projections de débris générés au cours des différentes opérations. Le masque à poussière et le respirateur doivent être capables de filtrer les particules générées par votre opération. Une exposition prolongée à des bruits de haute intensité peut entraîner une perte d'audition.

i) **Toutes les personnes à proximité doivent rester à distance de l'aire de travail. Toute personne entrant dans l'aire de travail doit porter un équipement de protection individuelle.**

Les fragments de pièce usinée ou d'accessoire brisé peuvent être projetés au delà de la zone d'opération immédiate et provoquer une blessure.

j) **Maintenez l'outil par les surfaces de saisie isolées lorsque vous effectuez une opération où l'accessoire de coupe peut entrer en contact avec des fils cachés ou avec son propre cordon.**

L'accessoire de coupe rentrant en contact avec un fil "sous tension" peut rendre les pièces métalliques exposées de l'outil motorisé "sous tension" et pourrait donner à l'opérateur un choc électrique.

k) **Éloignez le cordon de l'accessoire en rotation.**

Si vous perdez le contrôle, le cordon risque d'être découpé, et vous risquez de vous coincer le main ou le bras dans l'accessoire en rotation.

l) **Ne posez jamais l'outil électrique avant l'arrêt complet de l'accessoire.**

L'accessoire en rotation risque d'accrocher la surface et de vous faire perdre le contrôle de l'outil électrique.

m) **Ne faites pas tourner l'outil électrique pendant que vous le transportez à la main.**

L'accessoire en rotation risque d'accrocher vos vêtements ou de vous blesser.

n) **Nettoyez régulièrement les événements de l'outil électrique.**

Le ventilateur du moteur risque d'attirer la poussière à l'intérieur du logement et l'accumulation excessive de métaux en poudre risque de provoquer un court-circuit.

o) **N'utilisez pas l'outil électrique à proximité de matériaux inflammables.**

Ces matériaux risquent de prendre feu sous l'effet des étincelles.

p) **N'utilisez pas d'accessoires nécessitant des liquides de refroidissement.**

L'usage d'eau ou d'autres liquides de refroidissement peut entraîner une électrocution ou un choc électrique.

RECU DE L'APPAREIL ET AVERTISSEMENTS ASSOCIÉS

Le recul est une réaction soudaine provoquée par le pincement ou le coincement d'une meuleuse, d'une plaque, d'une brosse ou autre type d'accessoire.

L'accessoire en rotation cale alors rapidement, ce qui projette l'outil électrique dans la direction opposée à la rotation de l'accessoire.

Par exemple, si une meule est coincée par la pièce à usiner, le rebord de la meule entrant dans le point de pincement peut accrocher la surface du matériau, entraînant un déchaussement de la meule. La meule peut alors dévier de sa trajectoire, vers l'opérateur ou dans la direction opposée, selon la direction de la meule au point de pincement. Les meules abrasives risquent de se briser.

Le recul est le résultat d'une utilisation abusive de l'outil électrique et/ou de l'inobservation des procédures d'utilisation. Il peut être évité en suivant les quelques précautions indiquées ci-dessous.

- a) **Maintenez fermement l'outil électrique et positionnez-vous de manière à résister aux reculs. Utilisez toujours la poignée auxiliaire, si prévue sur l'appareil, afin de contrôler au mieux ou reculer ou la réaction de couple au cours du démarrage.**

L'opérateur peut contrôler les réactions de couple ou les forces de recul s'il prend les précautions adéquates.

- b) **Ne placez jamais votre main à proximité de l'accessoire en rotation.**

En reculant, l'accessoire peut blesser votre main.

- c) **Ne placez pas votre corps dans la zone de recul de l'appareil.**

Le recul propulse l'outil dans la direction opposée au mouvement de la meule au point de pincement.

- d) **Faites particulièrement attention lorsque vous travaillez sur des coins ou des rebords tranchants, etc. Évitez de faire rebondir l'accessoire et de le coincer.**

Les coins, rebords tranchants ou les rebonds ont tendance à coincer l'accessoire en rotation, provoquant une perte de contrôle ou un recul.

- e) **Ne fixez pas de scie à chaîne, de lame à sculpter ou autre lame de scie à dents.**

Ces lames sont souvent à l'origine de retours et de pertes de contrôle.

AVERTISSEMENTS DE SÉCURITÉ SPÉCIFIQUES AUX OPÉRATIONS DE MEULAGE

- a) **Utilisez uniquement des types de meules recommandées pour votre outil électrique ainsi que le dispositif de protection spécifiquement conçu pour la meule utilisée.**

Les meules autres que celles pour lesquelles cet outil électrique a été conçu ne peuvent être protégées de manière adéquate et ne sont pas sécurisées.

- b) **La surface de meulage des meules à dépression centrale doit être montée au-dessous du plan de la lèvre du carter de protection.**

Une meule mal montée qui dépasse du plan de la lèvre du carter de protection ne peut pas être correctement protégée.

- c) **Le dispositif de protection doit être correctement fixé à l'outil électrique et positionné de manière à assurer une sécurité optimale, en laissant exposée la plus petite partie possible de la meule.**

Le dispositif de protection protège l'opérateur en cas de bris de la meule, de contact accidentel avec la meule et des étincelles susceptibles d'enflammer les vêtements.

- d) **Les meules doivent uniquement être utilisées pour les applications recommandées. Par exemple : n'utilisez pas le côté à tronçonner de la meule pour abraser.**

Les meules de tronçonnage par abrasion sont prévues pour un meulage périphérique. L'application d'une force latérale peut les faire briser en éclats.

- e) **Utilisez toujours des brides de taille et de forme adaptées à la meule utilisée.**

Les brides supportent la meule, réduisant ainsi le risque de bris. Les brides de meules de tronçonnage être différentes des brides de meules de remouleur.

- f) **N'utilisez pas de meules usées provenant d'outils électriques plus puissants.**

Les meules prévues pour des outils électriques plus puissants ne sont pas adaptées à la vitesse (supérieure) d'un outil de plus petite taille et risquent d'éclater.

CONSIGNES DE SECURITE GENERALES RELATIVES AUX MEULEUSES DROITES

- Vérifiez que la vitesse indiquée sur la meule est égale ou supérieure à la vitesse nominale de la meuleuse.
- Vérifiez que les dimensions des meules sont compatibles avec la meuleuse.
- Les meules abrasives doivent être stockées et manipulées conformément aux instructions du fabricant.
- Inspectez la meule de la meuleuse avant utilisation, n'utilisez pas de produits ébréchés, craquelés ou défectueux.
- Vérifiez que les meules et les points montés sont installés conformément aux instructions du fabricant.
- Vérifiez que les buvards sont utilisés lorsqu'ils sont équipés du produit abrasif stratifié et lorsqu'ils sont nécessaires.
- Vérifiez que le produit abrasif est correctement monté et serré avant d'utiliser et de démarrer l'outil sans charge pendant 30 secondes en position sûre ; en cas de vibrations excessives ou autres défauts, arrêtez immédiatement l'outil. Si tel est le cas, vérifiez la machine pour en déterminer la cause.
- Si l'outil est équipé d'un protecteur, ne jamais utiliser cet outil sans ce protecteur.

- N'utilisez pas de douilles de réductions ou d'adaptateurs pour adapter des meules abrasives à grand orifice.
 - Pour les outils destinés à être équipés d'une meule à orifice fileté, vérifiez que le fil dans la meule est suffisamment long pour accueillir la longueur de la broche.
 - Immobilisez la pièce et vérifiez qu'elle est correctement supportée. Une pièce serrée par des dispositifs de serrage ou dans un étau est mieux tenue qu'à la main.
 - Ne pas utiliser de meule de coupe pour l'affûtage latéral.
 - Vérifiez que les étincelles dues à l'utilisation ne représentent pas un danger, par ex. ne touchent pas des personnes ou enflamment des substances inflammables.
 - Vérifiez que les bouches d'aération ne sont pas obstruées en travaillant dans un environnement poussiéreux ; s'il est nécessaire de nettoyer la poussière, débranchez d'abord l'outil de la prise d'alimentation (utilisez des objets non métalliques) et évitez d'endommager les pièces internes ;
 - Utilisez toujours des lunettes et des protections auriculaires. Il est recommandé de porter des équipements de protection personnelle tels qu'un masque, des gants, un casque et un tablier.
 - Prenez garde à la meule qui continue de tourner une fois l'outil éteint.
4. **Utiliser uniquement une meule à dépression centrale ayant un régime nominal SUPERIEUR à 13 300/min pour G12SE3 et 12 000/min pour G13SE3.** L'utilisation d'une meule à dépression centrale ayant un régime nominal INFÉRIEUR à 13 300/min pour G12SE3 et 12 000/min pour G13SE3 et/ou d'une meule de la mauvaise taille (voir les SPECIFICATIONS, page 20) risque de provoquer une rupture de la meule et de projeter des fragments de meule, ce qui pourrait entraîner la mort ou des blessures graves.
5. **NE JAMAIS toucher les parties mobiles.**



NE JAMAIS placer ses mains, ses doigts ou toute autre partie de son corps près des parties mobiles de l'outil.

6. **NE JAMAIS utiliser l'outil sans que tous les dispositifs de sécurité ne soient en place.**

NE JAMAIS faire fonctionner cet outil sans que tous les dispositifs et caractéristiques de sécurité ne soient en place et en état de fonctionnement. Si un entretien ou une réparation nécessite le retrait d'un dispositif ou d'une caractéristique de sécurité, s'assurer de bien remettre en place le dispositif ou la caractéristique de sécurité avant de recommencer à utiliser l'outil.

7. **Utiliser l'outil correct.**

Ne pas forcer sur un petit outil ou accessoire pour faire le travail d'un outil de grande puissance. Ne pas utiliser un outil pour un usage pour lequel il n'a pas été prévu: par exemple, ne pas utiliser une scie circulaire pour couper des branches d'arbre ou des bûches.

8. **NE JAMAIS utiliser un outil motorisé pour des applications autres que celles spécifiées.**

NE JAMAIS utiliser un outil motorisé pour des applications autres que celles spécifiées dans le mode d'emploi.

9. **Manipuler l'outil correctement.**

Utiliser l'outil de la façon indiquée dans ce mode d'emploi. Ne pas laisser tomber ou lancer l'outil. **NE JAMAIS** permettre que l'outil soit utilisé par des enfants, des personnes non familiarisées avec son fonctionnement ou un personnel non autorisé.

10. **Maintenir toutes les vis, tous les boulons et les couvercles fermement en place.**

Maintenir toutes les vis, tous les boulons et les couvercles fermement montés. Vérifier leurs conditions périodiquement.

11. **Ne pas utiliser les outils motorisés si le revêtement de plastique ou la poignée est fendu.**

Des fentes dans le revêtement ou la poignée peuvent entraîner une électrocution. De tels outils ne doivent pas être utilisés avant d'être réparés.

REGLES DE SECURITE SPECIFIQUES ET SYMBOLES

1. **TOUJOURS utiliser un capot couvre-meule approprié avec la meuleuse à disque.** En effet, le capot couvre-meule met l'opérateur à l'abri d'éventuelles projections de fragments de meule cassés.
2. **Les accessoires doivent être utilisés à une cadence équivalent au moins à la vitesse de rotation de la meule telle qu'elle est indiquée sur l'étiquette de mise en garde de l'outil.** En effet, les meules et les autres accessoires qui sont utilisés à une cadence supérieure à la vitesse nominale risquent d'être projetés aux alentours et de blesser quelqu'un.
3. **TOUJOURS porter des protecteurs d'oreille lors de l'utilisation de l'outil pendant de longues périodes.**



Une exposition prolongée à un son de forte intensité peut endommager l'ouïe de l'utilisateur.

12. Les lames et les accessoires doivent être fermement montés sur l'outil.

Éviter les blessures potentielles personnelles et aux autres. Les lames, les instruments de coupe et les accessoires qui ont été montés sur l'outil doivent être fixés et serrés fermement.

13. Garder propres les événements d'air du moteur.

Les événements d'air du moteur doivent être maintenus propres de façon que l'air puisse circuler librement tout le temps. Vérifier les accumulations de poussière fréquemment.

14. Utiliser l'outil motorisé à la tension nominale.

Utiliser l'outil motorisé à la tension spécifiée sur sa plaque signalétique.

Si l'on utilise l'outil motorisé avec une tension supérieure à la tension nominale, il en résultera une rotation anormalement trop rapide du moteur et cela risque d'endommager l'outil et le moteur risque de griller.

15. NE JAMAIS utiliser un outil défectueux ou qui fonctionne anormalement.

Si l'outil n'a pas l'air de fonctionner normalement, fait des bruits étranges ou sans cela paraît défectueux, arrêter de l'utiliser immédiatement et le faire réparer par un centre de service metabo HPT autorisé.

16. NE JAMAIS laisser fonctionner l'outil sans surveillance. Le mettre hors tension.

Ne pas abandonner l'outil avant qu'il ne soit complètement arrêté.

17. Manipuler l'outil motorisé avec précaution.

Si un outil motorisé tombe ou frappe un matériau dur accidentellement, il risque d'être déformé, fendu ou endommagé.

18. Ne pas essuyer les parties en plastique avec du solvant.

Les solvants comme l'essence, les diluants, la benzine, le tétrachlorure de carbone et l'alcool peuvent endommager et fissurer les parties en plastique. Ne pas les essuyer avec de tels solvants.

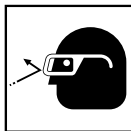
Essuyer les parties en plastique avec un chiffon doux légèrement imbibé d'une solution d'eau savonneuse et sécher minutieusement.

19. NE JAMAIS utiliser de meule à dépression centrale fendue, déformée ou usée (voir la section ENTRETIEN ET INSPECTION, page 24).

20. NE JAMAIS utiliser la meuleuse à disque dans des endroits où les étincelles générées par la meuleuse à disque peuvent causer une explosion. Par exemple, en présence de matériaux inflammables ou de gaz.

21. NE JAMAIS appuyer sur la bouton-poussoir pendant que l'arbre est en train de tourner.

22. TOUJOURS porter des lunettes des protections conformes aux exigences des dernières révisions du standard ANSI Z87.1.



23. TOUJOURS porter un masque ou un respirateur pour se protéger de la poussière et des particules dangereuses générées pendant l'opération de meulage.

24. TOUJOURS tenir fermement la poignée principale et la poignée latérale lors de l'utilisation de la meuleuse à disque.

25. TOUJOURS réaliser un essai de fonctionnement avant de commencer le meulage. (Voir Essayer la meuleuse à disque avant de l'utiliser, la page 22).

26. TOUJOURS suivre les instructions contenues dans ce mode d'emploi lors du remplacement de la meule à dépression centrale.

27. TOUJOURS vérifier s'il y a des objets encastrés, par exemple des fils électriques.

Le fait de toucher avec l'outil un fil ou un câble électrique sous tension encastré dans le mur risque de provoquer une décharge électrique.

Vérifier s'il y a des objets encastrés, par exemple un câble électrique, dans le mur, le plancher ou le plafond avant d'y commencer le travail.

28. Définitions pour les symboles utilisés sur cet outil

- V..... volts
- ~ Courant alternatif
- Hz..... hertz
- A..... ampères
- n vitesses nominale
- W..... watt
- Construction de classe II
- /min..... tours par minute
- ø..... Diamètre de la meule

DOUBLE ISOLATION POUR UN FONCTIONNEMENT PLUS SÛR

Pour assurer un fonctionnement plus sûr de cet outil motorisé, metabo HPT a adopté une conception à double isolation. "Double isolation" signifie que deux systèmes d'isolation physiquement séparés ont été utilisés pour isoler les matériaux conducteurs d'électricité connectés à l'outil motorisé à partir du cadre extérieur manipulé par l'utilisateur. C'est pourquoi, le symbole "☐" ou les mots "Double insulation" (double isolation) apparaissent sur l'outil motorisé ou sur la plaque signalétique.

Bien que ce système n'ait pas de mise à terre extérieure, il est quand même nécessaire de suivre les précautions de sécurité électrique données dans ce mode d'emploi, y-compris de ne pas utiliser l'outil motorisé dans un environnement humide.

Pour garder le système de double isolation effectif, suivre ces précautions:

- Seuls les CENTRES DE SERVICE AUTORISÉS metabo HPT peuvent démonter et remonter cet outil motorisé et uniquement des pièces de rechange metabo HPT garanties d'origine doivent être utilisées.
- Nettoyer l'extérieur de l'outil motorisé uniquement avec un chiffon doux légèrement imbibé d'une solution savonneuse et essuyer minutieusement. Ne jamais utiliser des solvants, de l'essence ou des diluants sur les parties en plastique; sinon le plastique risquerait de se dissoudre.

**CONSERVER CES INSTRUCTIONS
ET
LES METTRE A LA DISPOSITION DES AUTRES UTILISATEURS
ET
PROPRIETAIRES DE CET OUTIL!**

DESCRIPTION FONCTIONNELLE

REMARQUE

Les informations contenues dans ce mode d'emploi sont conçues pour assister l'utilisateur dans une utilisation sans danger et un entretien de l'outil motorisé.

NE JAMAIS utiliser ni entreprendre une révision de l'outil sans avoir d'abord lu et compris toutes les instructions de sécurité contenues dans ce manuel.

Certaines illustrations dans ce mode d'emploi peuvent montrer des détails ou des accessoires différents de ceux de l'outil motorisé utilisé.

NOM DES PARTIES

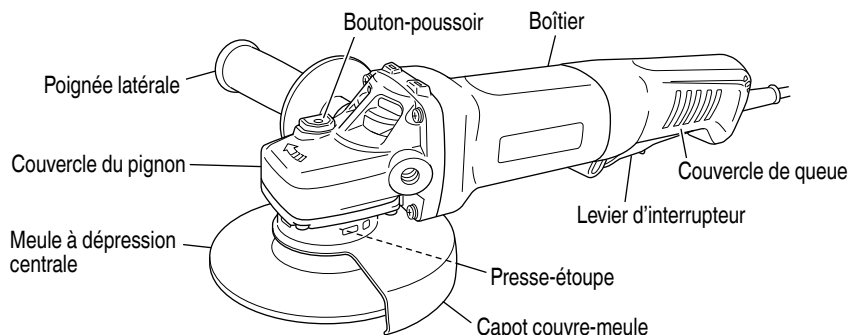


Fig. 1

SPECIFICATIONS

Modèle	G12SE3	G13SE3
Moteur	Moteur série monophasé à collecteur	
Source d'alimentation	Monophasé 120 V CA 60 Hz / 120 V CC	
Courant	10,6 A	
Vitesse nominale	11 500 /min.	
Taille de la meule: diamètre extérieur épaisseur diamètre du trou central	4-1/2" (115 mm) 1/4" (6 mm) 7/8" (22,23 mm)	5" (125 mm) 1/4" (6 mm) 7/8" (22,23 mm)
Poids	5,5 lbs (2,5 kg)	

ASSEMBLAGE ET FONCTIONNEMENT

UTILISATIONS

- Retrait des ébarbures de moulage et finition de divers type de matériaux en métal, bronze et aluminium ainsi que des moulages.
- Meulage des sections soudées ou des sections coupées à l'acétylène.

⚠ AVERTISSEMENT

Pour éviter tout risque de blessures graves, NE JAMAIS utiliser cette meuleuse à disque avec des meules-boisseries et/ou des lames de scie.

AVANT L'UTILISATION

1. Source d'alimentation
S'assurer que la source d'alimentation qui doit être utilisée est conforme à la source d'alimentation requise spécifiée sur la plaque signalétique du produit.
2. Interrupteur d'alimentation
S'assurer que l'interrupteur est sur la position OFF (arrêt). Si la fiche est connectée sur une prise alors que l'interrupteur est sur la position ON (marche), l'outil motorisé démarrera immédiatement risquant de causer de sérieuses blessures.
3. Cordon prolongateur
Quand la zone de travail est éloignée de la source d'alimentation, utiliser un cordon prolongateur d'épaisseur et de capacité nominale suffisante. Le cordon prolongateur doit être aussi court que possible.



⚠ AVERTISSEMENT

Tout cordon endommagé devra être remplacé ou réparé.

4. Vérifier la prise
Si la prise reçoit la fiche avec beaucoup de jeu, elle doit être réparée. Contacter un électricien licencié pour réaliser les réparations nécessaires.
Si une telle prise défectueuse est utilisée, elle peut causer une surchauffe entraînant des dangers sérieux.
5. Vérifier l'environnement de travail
S'assurer des points suivants avant d'utiliser l'outil ;
 - Il n'y a pas de gaz, de liquides ni d'objets inflammables sur le site de travail.
 - Le meulage de feuilles de métal fines peut engendrer un son très aigu. Pour éviter les bruits de ce genre, placer un tapis de caoutchouc sous la pièce.

- Eloigner de la pièce tous les enfants et le personnel non autorisé.
6. Montage du capot couvre-meule
S'assurer de monter le capot couvre-meule avec un angle qui protège le corps de l'opérateur de blessures causées par une pièce de métal cassée.
[Installation du capot couvre-meule]
 - Ouvrir et tenir le levier, puis installer le garde-roue de manière à ce que la partie saillante sur le garde-roue soit alignée avec le renforcement du presse-étoupe.
 - Tourner le garde-roue à un angle approprié pour l'utilisation, puis relâcher le doigt du levier.
 - Tourner le garde-roue à gauche ou à droite pour le bloquer en place.

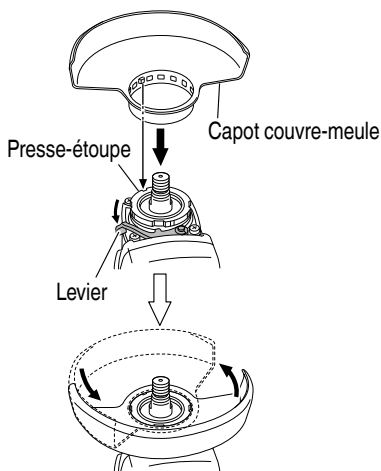


Fig. 2

⚠ AVERTISSEMENT

Si le capot couvre-meule n'est pas correctement fixé, cela risque de provoquer une rupture de la meule et d'entraîner la mort ou des blessures graves.

7. Avant le montage, inspecter attentivement la meule à dépression centrale pour voir si elle a des fissures, fentes ou autres anomalies. S'assurer qu'elle est solidement fixée et qu'elle est montée correctement. Pour l'assemblage et le désassemblage de la meule à dépression centrale, voir page 23.

8. Essayer la meuleuse à disque avant de l'utiliser.
 Avant de commencer le travail de meulage, essayer la meuleuse à disque en éloignant d'abord toutes les autres personnes de la pièce. S'assurer que le capot couvre-meule est en place et que l'on porte des lunettes de protection. Mettre la meuleuse à disque en marche et s'assurer que la meule tourne en douceur et ne présente pas d'anomalie.
 La durée de l'essai de fonctionnement est comme suit:
 Quand la meule à dépression centrale a été remplacée 3 minutes ou plus
 Avant de commencer le travail quotidien 1 minute ou plus
9. Utiliser seulement des meules à dépression centrale à valeur correcte.
 Utiliser uniquement une meule à dépression centrale ayant un régime nominal de **13 300/min ou plus pour G12SE3 et 12 000/min ou plus pour G13SE3**.
 L'utilisation d'une meule à dépression centrale de valeur inférieure peut conduire à une désintégration de la meule pendant son fonctionnement et causer de sérieuses blessures corporelles.
10. Vérifier la bouton-poussoir.
 S'assurer que la bouton-poussoir n'est pas engagée appuyant dessus deux ou trois fois avant de mettre la meuleuse à disque en marche. (Fig. 5)

UTILISATION DE LA MEULEUSE À DISQUE

1. Maintenir la meuleuse à disque fermement par son boîtier et sa poignée secondaire (Fig. 1).
 La meuleuse à disque produit une contre-force qui doit être maîtrisée en la maintenant fermement.

2. Fonctionnement de l'interrupteur
 [Si l'interrupteur a un mécanisme de blocage]
 Interrupteur sur ON:

Pour mettre l'outil en marche, pousser le levier de désactivation de blocage dans la direction de Ⓐ et appuyer sur le levier d'arrêt dans la direction de Ⓑ comme indiqué sur la Fig.3-a.
 Ensuite, poussez le levier d'activation de blocage dans la direction de Ⓒ comme indiqué sur la Fig.3-b tout en appuyant sur la levier d'arrêt pour verrouiller et permettre un fonctionnement continu.

- Interrupteur sur OFF:

Pour annuler le mode de blocage, appuyer sur le levier d'arrêt dans la direction de Ⓑ comme indiqué sur la Fig.3-a et relâcher le levier d'arrêt pour arrêter l'outil.

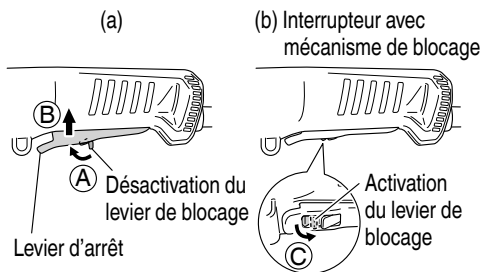


Fig. 3

- [Si l'interrupteur n'a pas de mécanisme de blocage]

Pour mettre l'outil en marche, pousser le levier de blocage dans la direction de Ⓐ et appuyer sur le levier d'arrêt dans la direction de Ⓑ comme indiqué sur la Fig. 3-a. Relâcher le levier d'arrêt pour arrêter l'outil.

REMARQUE: Le levier d'arrêt ne peut pas être bloqué.

3. Utiliser une légère pression de meulage.
 Il n'y a pas besoin d'appuyer fortement sur la meuleuse à disque pendant le meulage. Normalement le propre poids de la meuleuse à disque est suffisant pour permettre le léger contact requis avec la surface à travailler.

⚠ AVERTISSEMENT

Ne pas presser avec force la meuleuse à disque sur la surface à rectifier. Une forte pression peut casser la meule et causer de sérieuses blessures. Cela peut aussi endommager la surface en train d'être rectifiée et le moteur de la meuleuse à disque.

4. Utiliser un angle de meulage correct.
Meuler seulement avec le rebord de la meule en soulevant la meuleuse à disque de 15° à 30°, comme montré sur la Fig. 4.

⚠ PRÉCAUTION
Ne pas utiliser la surface entière de la meule à dépression centrale. Utiliser seulement le rebord de la meule à dépression centrale.

5. Déplacer la meuleuse à disque dans la direction correcte.
Lors de l'utilisation d'une nouvelle meule à dépression centrale dans la direction A (Fig. 4), le rebord de la meule risque de couper la pièce à usiner. Dans ce cas meuler dans la direction B (Fig. 4).
Une fois que la meule est usée, la pièce à usiner peut être meulée dans les deux directions.

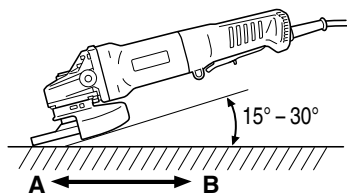


Fig. 4

REMARQUE

La meule fournie (meule en résine) est classée comme grain de classe A avec une taille de grain de #36. Elle est plus adaptée aux lourds travaux de meulage sur du métal et d'autres types de matériaux.

6. Opération d'ajustement pour la finition souhaitée.
Pour une finition fine, diminuer la pression en soulevant légèrement la meuleuse à disque. Meuler doucement et à la vitesse appropriée.

⚠ PRÉCAUTION
La meule à dépression centrale en rotation crée une turbulence d'air.
Ne pas poser la meuleuse à disque dans des endroits poussiéreux ou sales avant qu'elle ne soit complètement arr

ASSEMBLAGE ET DESASSEMBLAGE DE LA MEULE A DEPRESSION CENTRALE

⚠ AVERTISSEMENT

Ne jamais essayer d'assembler ou de désassembler la meule à dépression centrale si l'interrupteur d'alimentation n'est pas sur la position "OFF" et que le cordon électrique n'est pas débranché de la prise secteur.

- Assemblage
 - (1) Mettre la meuleuse à disque à l'envers de façon que l'arbre soit dirigé vers le haut.
 - (2) Aligner l'entaille de forme ovale de la rondelle de meule avec l'encoche de l'arbre, puis les attacher.
 - (3) Positionner la protubérance de la meule à dépression centrale sur la rondelle de meule.
 - (4) Visser l'écrou de meule sur l'arbre.
 - (5) Tout en poussant sur le bouton-poussoir avec une main, verrouiller l'arbre en tournant doucement la meule à dépression centrale avec l'autre main. Serrer l'écrou de meule en utilisant la clef fournie comme montré sur la Fig. 5.

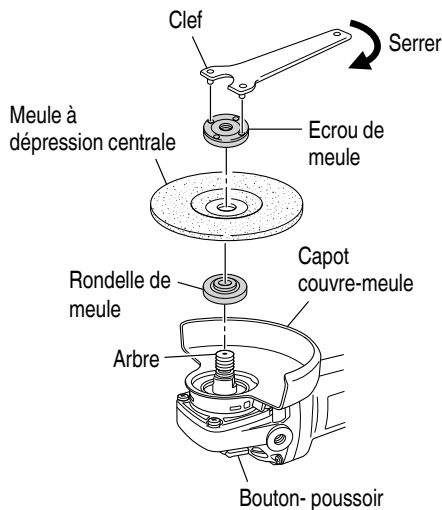


Fig. 5

⚠ PRÉCAUTION
Serrer l'écrou de meule fermement et s'assurer que la meule à dépression centrale n'oscille pas.

- Désassemblage
Pour retirer la meule à dépression centrale, il suffit de suivre la procédure ci-dessus dans l'ordre inverse.

ENTRETIEN ET INSPECTION

⚠ AVERTISSEMENT

- S'assurer de mettre l'interrupteur d'alimentation sur la position OFF et de déconnecter la fiche de la prise secteur avant l'entretien et l'inspection de la meuleuse à disque.
- L'utilisation d'une meule fissurée, déformée ou endommagée risque de provoquer une rupture de la meule et d'entraîner la mort ou des blessures graves.

1. Remplacement de la meule à dépression centrale
Remplacer la meule à dépression centrale quand elle est usée sur environ 2-3/8" (60 mm) du diamètre extérieur. Vérifier qu'il n'y a pas de fissure ni aucun dommage à la meule à dépression centrale. S'il y avait une fissure ou une modification de la meule, la remplacer immédiatement.
2. Inspection des vis
Inspecter régulièrement toutes les vis et s'assurer qu'elles sont serrées à fond. Si l'une des vis était desserrée, la resserrer immédiatement.

⚠ AVERTISSEMENT

Utiliser la meuleuse à disque avec des vis desserrées est extrêmement dangereux.

3. Vérifier que le capot couvre-meule, le cordon, le boîtier, etc. ne sont pas endommagés.
Vérifier que l'interrupteur de marche/arrêt fonctionne normalement.
4. Inspection des balais en carbone
Pour assurer à tout moment la sécurité et la protection contre les chocs électrique, confier l'inspection et le remplacement des balais en carbone de l'outil EXCLUSIVEMENT à un centre de service après-vente agréé par metabo HPT.
5. Remplacement du cordon d'alimentation
Si le cordon d'alimentation de l'outil est endommagé, rapporter l'outil à un service après-vente metabo HPT agréé pour faire remplacer le cordon.
6. Entretien et réparation
Tous les outils motorisés de qualité auront éventuellement besoin d'une réparation ou du remplacement d'une pièce à cause de l'usure normale de l'outil. Pour assurer que seules des pièces de rechange autorisées seront utilisées, tous les entretiens et les réparations doivent être effectués uniquement par UN CENTRE DE SERVICE metabo HPT AUTORISÉ.
7. Entretien du moteur

⚠ AVERTISSEMENT

Portez toujours des lunettes de sécurité et des masques protecteurs contre la poussière quand vous soufflez de l'air à partir du trou d'évent du couvercle de queue avec l'utilisation d'un pistolet pneumatique, etc. ...

De la poussière peut être inhalée ou s'introduire dans vos yeux si vous n'observez pas cette précaution.

La bobine du moteur est une pièce importante de l'appareil. Assurez-vous qu'il ne soit pas endommagé ou en contact avec de l'huile ou de l'eau.

REMARQUE

Quand le travail est fini, souffler de l'air ne contenant aucune humidité à partir du trou d'évent du couvercle de queue en utilisant un pistolet pneumatique, etc. ... pendant que vous faites marcher le moteur sans appliquer aucune charge. Ceci est efficace pour enlever toute trace de saletés et de poussières qui ont pu s'accumuler. L'accumulation de saletés et de poussières dans le moteur peut provoquer des dysfonctionnements.

MODIFICATIONS

Les outils électriques metabo HPT sont constamment améliorés et modifiés afin d'incorporer les tous derniers progrès technologiques. En conséquence, il est possible que certaines pièces soient modifiées sans avis préalable.

ACCESSOIRES

⚠ AVERTISSEMENT

Ne jamais utiliser de pièces d'accessoires autres que ceux mentionnés ci-dessous.

L'utilisation de tout autre accessoire que ceux mentionnés ci-dessous ou de tout équipement non conçu pour cet outil, tel qu'une meule-boisbeau, une meule en cuvette ou une lame de scie est dangereuse et peut provoquer des blessures ou des dommages du matériel.

REMARQUE

Les accessoires sont sujets à changement sans obligation de la part de metabo HPT.

ACCESSOIRES STANDARD

- Meule à dépression centrale 1
4-1/2" (115 mm) dia. extérieur x 1/4" (6 mm)
épaisseur x 7/8" (22,23 mm) trou central
(No. de code 316821)..... G12SE3
- Meule à dépression centrale 1
5" (125 mm) dia. extérieur x 1/4" (6 mm)
épaisseur x 7/8" (22,23 mm) trou central
(No. de code 316822)..... G13SE3
- Clef (No. de code 938332Z) 1
- Poignée latérale (No. de code 994322) 1

REMARQUE

Les spécifications sont sujettes à modification sans aucune obligation de la part de metabo HPT.

INFORMACIÓN IMPORTANTE SOBRE SEGURIDAD

Antes de utilizar o de realizar cualquier trabajo de mantenimiento de esta herramienta eléctrica, lea y comprenda todas las precauciones de seguridad, advertencias e instrucciones de funcionamiento de este Manual de instrucciones.

La mayoría de los accidentes producidos en la operación y el mantenimiento de una herramienta eléctrica se deben a la falta de observación de las normas o precauciones de seguridad. Los accidentes normalmente podrán evitarse reconociendo una situación potencialmente peligrosa a tiempo y siguiendo los procedimientos de seguridad apropiados.

Las precauciones básicas de seguridad se describen en la sección "SEGURIDAD" de este Manual de instrucciones y en las secciones que contienen las instrucciones de operación y mantenimiento.

Para evitar lesiones o el daño de la herramienta eléctrica, los riesgos están identificados con ADVERTENCIAS en dicha herramienta y en este Manual de instrucciones.

No utilice **NUNCA** esta herramienta eléctrica de ninguna forma que no esté específicamente recomendada por metabo HPT.

SIGNIFICADO DE LAS PALABRAS DE SEÑALIZACIÓN

ADVERTENCIA indica situaciones potencialmente peligrosas que, si se ignoran, pueden resultar en la muerte o en lesiones de gravedad.

PRECAUCIÓN indica situaciones potencialmente peligrosas que, de no evitarse, pueden resultar en lesiones menores o moderadas, o causar daños en la herramienta eléctrica.

NOTA acentúa información esencial.

SEGURIDAD

ADVERTENCIAS DE SEGURIDAD GENERAL DE LA HERRAMIENTA ELÉCTRICA

⚠ **ADVERTENCIA**

Lea todas las instrucciones y todas las advertencias de seguridad.

Si no se siguen las advertencias e instrucciones, podría producirse una descarga eléctrica, un incendio y/o daños graves.

Guarde todas las advertencias e instrucciones para futura referencia.

El término "herramienta eléctrica" en las advertencias hace referencia a la herramienta eléctrica que funciona con la red de suministro (con cable) o a la herramienta eléctrica que funciona con pilas (sin cable).

1) Seguridad en el área de trabajo

a) Mantenga la zona de trabajo limpia y bien iluminada.

Las zonas desordenadas o oscuras pueden provocar accidentes.

b) No utilice las herramientas eléctricas en entornos explosivos como, por ejemplo, en presencia de líquidos inflamables, gases o polvo.

Las herramientas eléctricas crean chispas que pueden hacer que el polvo desprenda humo.

c) Mantenga a los niños y transeúntes alejados cuando utilice una herramienta eléctrica.

Las distracciones pueden hacer que pierda el control.

2) Seguridad eléctrica

a) Los enchufes de las herramientas eléctricas tienen que ser adecuados a la toma de corriente.

No modifique el enchufe.

No utilice enchufes adaptadores con herramientas eléctricas conectadas a tierra.

Si no se modifican los enchufes y se utilizan tomas de corriente adecuadas se reducirá el riesgo de descarga eléctrica.

b) Evite el contacto corporal con superficies conectadas a tierra como tuberías, radiadores y frigoríficos.

Hay mayor riesgo de descarga eléctrica si su cuerpo está en contacto con el suelo.

c) No exponga las herramientas eléctricas a la lluvia o a la humedad.

La entrada de agua en una herramienta eléctrica aumentará el riesgo de descarga eléctrica.

d) No utilice el cable incorrectamente. No utilice el cable para transportar, tirar de la herramienta eléctrica o desenchufarla.

Mantenga el cable alejado del calor, del aceite, de bordes afilados o piezas móviles.

Los cables dañados o enredados aumentan el riesgo de descarga eléctrica.

e) Cuando utilice una herramienta eléctrica al aire libre, utilice un cable prolongador adecuado para utilizarse al aire libre.

La utilización de un cable adecuado para usarse al aire libre reduce el riesgo de descarga eléctrica.

- f) **Si no se puede evitar el uso de una herramienta eléctrica en un lugar húmedo, utilice un suministro protegido mediante un dispositivo de corriente residual (RCD).**
El uso de un RCD reduce el riesgo de descarga eléctrica.
- 3) **Seguridad personal**
- a) **Esté atento, preste atención a lo que hace y utilice el sentido común cuando utilice una herramienta eléctrica.**
No utilice una herramienta eléctrica cuando esté cansado o esté bajo la influencia de drogas, alcohol o medicación.
La distracción momentánea cuando utiliza herramientas eléctricas puede dar lugar a importantes daños personales.
- b) **Utilice un equipo de protección. Utilice siempre una protección ocular.**
El equipo de protección como máscara para el polvo, zapatos de seguridad antideslizantes, casco o protección para oídos utilizado para condiciones adecuadas reducirá los daños personales.
- c) **Evite un inicio involuntario. Asegúrese de que el interruptor está en “off” antes de conectar la herramienta a una fuente de alimentación y/o batería, cogerla o transportarla.**
El transporte de herramientas eléctricas con el dedo en el interruptor o el encendido de herramientas eléctricas con el interruptor encendido puede provocar accidentes.
- d) **Retire las llaves de ajuste antes de encender la herramienta eléctrica.**
Si se deja una llave en una pieza giratoria de la herramienta eléctrica podrían producirse daños personales.
- e) **No se extralimite. Mantenga un equilibrio adecuado en todo momento.**
Esto permite un mayor control de la herramienta eléctrica en situaciones inesperadas.
- f) **Vístase adecuadamente. No lleve prendas sueltas o joyas. Mantenga el pelo, la ropa y los guantes alejados de las piezas móviles.**
La ropa suelta, las joyas y el pelo largo pueden pillarse en las piezas móviles.
- g) **Si se proporcionan dispositivos para la conexión de extracción de polvo e instalaciones de recogida, asegúrese de que están conectados y se utilizan adecuadamente.**
La utilización de un sistema de recogida de polvo puede reducir los riesgos relacionados con el polvo.
- 4) **Utilización y mantenimiento de las herramientas eléctricas**
- a) **No fuerce la herramienta eléctrica. Utilice la herramienta eléctrica correcta para su aplicación.**
La herramienta eléctrica correcta trabajará mejor y de forma más segura si se utiliza a la velocidad para la que fue diseñada.
- b) **No utilice la herramienta eléctrica si el interruptor no la enciende y apaga.**
Las herramientas eléctricas que no pueden controlarse con el interruptor son peligrosas y deben repararse.
- c) **Antes de hacer ajustes, cambiar accesorios o almacenar las herramientas eléctricas, desconecte el enchufe de la fuente eléctrica y/o las baterías de la herramienta.**
Estas medidas de seguridad preventivas reducen el riesgo de que la herramienta eléctrica se ponga en marcha accidentalmente.
- d) **Guarde las herramientas eléctricas que no se utilicen para que no las cojan los niños y no permita que utilicen las herramientas eléctricas personas no familiarizadas con las mismas o con estas instrucciones.**
Las herramientas eléctricas son peligrosas si son utilizadas por usuarios sin formación.
- e) **Mantenimiento de las herramientas eléctricas. Compruebe si las piezas móviles están mal alineadas o unidas, si hay alguna pieza rota u otra condición que pudiera afectar al funcionamiento de las herramientas eléctricas. Si la herramienta eléctrica está dañada, lívela a reparar antes de utilizarla.**
Se producen muchos accidentes por no realizar un mantenimiento correcto de las herramientas eléctricas.
- f) **Mantenga las herramientas de corte afiladas y limpias.**
Las herramientas de corte correctamente mantenidas con los bordes de corte afilados son más fáciles de controlar.
- g) **Utilice la herramienta eléctrica, los accesorios y las brocas de la herramienta, etc. de acuerdo con estas instrucciones, teniendo en cuenta las condiciones laborales y el trabajo que se va a realizar.**
La utilización de la herramienta eléctrica para operaciones diferentes a pretendidas podría dar lugar a una situación peligrosa.
- 5) **Revisión**
- a) **Lleve su herramienta a que la revise un experto cualificado que utilice sólo piezas de repuesto idénticas.**
Esto garantizará el mantenimiento de la seguridad de la herramienta eléctrica.

ADVERTENCIAS COMUNES DE SEGURIDAD PARA LAS OPERACIONES DE MOLIDO

a) Esta herramienta eléctrica está diseñada para utilizarse como amoladora. Lea todas las advertencias de seguridad, instrucciones, ilustraciones y especificaciones proporcionadas con esta herramienta. Si no se siguen todas las instrucciones indicadas a continuación, podría producirse una descarga eléctrica, un incendio y/o daños graves.

b) No se recomienda realizar operaciones como lijado, cepillado metálico, pulido o corte con esta herramienta.

Las operaciones para las que no se diseñó la herramienta eléctrica podrían producir un riesgo y causar daños personales.

c) No utilice accesorios que no estén diseñados y estén recomendados específicamente por el fabricante de la herramienta.

El hecho de que el accesorio pueda acoplarse en la herramienta eléctrica no garantiza una operación segura.

d) La velocidad nominal del accesorio debe ser al menos igual a la velocidad máxima marcada en la herramienta eléctrica.

Los accesorios que se utilizan con una velocidad superior a la indicada podrían romperse o descomponerse.

e) El diámetro externo y el grosor de su accesorio debe estar dentro de la clasificación de capacidad de su herramienta metálica.

Los accesorios de tamaño incorrecto no pueden supervisarse o controlarse adecuadamente.

f) La instalación de accesorios por rosca debe coincidir con la rosca del eje de la amoladora. En los accesorios montados por bridas, el orificio para el eje del accesorio debe adaptarse al diámetro de la brida.

Los accesorios que no coincidan con el sistema de montaje de la herramienta eléctrica se desequilibrarán, vibrarán excesivamente y podrían provocar la pérdida del control de la herramienta.

g) No utilice un accesorio dañado. Antes de cada uso, inspeccione el accesorio, mirando si las ruedas abrasivas tienen grietas o roturas, las almohadillas de respaldo tienen grietas, rasgaduras o desgaste excesivo o el cepillo metálico está suelto o con el metal roto. Si se cae la herramienta eléctrica o el accesorio, inspeccione si está dañado o instale un accesorio sin dañar. Tras inspeccionar e instalar un accesorio, tanto usted como los viandantes deben alejarse del plano del accesorio giratorio y utilizar la herramienta eléctrica a máxima velocidad sin carga durante un minuto.

Los accesorios dañados se romperán durante este periodo de prueba.

h) Utilice equipo protector personal. Dependiendo de la aplicación, utilice protector facial, gafas

protectoras o gafas de seguridad. Si procede, utilice máscara para polvo, protectores auditivos, guantes y mono capaz de detener pequeños fragmentos abrasivos o piezas de trabajo.

El protector ocular debe ser capaz de detener los desechos que salen desprendidos generados por las diferentes operaciones. La máscara para polvo o respirador debe ser capaz de filtrar partículas generadas por su operación. Una exposición prolongada a un ruido de intensidad elevada podría producir pérdida de audición.

i) Mantenga a los viandantes alejados del área de trabajo. Toda persona que entre en la zona de trabajo debe utilizar equipo de protección personal.

Los fragmentos de un trabajo o un accesorio roto pueden salir despedidos y causar daños más allá del área de operación inmediata.

j) Sujete la herramienta eléctrica solamente por las superficies de agarre aisladas cuando realice una operación en la que el accesorio de corte pueda entrar en contacto con cableado oculto o con su propio cable.

El accesorio de corte que entra en contacto con un cable bajo tensión podría hacer que las partes metálicas expuestas de la herramienta eléctrica entren en tensión, pudiendo dar una descarga eléctrica al operario.

k) Coloque el cable cerca del accesorio giratorio.

Si pierde el control, podría cortarse el cable o engancharse y la mano o brazo podrían entrar en el accesorio giratorio.

l) No coloque boca abajo la herramienta eléctrica hasta que el accesorio se haya parado completamente.

El accesorio giratorio podría agarrar la superficie y descontrolar la herramienta eléctrica.

m) No ponga en marcha la herramienta eléctrica cuando la lleve al lado.

Un contacto accidental con el accesorio giratorio podría enganchar la ropa y el accesorio podría herirle.

n) Limpie regularmente los conductos de aire de la herramienta eléctrica.

El ventilador del motor sacará el polvo de dentro del alojamiento y la acumulación excesiva de metal en polvo podría producir peligros eléctricos.

o) No utilice la herramienta eléctrica cerca de materiales inflamables.

Las chispas podrían quemar dichos materiales.

p) No utilice accesorios que requieran refrigerantes líquidos.

Al utilizar agua u otros refrigerantes líquidos podría producirse una electrocución o descarga.

REBOTE Y ADVERTENCIAS RELACIONADAS

El rebote es una reacción repentina a una rueda giratoria, almohadilla de soporte, cepillo u otro accesorio pinchado o enganchado. El pinchazo o enganche causa una parada rápida del accesorio giratorio que, a su vez, hace que la herramienta eléctrica no controlada vaya en la dirección opuesta del giro del accesorio en el punto de atasco.

Por ejemplo, si una rueda abrasiva es enganchada o pinchada por la pieza de trabajo, el borde de la rueda que entra en el punto de pinchazo puede enterrarse en la superficie del material haciendo que la rueda se salga. La rueda puede saltar hacia el operario o salir despedida de este, dependiendo de la dirección del movimiento de la rueda en el punto de pinchazo. Las ruedas abrasivas también pueden romperse bajo estas condiciones.

El rebote es el resultado de un uso incorrecto y/o procedimientos o condiciones operativos incorrectos de la herramienta eléctrica y puede evitarse tomando las precauciones adecuadas indicadas a continuación.

- a) **Agarre la herramienta eléctrica firmemente y coloque el cuerpo y el brazo para que pueda resistirse a las fuerzas de retroceso. Utilice siempre una agarradera auxiliar, si se proporciona, para un control máximo sobre el rebote o reacción del par durante la puesta en marcha.**

El operario puede controlar las reacciones del par o las fuerzas de rebote, si se toman las precauciones adecuadas.

- b) **No coloque la mano cerca del accesorio giratorio.**

El accesorio puede rebotarse en la mano.

- c) **No coloque el cuerpo en la zona en la que la herramienta eléctrica se mueva si se produce un rebote.**

El rebote impulsará a la herramienta en dirección opuesta al movimiento de la rueda en el punto de enganche.

- d) **Tenga especial cuidado cuando trabaje con esquinas, bordes afilados, etc. Evite rebotar y enganchar el accesorio.**

Las esquinas, bordes afilados o el rebote tienden a enganchar el accesorio giratorio y causan la pérdida de control y rebote.

- e) **No coloque una cuchilla talladora de madera o cuchilla dentada en la sierra.**

Dichas cuchillas a menudo producen rebote y pérdida de control.

ADVERTENCIAS DE SEGURIDAD ESPECÍFICAS PARA LAS OPERACIONES DE MOLIDO

- a) **Utilice sólo tipos de ruedas recomendados para su herramienta eléctrica y el protector específico diseñado para la rueda seleccionada.**

Las ruedas para las que no se diseñó la herramienta eléctrica no pueden protegerse adecuadamente y no son seguras.

- b) **La superficie de amolado de las ruedas de disco abombado debe colocarse debajo del plano del borde protector.**

Una rueda mal colocada que sobresalga del plano del borde del protector no podrá protegerse correctamente.

- c) **La protección debe colocarse firmemente en el herramienta eléctrica y colocarse para máxima seguridad, de forma que se expone al operario la cantidad mínima de rueda.**

El protector ayuda a proteger al operario de fragmentos de disco rotos, del contacto accidental con el disco y de chispas que podrían prenderle fuego la ropa.

- d) **Las ruedas deben utilizarse sólo para las aplicaciones recomendadas. Por ejemplo, no muela con el lado de la rueda de corte.**

Las ruedas de corte abrasivas están diseñadas para un molido periférico. Las fuerzas laterales aplicadas a estas ruedas pueden hacer que se rompan.

- e) **Utilice siempre bridas de ruedas sin dañar de tamaño y forma correcta para la rueda seleccionada.**

Las bridas de rueda adecuadas soportan la rueda, reduciendo la posibilidad de rotura de rueda. Las bridas para ruedas de corte pueden ser diferentes de las bridas de rueda de molido.

- f) **No utilice ruedas de herramientas eléctricas más grandes.**

La rueda diseñada para una herramienta eléctrica más grande no es adecuada para la velocidad superior de una herramienta inferior y podría estallar.

INSTRUCCIONES GENERALES DE SEGURIDAD PARA AMOLADORAS

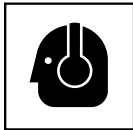
- Compruebe que la velocidad marcada en la rueda es igual o superior a la velocidad media de la amoladora;
- Asegure que las dimensiones de la rueda son compatibles con la amoladora;
- Las ruedas abrasivas deben almacenarse y manipularse con cuidado de acuerdo con las instrucciones del fabricante;
- Inspeccione la rueda amoladora antes de utilizarla. No utilice productos descascarillados, agrietados o defectuosos;
- Asegure que las ruedas y puntos montados se ajustan a las instrucciones del fabricante;
- Asegure que se utilizan secantes cuando se proporcionan con el producto abrasivo y cuando se requiera;
- Asegure que le producto abrasivo está correctamente montado y ajustado antes de la utilización y ponga en marcha la herramienta sin carga durante 30 segundos en una posición segura; pare inmediatamente si hay vibración considerable o si se detectan otros defectos. Si ocurre esto, compruebe la máquina para determinar la causa;
- Si la herramienta se proporciona con una tapa, no utilice nunca la herramienta sin dicha tapa;
- No utilice cojinetes reductores o adaptadores diferentes para adaptar ruedas abrasivas de orificio grande;
- Para herramientas que se utilicen con rueda de orificio roscado, asegúrese de que la rosca de la rueda es lo suficientemente larga para aceptar la longitud del eje;
- Asegure la pieza de trabajo y verifique que esté bien sujeta. Una pieza de trabajo sujeta con dispositivos de sujeción o en un banco se sostiene mejor que con la mano;
- No utilice una rueda de recorte para el amole lateral;
- Asegúrese de que las chispas emitidas al utilizar la herramienta no crean ningún riesgo, es decir, no alcanzan a ninguna persona ni sustancia inflamable;

- Asegúrese de que las aperturas de ventilación están despejadas cuando trabaje en condiciones con polvo. Si es necesario limpiar el polvo, desconecte primero la herramienta de la toma de corriente (utilice objetos no metálicos) y evite dañar las piezas internas;
- Utilice siempre protección de ojos y de oídos, así como otro equipo protector personal como máscara de polvo, guantes, casco y mono;
- Preste atención a la rueda que sigue girando tras apagar la herramienta.

NORMAS Y SÍMBOLOS ESPECÍFICOS DE SEGURIDAD

1. **EMPLEE siempre un protector adecuado con muela abrasiva.** Un protector que proteja al operador de los fragmentos de la rueda rota.
2. **Los accesorios deben tener un valor nominal por lo menos para la velocidad recomendada en la etiqueta de advertencia de la herramienta.** Los discos y los otros accesorios que funcionan a una velocidad superior a la nominal pueden salir volando y causar daños.

3. **EMPLEE siempre protectores auditivos cuando tenga que utilizar la herramienta durante mucho tiempo.**



La exposición prolongada a ruido de gran intensidad puede causar la pérdida del sentido del oído.

4. **Utilice únicamente una rueda de disco abombado con una capacidad nominal SUPERIOR a 13 300/min para G12SE3 y 12 000/min para G13SE3.** El uso de una rueda con una capacidad nominal INFERIOR a 13 300/min para G12SE3 y 12 000/min para G13SE3 y/o una rueda del tamaño incorrecto (véase ESPECIFICACIONES en la página 32) podría producir rotura de la rueda y proyección de fragmentos de la rueda, provocando la muerte o lesiones de gravedad.

5. **No toque nunca las piezas móviles.**



NO coloque **NUNCA** sus manos, dedos, ni demás partes del cuerpo cerca de las piezas móviles de la herramienta.

6. **NO utilice NUNCA la herramienta sin los protectores colocados en su lugar.**

NO utilice **NUNCA** esta herramienta sin los protectores de seguridad correctamente instalados. Si el trabajo de mantenimiento o de reparación requiere el desmontaje de un protector de seguridad, cerciórese de volver a instalarlo antes de utilizar la herramienta.

7. **Utilice la herramienta correcta.**

No fuerce herramientas ni accesorios pequeños para realizar un trabajo pesado. No utilice las herramientas para fines no proyectados, por ejemplo, no utilice una sierra circular para cortar ramas o lenos.

8. **NO utilice NUNCA una herramienta eléctrica para aplicaciones que no sean las especificadas.**

NO utilice **NUNCA** una herramienta eléctrica para aplicaciones no especificadas en este Manual de instrucciones.

9. **Maneje correctamente la herramienta.**

Maneje la herramienta de acuerdo con las instrucciones ofrecidas aquí. No deje caer ni tire la herramienta. **NO** permita **NUNCA** que los niños ni otras personas no autorizadas ni familiarizadas con la operación de la herramienta utilicen ésta.

10. **Mantenga todos los tornillos, pernos, y cubiertas firmemente fijados en su lugar.**

Mantenga todos los tornillos, pernos, y cubiertas firmemente montados. Compruebe periódicamente su condición.

11. **No utilice herramientas eléctricas si la carcasa o la empuñadura de plástico está rajada.**

Las rajadas en la carcasa o en la empuñadura de plástico pueden conducir a descargas eléctricas. Tales herramientas no deberán utilizarse mientras no se hayan reparado.

12. **Las cuchillas y los accesorios deberán montarse con seguridad en la herramienta.**

Evite lesiones personales y de otras personas. Las cuchillas, los accesorios de corte, y demás accesorios montados en la herramienta deberán fijarse con seguridad.

13. **Mantenga limpio el conducto de ventilación del motor.**

El conducto de ventilación del motor limpio para que el aire pueda circular libremente en todo momento. Compruebe frecuentemente y limpie el polvo acumulado.

14. **Utilice las herramientas eléctricas con la tensión de alimentación nominal.**

Utilice las herramientas eléctricas con las tensiones indicadas en sus placas de características.

La utilización de una herramienta eléctrica con una tensión superior a la nominal podría resultar en revoluciones anormalmente altas del motor, en el daño de la herramienta, y en la quemadura del motor.

15. **NO utilice NUNCA una herramienta defectuosa o que funcione anormalmente.**

Si la herramienta parece que funciona anormalmente, produciendo ruidos extraños, etc., deje inmediatamente de utilizarla y solicite su arreglo a un centro de servicio autorizado por metabo HPT.

16. **NO deje NUNCA la herramienta en funcionamiento desatendida. Desconecte su alimentación.**

No deje sola la herramientas hasta mientras no se haya parado completamente.

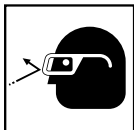
17. **Maneje con cuidado las herramientas eléctricas.**

Si una herramienta eléctrica se ha caído o ha chocado inadvertidamente contra materiales duros, es posible que se haya deformado, rajado, o dañado.

18. **No limpie las partes de plástico con disolvente.** Los disolventes, como gasolina, diluidor de pintura, bencina, tetracloruro de carbono, y alcohol pueden dañar o rajar las partes de plástico. No las limpie con tales disolventes.


Limpie las partes de plástico con un paño suave ligeramente humedecido en agua jabonosa y después séquelas bien.

19. **NUNCA** utilice una rueda de disco abombada que esté agrietada, deformada o gastada (consulte la sección MANTENIMIENTO E INSPECCIÓN en la página 36).
20. **NUNCA** utilice la amoladora en lugares en los que las chispas generadas por la misma puedan causar una explosión, como cerca de materiales o gases inflamables.
21. **NUNCA** presione el botón pulsador mientras el eje esté girando.
22. **SIEMPRE** utilice protección para los ojos que satisfaga los requisitos de la última versión de la norma Z87.1 de ANSI.

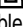


23. **SIEMPRE** utilice una mascarilla para protegerse contra el polvo o las partículas potencialmente dañinos generados durante la operación de la amoladora.
24. **SIEMPRE** sujete firmemente la empuñadura del cuerpo y la empuñadura lateral cuando utilice la amoladora.
25. **SIEMPRE** realice una operación de prueba antes de utilizar la amoladora. (Véase "Pruebe la amoladora antes de utilizarla" en la página 34).
26. **SIEMPRE** siga las instrucciones indicadas en este manual cuando reemplace la rueda de disco abombado.
27. Tenga cuidado **SIEMPRE** con los objetos que puedan estar enterrados o emparedados, tales como cables eléctricos. Si tocase un cable activo con esta herramienta, podría recibir una descarga eléctrica. Confirme que no haya ningún objeto enterrado o emparedado, como cables eléctricos, en el suelo, el techo, o en las paredes en los que vaya a trabajar.

28. Definiciones para las magnitudes utilizadas en esta herramienta

V	tensión eléctrica
~	Corriente alterna
Hz	hertzios
A	amperios
n	velocidad nominal
W	vatios
	Construcción de clase II
---/min	revoluciones por minuto
ø	diámetro de la rueda

AISLAMIENTO DOBLE PARA OFRECER UNA OPERACIÓN MÁS SEGURA

Para garantizar una operación más segura de esta herramienta eléctrica, metabo HPT ha adoptado un diseño de aislamiento doble. "Aislamiento doble" significa que se han utilizado dos sistemas de aislamiento físicamente separados para aislar los materiales eléctricamente conductores conectados a la fuente de alimentación del bastidor exterior manejado por el operador. Por lo tanto, en la herramienta eléctrica o en su placa de características aparecen el símbolo "" o las palabras "Double insulation" (aislamiento doble).

Aunque este sistema no posee puesta a tierra externa, usted deberá seguir las precauciones sobre seguridad eléctrica ofrecidas en este Manual de instrucciones, incluyendo la no utilización de la herramienta eléctrica en ambientes húmedos.

Para mantener efectivo el sistema de aislamiento doble, tenga en cuenta las precauciones siguientes:

- Esta herramienta eléctrica solamente deberá desensamblar y ensamblarla un CENTRO DE SERVICIO AUTORIZADO POR metabo HPT, y solamente deberán utilizarse con ella piezas de reemplazo genuinas de metabo HPT.
- Limpie el exterior de la herramienta eléctrica solamente con un paño suave humedecido en agua jabonosa, y después séquela bien. No utilice disolventes, gasolina, ni diluidor de pintura para limpiar las partes de plástico, ya que podría disolverlas.

**¡GUARDE ESTAS INSTRUCCIONES
Y
PÓNGALAS A DISPOSICIÓN DE OTROS USUARIOS
Y
PROPIETARIOS DE ESTA HERRAMIENTA!**

DESCRIPCIÓN FUNCIONAL

NOTA

La información contenida en este Manual de instrucciones ha sido diseñada para ayudarle a utilizar con seguridad y mantener esta herramienta eléctrica.

NUNCA haga funcionar ni efectúe el mantenimiento de la herramienta antes de leer y comprender todas las instrucciones de seguridad contenidas en este manual.

Algunas ilustraciones de este Manual de Instrucciones pueden mostrar detalles o accesorios diferentes a los de la propia herramienta eléctrica.

NOMENCLATURA

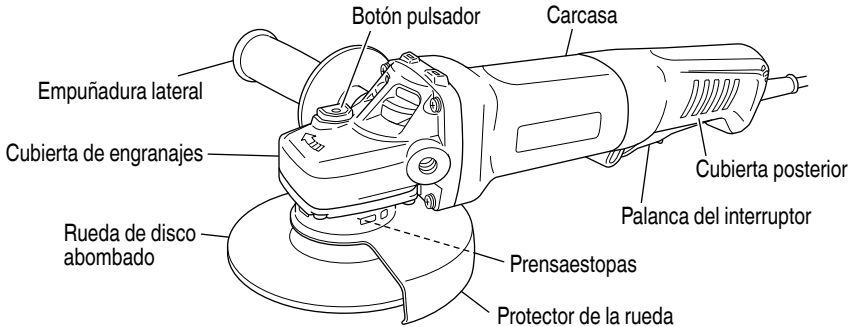


Fig. 1

ESPECIFICACIONES

Modelo	G12SE3	G13SE3
Motor	Motor conmutador en serie monofásico	
Fuente de alimentación	Monofásica 120 V c.a., 60 Hz / 120 V c.c.	
Corriente	10.6 A	
Velocidad nominal	11 500/min	
Tamaño de la rueda:		
diámetro externo	4-1/2" (115 mm)	5" (125 mm)
grosor	1/4" (6 mm)	1/4" (6 mm)
diámetro del orificio	7/8" (22.23 mm)	7/8" (22.23 mm)
Peso	5.5 lbs (2.5 kg)	

MONTAJE Y OPERACIÓN

APLICACIONES

- Eliminación de rebabas de piezas fundidas y acabado de varios tipos de materiales y piezas fundidas de acero, bronce, y aluminio.
- Amoladura de secciones soldadas o de secciones cortadas con un soplete oxiacetilénico.

⚠ ADVERTENCIA

Para evitar el riesgo de lesiones de gravedad, no utilice NUNCA esta amoladora con muelas de cubeta y/u hojas de sierra.

ANTES DE LA OPERACIÓN

1. Fuente de alimentación
Cerciórese de que la fuente de alimentación que vaya a utilizar cumpla los requisitos indicados en la placa de características del producto.
2. Interruptor de alimentación
Cerciórese de que el interruptor de alimentación esté en la posición OFF. Si enchufase el cable de alimentación en un tomacorriente de la red con el interruptor en ON, la herramienta eléctrica comenzaría a funcionar inmediatamente, lo que podría provocar lesiones serias.
3. Cable prolongador
Cuando el área de trabajo esté alejada de la fuente de alimentación, utilice un cable prolongador de suficiente grosor y con la capacidad nominal. El cable prolongador deberá mantenerse lo más corto posible.



⚠ ADVERTENCIA

Si un cable está dañado deberá reemplazar o repararse.

4. Comprobación del tomacorriente
Si el enchufe del cable de alimentación queda flojo en el tomacorriente, habrá que reparar éste. Póngase en contacto con un electricista cualificado para que realice las reparaciones adecuadas. Si utilizase un tomacorriente en este estado, podría producirse recalentamiento, lo que supondría un riesgo serio.
5. Comprobación del entorno de trabajo
Antes de la operación, compruebe lo siguiente:
 - No hay gases, líquidos ni objetos inflamables en el sitio de trabajo.
 - La amoladura de una plancha de acero delgada puede producir ruidos retumbantes. Para evitar tales ruidos, coloque una esterilla de goma debajo de la pieza de trabajo.

- No permita que en el área de trabajo haya niños ni personal no autorizado.
6. Montaje del protector de la rueda
Cerciórese de montar el protector de la rueda con un ángulo que proteja el cuerpo del operador contra lesiones debidas a un trozo de rueda roto.
[Instalación del protector de la rueda]
 - Abra y sostenga la palanca para instalar el protector de la rueda de modo que la proyección del protector quede alineado con el rebaje del prensaestopos.
 - Gire el protector de la rueda a un ángulo adecuado para su uso y luego suelte el dedo de la palanca.
 - Gire el protector de la rueda hacia la izquierda o hacia la derecha hasta que encaje en su lugar.

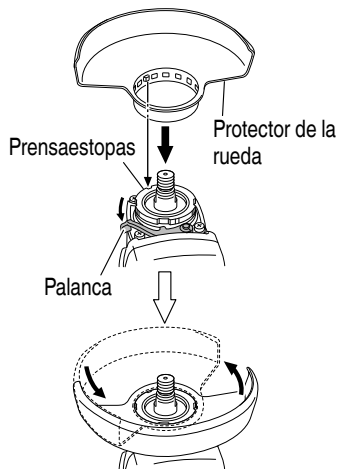


Fig. 2

⚠ ADVERTENCIA

Si el protector de la rueda no está colocado correctamente, la rueda se podría romper y ocasionar la muerte o lesiones de gravedad.

7. Antes de montar la rueda de disco abombado, inspeccione atentamente para comprobar que se encuentre libre de grietas, hendiduras y otras anomalías. Asegúrese de que haya quedado firmemente fijada y que esté correctamente instalada. En cuanto a las instrucciones sobre el armado y desarmado de la rueda de disco abombado, consulte la página 35 de este manual.

8. Pruebe la amoladora antes de utilizarla. Antes de comenzar el trabajo de amoladura, pruebe la amoladora después de haber despejado el área de personal. Cerciórese de que el protector de la rueda esté instalado, y utilice protección para sus ojos. Conecte la alimentación de la amoladora y compruebe si gira suavemente y no muestra anomalías. La duración del funcionamiento de prueba es el siguiente:
- Cuando haya reemplazado la rueda de disco abombado3 minutos o más
 - Cuando comience diariamente el trabajo 1 minuto o más
9. Utilice ruedas de disco abombado de la capacidad apropiada. Utilice únicamente ruedas de disco abombado con una capacidad nominal de **13 300/min o más para G12SE3 y de 12 000/min o más para G13SE3**. La utilización de una rueda de disco abombado de menor capacidad podría conducir a su desintegración durante la operación y a lesiones serias.
10. Compruebe el botón pulsador. Cerciórese de que el botón pulsador esté desenganchado presionándolo dos o tres veces antes de conectar la alimentación de la amoladora. (Fig. 5)

OPERACIÓN DE LA AMOLADORA ANGULAR

1. Sujete firmemente la amoladora por su carcasa y la empuñadura lateral (Fig. 1). La amoladora producirá una contrafuerza que habrá que controlar sujetándola firmemente.
2. Operación del interruptor
 - [Cuando del interruptor posea mecanismo de bloqueo]
 - ON: Para poner la máquina en funcionamiento, deslice la palanca de bloqueo OFF y después la palanca de sujeción en el sentido de ⓑ como se muestra en la Fig.3-a. Además, deslice la palanca de bloqueo ON en el sentido de ⓒ como se muestra en la Fig.3-b manteniendo presionada la palanca de sujeción para permitir la operación continua.
 - OFF: Para desactivar el modo de bloqueo, presione la palanca de sujeción en el sentido de ⓑ, como se indica en la Fig.3-a, y suéltela a fin de parar la máquina.

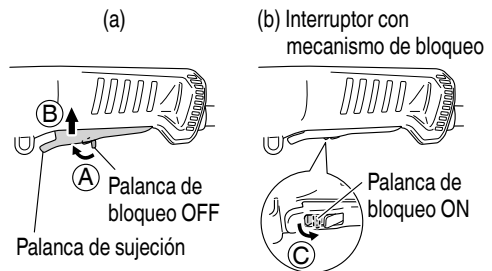


Fig. 3

[Cuando el interruptor no posea mecanismo de bloqueo]

Para poner la máquina en funcionamiento, deslice la palanca de bloqueo en el sentido de Ⓐ y presione la palanca de sujeción en el sentido de ⓑ como se indica en la Fig. 3-a. Para parar la máquina, suelte la palanca de sujeción.

NOTA: La palanca de sujeción no puede bloquearse.

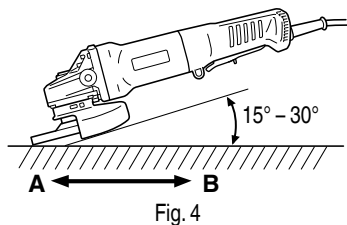
3. Presione con poca fuerza la amoladora. No es necesario presionar con fuerza para amolar. Normalmente el propio peso de la amoladora será suficiente para permitir el contacto ligero con la superficie requerido para amolar.

⚠ ADVERTENCIA
No presione a la fuerza la amoladora contra la superficie que desee amolar. la presión excesiva podría resultar en rotura de la rueda y en lesiones serias. También podría dañar la superficie que esté amolando o el motor de la amoladora.

4. Utilice el ángulo de amoladura apropiado. Realice la operación de amoladura con el borde de la rueda levantando la amoladora de 15 a 30°, como se muestra en la Fig. 4.

⚠ PRECAUCIÓN
No utilice toda la superficie de la rueda de disco abombado. Use solamente el borde de dicha rueda.

5. Mueva la amoladora en el sentido apropiado. Cuando utilice una rueda de disco abombado nueva en el sentido A (Fig. 4), el borde de la rueda puede cortar la pieza de trabajo. En este caso, realice la operación de amoladura en el sentido B (Fig. 4). Cuando se haya gastado el borde de la rueda, la pieza de trabajo podrá amolarse en ambos sentidos.



NOTA

La rueda suministrada (rueda resinoide) tiene grano de clase A y tamaño de grano #36. Es la más adecuada para amoladura intensa de acero y otros tipos de materiales.

6. Ajuste la operación de acuerdo con el acabado deseado. Para realizar un acabado preciso, reduzca la presión levantando ligeramente la amoladora. Realice la operación de amoladura lentamente y con la velocidad apropiada.

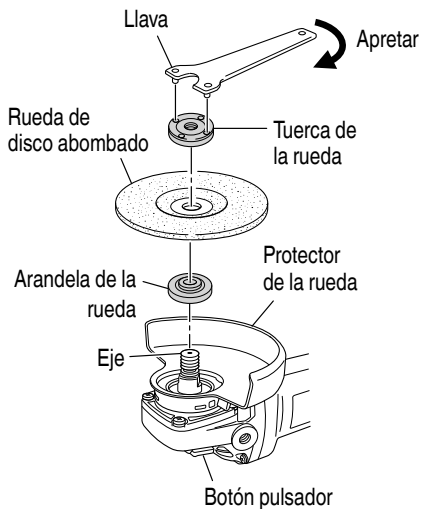
⚠ PRECAUCIÓN
El giro de la rueda de disco abombado creará turbulencia de aire. No coloque la amoladora en áreas de polvo o suciedad hasta que se haya parado completamente.

MONTAJE Y DESMONTAJE DE LA RUEDA DE DISCO ABOMBADO

⚠ ADVERTENCIA

No intente nunca armar o desarmar la rueda de disco abombado a menos que el interruptor de alimentación esté en la posición "OFF", y que el cable de alimentación esté desenchufado del tomacorriente.

- Armado
 - (1) Dé la vuelta a la amoladora de forma que el eje quede encarado hacia arriba.
 - (2) Alinee la muesca ovalada de la arandela de la rueda con la muesca del eje, y después fíjelas.
 - (3) Fije la parte saliente de la rueda de disco abombado en la arandela de la rueda.
 - (4) Atornille la rueda en el eje.
 - (5) Presionando el botón pulsador con una mano, bloquee el eje girando lentamente la rueda de disco abombado con la otra mano. Apriete la tuerca de la rueda utilizando la llave suministrada como se muestra en la Fig. 5.



⚠ PRECAUCIÓN
Apriete con seguridad la tuerca de la rueda y confirme que no se bambolee.

- Desarmado
Para desmontar la rueda de disco abombado, invierta simplemente el procedimiento indicado arriba.

MANTENIMIENTO E INSPECCIÓN

⚠ ADVERTENCIA

- Antes de realizar el mantenimiento o la inspección de la amoladora, cerciéndose de desconectar la alimentación y de desenchufar el cable de alimentación del tomacorriente.
- El uso de ruedas agrietadas, deformadas o dañadas puede ocasionar la rotura de la rueda y lesiones de gravedad.

1. Reemplazo de la rueda de disco abombado
Reemplace la rueda de disco abombado cuando se haya desgastado hasta aproximadamente 2-3/8" (60 mm) de diámetro externo. Confirme que no haya rajadas ni daños en la rueda de disco abombado. Si existe una raja o deformación en la rueda de disco abombado, reemplácela inmediatamente.
2. Inspección de los tornillos
Inspeccione regularmente todos los tornillos y asegúrese de que estén completamente apretados. Si hay algún tornillo flojo, apriételo inmediatamente.

⚠ ADVERTENCIA

La utilización de esta amoladora con tornillos flojos es extremadamente peligroso.

3. Confirme que no haya ningún daño en el protector de la rueda, el cable de alimentación, la carcasa, etc. Verifique que el interruptor de conexión/desconexión funcione de la manera normal.
4. Inspección de las escobillas
Por motivos de seguridad contra descargas eléctricas, la inspección y el reemplazo de las escobillas deberán realizarse SOLAMENTE en un CENTRO DE SERVICIO AUTORIZADO POR metabo HPT.
5. Reemplazo del cable de alimentación
Si el cable de alimentación de la herramienta está dañado, envíe la herramienta al Centro de Servicio Autorizado de metabo HPT para que le cambien el cable de alimentación.
6. Mantenimiento y reparación
Todas las herramientas eléctricas de calidad requieren de vez en cuando el servicio de mantenimiento o el reemplazo de piezas debido al desgaste producido durante la utilización normal. Para asegurarse de que solamente se utilicen piezas de reemplazo autorizadas, todos los servicios de mantenimiento y reparación deberán realizarse SOLAMENTE EN UN CENTRO DE SERVICIO AUTORIZADO POR metabo HPT.

7. Mantenimiento de motor

⚠ ADVERTENCIA

Siempre use lentes de protección y respiradores antipolvo al aplicar aire desde el orificio de aire de la cubierta trasera con una pistola de aire, etc.

De lo contrario, esto podría hacer que el polvo expulsado sea inhalado o entre en los ojos.

La bobina en el motor es una pieza importante de la unidad. Corrobore que no esté dañada o expuesta a aceite o agua.

NOTA

Cuando haya terminado el trabajo, aplique aire sin humedad desde el orificio de aire de la cubierta trasera con una pistola de aire, etcétera, usando el motor sin ninguna carga. Esto es eficaz para eliminar cualquier suciedad o polvo que se haya acumulado. La suciedad y el polvo acumulados dentro del motor pueden provocar fallas.

MODIFICACIONES

metabo HPT Power Tools introduce constantemente mejoras y modificaciones para incorporar los últimos avances tecnológicos.

Por consiguiente, algunas partes pueden ser modificadas sin previo aviso.

ACCESORIOS

⚠ ADVERTENCIA

No utilice nunca ningún accesorio distinto de los mencionados más abajo.

La utilización de cualquier otro accesorio distinto de los mencionados más abajo o no previstos para el uso, como una rueda de copa, una rueda de corte o una hoja de sierra, podría resultar peligroso y causar lesiones o daños materiales.

NOTA

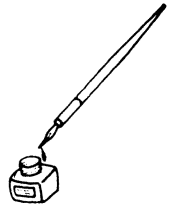
Los accesorios están sujetos a cambio sin ninguna obligación por parte de metabo HPT.

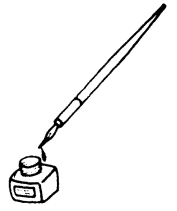
ACCESORIOS ESTÁNDAR

- Rueda de disco abombado 1
4-1/2" (115 mm) de dia. externo × 1/4" (6 mm) de
grosor × 7/8" (22.23 mm) de diá. de orificio
(Núm. de código 316821) G12SE3
- 5" (125 mm) de dia. externo × 1/4" (6 mm) de
grosor × 7/8" (22.23 mm) de diá. de orificio
(Núm. de código 316822) G13SE3
- Llave (Núm. de código 938332Z) 1
- Empuñadura lateral (Núm. de código 994322) 1

NOTA

Las especificaciones están sujetas a cambio sin ninguna obligación por parte de metabo HPT.





WARNING:

Some dust created by power sanding, sawing, grinding, drilling, and other construction activities contains chemicals known to the State of California to cause cancer, birth defects or other reproductive harm. Some examples of these chemicals are:

- Lead from lead-based paints,
- Crystalline silica from bricks and cement and other masonry products, and
- Arsenic and chromium from chemically-treated lumber.

Your risk from these exposures varies, depending on how often you do this type of work. To reduce your exposure to these chemicals: work in a well ventilated area, and work with approved safety equipment, such as those dust masks that are specially designed to filter out microscopic particles.

AVERTISSEMENT:

La poussière résultant d'un ponçage, d'un sciage, d'un meulage, d'un perçage ou de toute autre activité de construction renferme des produits chimiques qui sont connus par l'Etat de Californie pour causer des cancers, des défauts de naissance et autres anomalies de reproduction. Nous énumérons ci-dessus certains de ces produits chimiques:

- Plomb des peintres à base de plomb,
- Silice cristalline des briques et du ciment et autres matériaux de maçonnerie, et
- Arsenic et chrome du bois d'oeuvre traité chimiquement.

Le risque d'exposition à ces substances varie en fonction de la fréquence d'exécution de ce genre de travail. Pour réduire l'exposition à ces produits chimiques, travailler dans un lieu bien ventilé, et porter un équipement de protection agréé, par exemple un masque anti-poussière spécialement conçu pour filter les particules microscopiques.

ADVERTENCIA:

Algunos polvos creados por el lijado mecánico, el aserrado, el esmerilado, el taladrado y otras actividades de construcción contienen sustancias químicas conocidas por le Estado de California como agentes cancerígenos, defectos congénitos y otros daños reproductores. Algunos ejemplos de estas sustancias químicas son:

- El plomo de las pinturas a base de plomo,
- El sílice cristalino de los ladrillos y cemento y otros productos de mampostería, y
- El arsénico y el cromo de la madera tratada químicamente.

El riesgo resultante de la exposición varía según la frecuencia con que se realiza este tipo de trabajo. Para reducir la exposición a esta sustancias químicas: trabaje en un lugar bien ventilado y realice el trabajo utilizando el equipamiento apropiado, tal como las máscaras para el polvo especialmente diseñados para eliminar las partículas minúsculas.

Issued by

Koki Holdings Co., Ltd.

Shinagawa Intercity Tower A, 15-1, Konan 2-chome,
Minato-ku, Tokyo 108-6020, Japan

Distributed by

Koki Holdings America Ltd.

1111 Broadway Ave,
Braselton, Georgia, 30517

Koki Holdings America Ltd. Canadian Branch

3405 American Drive, Units 9-10,
Mississauga, ON, L4V 1T6

005

Code No. C99736862 F
Printed in China