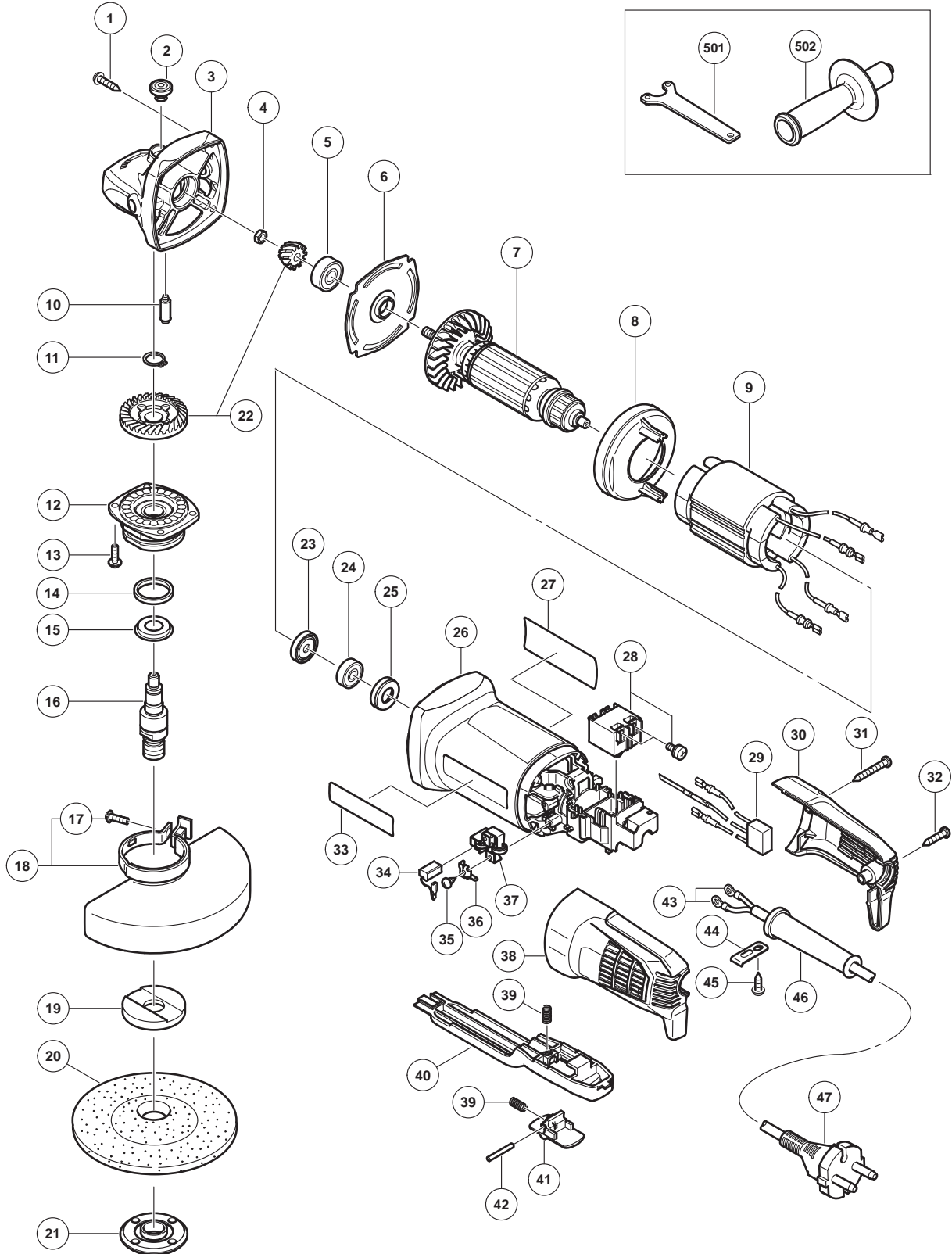


ELECTRIC TOOL PARTS LIST

DISC GRINDER Model G 12SQ2

2018. 4 .19
(E1)



PARTS

G 12SQ2

ITEM NO.	CODE NO.	DESCRIPTION	NO. USED	REMARKS
1	328643	TAPPING SCREW (W/FLANGE) D4 X 23 (BLACK)	4	
2	301944	PUSHING BUTTON	1	
3	338332	GEAR COVER ASS'Y	1	INCLUD.2,10
4	309191	SPECIAL NUT M6	1	
5	338337	BALL BEARING 608SS	1	
6	338850	BEARING HOLDER	1	
* 7	361082B	ARMATURE 110V	1	
* 7	361082U	ARMATURE ASS'Y 120V	1	INCLUD.5,23,24
* 7	361082D	ARMATURE 127V	1	
* 7	361082E	ARMATURE 220V	1	
* 7	361082F	ARMATURE 230V	1	
8	338853	FAN GUIDE	1	
* 9	340997B	STATOR 110V-120V	1	
* 9	340997C	STATOR 127V	1	
* 9	340997D	STATOR 220V	1	
* 9	340997E	STATOR 230V-240V	1	
10	301943	LOCK PIN	1	
11	316487	RETAINING RING FOR D11 SHAFT	1	
12	338849	PACKING GLAND	1	
13	328628	SEAL LOCK SCREW (W/WASHER) M4 X 12	4	
14	373384	FELT PACKING	1	
15	373383	FRINGER	1	
* 16	373292	SPINDLE	1	
* 16	373293	SPINDLE	1	FOR USA,CAN,MEX
17	308386	MACHINE SCREW (W/SP. WASHER) M5 X 16 (BLACK)	1	
18	338848	WHEEL GUARD ASS'Y	1	INCLUD.17
* 19	937817Z	WHEEL WASHER	1	
* 19	319373	WHEEL WASHER	1	FOR USA,CAN,MEX
20	316821	D. C. WHEELS 115MM A36Q (25 PCS.)	1	
* 21	339579	WHEEL NUT M14	1	
* 21	937923P	WHEEL NUT 5/8"-11UNC	1	FOR USA,CAN,MEX
22	339265	GEAR AND PINION SET	1	
23	321722	DUST SEAL	1	
24	339145	BALL BEARING 626ZZ	1	
25	309929	RUBBER BUSHING	1	
26	373167	HOUSING	1	
27		NAME PLATE	1	
28	339149	PUSHING BUTTON SWITCH	1	
* 29	373291	NOISE SUPPRESSOR	1	FOR SAF,ESP,UAE (230V)
30	373169	TAIL COVER (B)	1	
31	305490	TAPPING SCREW (W/FLANGE) D4 X 30 (BLACK)	1	
32	301653	TAPPING SCREW (W/FLANGE) D4 X 20 (BLACK)	1	
33		BRAND LABEL	1	
34	999067	CARBON BRUSH 6.5 X 7.5 X 14 (1 PAIR)	2	
35	328210	TAPPING SCREW D3 X 8	4	
36	339185	TAB TERMINAL	2	
37	333844	BRUSH HOLDER	2	
38	373168	TAIL COVER (A)	1	
39	373175	SPRING	2	
40	373170	SWITCH LEVER	1	

PARTS

ITEM NO.	CODE NO.	DESCRIPTION	NO. USED	REMARKS	
41	373171	OFF LOCK LEVER	1		
42	373173	NEEDLE PIN	1		
43	980063	TERMINAL	2		
*	44	338334	CORD CLIP	1	
*	44	338333	CORD CLIP	1	FOR UAE (110V)
	45	305720 TAPPING SCREW (W/FLANGE) D4 X 12	1		
*	46	953327	CORD ARMOR D8.8	1	
*	46	938051	CORD ARMOR D10.1	1	
*	47	500247Z	CORD	1	(CORD ARMOR D8.8)
*	47	500240Z	CORD	1	(CORD ARMOR D8.8) FOR USA,CAN,MEX
*	47	500409Z	CORD	1	(CORD ARMOR D8.8) FOR SAF,PAN (220V)
*	47	500436Z	CORD	1	(CORD ARMOR D8.8) FOR SIN,UAE (230V)
*	47	500201Z	CORD	1	(CORD ARMOR D10.1) FOR UAE (110V)

STANDARD ACCESSORIES

G 12SQ2

ITEM NO.	CODE NO.	DESCRIPTION	NO. USED	REMARKS
501	938332Z	WRENCH	1	
502	318312	SIDE HANDLE	1	

OPTIONAL ACCESSORIES

ITEM NO.	CODE NO.	DESCRIPTION	NO. USED	REMARKS
601	314095	SANDING DISCS 115MM C-P16 (10 PCS.)	1	
602	314096	SANDING DISCS 115MM C-P20 (10 PCS.)	1	
603	314097	SANDING DISCS 115MM C-P24 (10 PCS.)	1	
604	314098	SANDING DISCS 115MM C-P30 (10 PCS.)	1	
605	314099	SANDING DISCS 115MM C-P36 (10 PCS.)	1	
606	314100	SANDING DISCS 115MM C-P40 (10 PCS.)	1	
607	314101	SANDING DISCS 115MM C-P50 (10 PCS.)	1	
608	314102	SANDING DISCS 115MM C-P60 (10 PCS.)	1	
609	314103	SANDING DISCS 115MM C-P80 (10 PCS.)	1	
610	314104	SANDING DISCS 115MM C-P100 (10 PCS.)	1	
611	314105	SANDING DISCS 115MM C-P120 (10 PCS.)	1	
*	612 937826Z	WASHER NUT	1	
*	612 938318	WASHER NUT	1	FOR USA,CAN,MEX
*	613 937825Z	RUBBER PAD	1	
*	613 938317	RUBBER PAD	1	FOR USA,CAN,MEX
*	614 332785	WHEEL GUARD (FOR CUTTING)	1	EXCEPT FOR USA,CAN,MEX