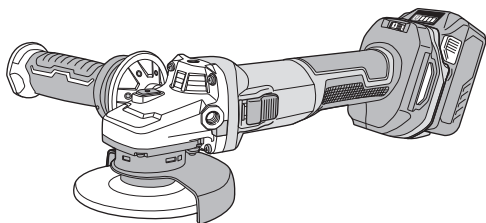
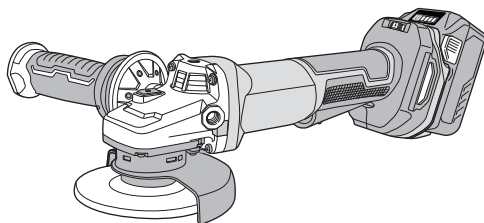


Model **G 3612DVE • G 3612DVF**  
Modèle  
Modelo **G 3615DVF**

**Cordless Disc Grinder**  
**Meuleuse sans fil**  
**Amoladora angular inalámbrica**



G3612DVE



G3612DVF

## SAFETY INSTRUCTIONS AND INSTRUCTION MANUAL

### **⚠ WARNING**

**IMPROPER OR UNSAFE** use of this power tool can result in death or serious bodily injury!  
This manual contains important information about product safety. Please read and understand this manual **BEFORE** operating the power tool. Please keep this manual available for other users and owners before they use the power tool.  
This manual should be stored in safe place.

## INSTRUCTIONS DE SECURITE ET MODE D'EMPLOI

### **⚠ AVERTISSEMENT**

Une utilisation **INCORRECTE OU DANGEREUSE** de cet outil motorisé peut entraîner la mort ou de sérieuses blessures corporelles!  
Ce mode d'emploi contient d'importantes informations à propos de la sécurité de ce produit. Prière de lire et de comprendre ce mode d'emploi **AVANT** d'utiliser l'outil motorisé. Garder ce mode d'emploi à la disponibilité des autres utilisateurs et propriétaires avant qu'ils utilisent l'outil motorisé. Ce mode d'emploi doit être conservé dans un endroit sûr.

## INSTRUCCIONES DE SEGURIDAD Y MANUAL DE INSTRUCCIONES

### **⚠ ADVERTENCIA**

¡La utilización **INAPROPIADA O PELIGROSA** de esta herramienta eléctrica puede resultar en lesiones de gravedad o la muerte!  
Este manual contiene información importante sobre la seguridad del producto. Lea y comprenda este manual **ANTES** de utilizar la herramienta eléctrica. Guarde este manual para que puedan leerlo otras personas antes de utilizar la herramienta eléctrica. Este manual debe ser guardado en un lugar seguro.

---

## IMPORTANT SAFETY INSTRUCTIONS

---

Read and understand all of the safety precautions, warnings and operating instructions in the Instruction Manual before operating or maintaining this power tool.

Most accidents that result from power tool operation and maintenance are caused by the failure to observe basic safety rules or precautions. An accident can often be avoided by recognizing a potentially hazardous situation before it occurs, and by observing appropriate safety procedures.

Basic safety precautions are outlined in the "SAFETY" section of this Instruction Manual and in the sections which contain the operation and maintenance instructions.

Hazards that must be avoided to prevent bodily injury or machine damage are identified by WARNINGS on the power tool and in this Instruction Manual.

**NEVER** use this power tool in a manner that has not been specifically recommended by metabo HPT.

---

## MEANINGS OF SIGNAL WORDS

---

**WARNING** indicates a potentially hazardous situations which, if ignored, could result in death or serious injury.

**CAUTION** indicates a potentially hazardous situations which, if not avoided, may result in minor or moderate injury, or may cause machine damage.

**NOTE** emphasizes essential information.

# SAFETY

---

## GENERAL POWER TOOL SAFETY WARNINGS

---

### WARNING

**Read all safety warnings and all instructions.**

Failure to follow the warnings and instructions may result in electric shock, fire and/or serious injury.

**Save all warnings and instructions for future reference.**

The term "power tool" in the warnings refers to your mains-operated (corded) power tool or battery-operated (cordless) power tool.

- 1) **Work area safety**
  - a) **Keep work area clean and well lit.**  
Cluttered or dark areas invite accidents.
  - b) **Do not operate power tools in explosive atmospheres, such as in the presence of flammable liquids, gases or dust.**  
Power tools create sparks which may ignite the dust or fumes.
  - c) **Keep children and bystanders away while operating a power tool.**  
Distractions can cause you to lose control.
- 2) **Electrical safety**
  - a) **Power tool plugs must match the outlet. Never modify the plug in any way. Do not use any adapter plugs with earthed (grounded) power tools.**  
Unmodified plugs and matching outlets will reduce risk of electric shock.
  - b) **Avoid body contact with earthed or grounded surfaces such as pipes, radiators, ranges and refrigerators.**  
There is an increased risk of electric shock if your body is earthed or grounded.
  - c) **Do not expose power tools to rain or wet conditions.**  
Water entering a power tool will increase the risk of electric shock.
  - d) **Do not abuse the cord. Never use the cord for carrying, pulling or unplugging the power tool. Keep cord away from heat, oil, sharp edges or moving parts.**  
Damaged or entangled cords increase the risk of electric shock.
  - e) **When operating a power tool outdoors, use an extension cord suitable for outdoor use.**  
Use of a cord suitable for outdoor use reduces the risk of electric shock.
  - f) **If operating a power tool in a damp location is unavoidable, use a residual current device (RCD) protected supply.**  
Use of an RCD reduces the risk of electric shock.
- 3) **Personal safety**
  - a) **Stay alert, watch what you are doing and use common sense when operating a power tool.**

**Do not use a power tool while you are tired or under the influence of drugs, alcohol or medication.**

A moment of inattention while operating power tools may result in serious personal injury.

- b) **Use personal protective equipment. Always wear eye protection.**  
Protective equipment such as dust mask, non-skid safety shoes, hard hat, or hearing protection used for appropriate conditions will reduce personal injuries.
  - c) **Prevent unintentional starting. Ensure the switch is in the off-position before connecting to power source and/or battery pack, picking up or carrying the tool.**  
Carrying power tools with your finger on the switch or energising power tools that have the switch on invites accidents.
  - d) **Remove any adjusting key or wrench before turning the power tool on.**  
A wrench or a key left attached to a rotating part of the power tool may result in personal injury.
  - e) **Do not overreach. Keep proper footing and balance at all times.**  
This enables better control of the power tool in unexpected situations.
  - f) **Dress properly. Do not wear loose clothing or jewellery. Keep your hair, clothing and gloves away from moving parts.**  
Loose clothes, jewellery or long hair can be caught in moving parts.
  - g) **If devices are provided for the connection of dust extraction and collection facilities, ensure these are connected and properly used.**  
Use of dust collection can reduce dust-related hazards.
- 4) **Power tool use and care**
    - a) **Do not force the power tool. Use the correct power tool for your application.**  
The correct power tool will do the job better and safer at the rate for which it was designed.
    - b) **Do not use the power tool if the switch does not turn it on and off.**  
Any power tool that cannot be controlled with the switch is dangerous and must be repaired.
    - c) **Disconnect the plug from the power source and/or the battery pack from the power tool before making any adjustments, changing accessories, or storing power tools.**  
Such preventive safety measures reduce the risk of starting the power tool accidentally.
    - d) **Store idle power tools out of the reach of children and do not allow persons unfamiliar with the power tool or these instructions to operate the power tool.**  
Power tools are dangerous in the hands of untrained users.
  - e) **Maintain power tools. Check for misalignment or binding of moving parts, breakage of parts and any other condition that may affect the power tool's operation.**  
**If damaged, have the power tool repaired before use.**  
Many accidents are caused by poorly maintained power tools.
  - f) **Keep cutting tools sharp and clean.**  
Properly maintained cutting tools with sharp cutting edges are less likely to bind and are easier to control.
  - g) **Use the power tool, accessories and tool bits etc. in accordance with these instructions, taking into account the working conditions and the work to be performed.**  
Use of the power tool for operations different from those intended could result in a hazardous situation.
- 5) **Battery tool use and care**
    - a) **Recharge only with the charger specified by the manufacturer.**  
A charger that is suitable for one type of battery pack may create a risk of fire when used with another battery pack.
    - b) **Use power tools only with specifically designated battery packs.**  
Use of any other battery packs may create a risk of injury and fire.
    - c) **When battery pack is not in use, keep it away from other metal objects, like paper clips, coins, keys, nails, screws or other small metal objects, that can make a connection from one terminal to another.**  
Shorting the battery terminals together may cause burns or a fire.
    - d) **Under abusive conditions, liquid may be ejected from the battery; avoid contact. If liquid contacts eyes, additionally seek medical help.** Liquid ejected from the battery may cause irritation or burns.
  - 6) **Service**
    - a) **Have your power tool serviced by a qualified repair person using only identical replacement parts.**  
This will ensure that the safety of the power tool is maintained.

---

## SAFETY WARNINGS FOR GRINDING OPERATIONS

---

- a) **This power tool is intended to function as a grinder. Read all safety warnings, instructions, illustrations and specifications provided with this power tool.**

Failure to follow all instructions listed below may result in electric shock, fire and/or serious injury.

- b) **Operations such as sanding, wire brushing or polishing or cutting-off are not recommended to be performed with this power tool.**

Operations for which the power tool was not designed may create a hazard and cause personal injury.

- c) **Do not use accessories which are not specifically designed and recommended by the tool manufacturer.**

Just because the accessory can be attached to your power tool, it does not assure safe operation.

- d) **The rated speed of the accessory must be at least equal to the maximum speed marked on the power tool.**

Accessories running faster than their rated speed can break and fly apart.

- e) **The outside diameter and the thickness of your accessory must be within the capacity rating of your power tool.**

Incorrectly sized accessories cannot be adequately guarded or controlled.

- f) **Threaded mounting of accessories must match the grinder spindle thread. For accessories mounted by flanges, the arbour hole of the accessory must fit the locating diameter of the flange.**

Accessories that do not match the mounting hardware of the power tool will run out of balance, vibrate excessively and may cause loss of control.

- g) **Do not use a damaged accessory. Before each use inspect the accessory such as abrasive wheels for chips and cracks. If power tool or accessory is dropped, inspect for damage or install an undamaged accessory. After inspecting and installing an accessory, position yourself and bystanders away from the plane of the rotating accessory and run the power tool at maximum no-load speed for one minute.**

Damaged accessories will normally break apart during this test time.

- h) **Wear personal protective equipment. Depending on application, use face shield, safety goggles or safety glasses. As appropriate, wear dust mask, hearing protectors, gloves and workshop apron capable of stopping small abrasive or workpiece fragments.**

The eye protection must be capable of stopping flying debris generated by various operations. The dust mask or respirator must be capable of filtering particles generated by your operation. Prolonged

exposure to high intensity noise may cause hearing loss.

- i) **Keep bystanders a safe distance away from work area. Anyone entering the work area must wear personal protective equipment.**

Fragments of workpiece or of a broken accessory may fly away and cause injury beyond immediate area of operation.

- j) **Hold the power tool by insulated gripping surfaces only, when performing an operation where the cutting tool may contact hidden wiring.**

Contact with a "live" wire will also make exposed metal parts of the power tool "live" and could give the operator an electric shock.

- k) **Position the cord clear of the spinning accessory.**

If you lose control, the cord may be cut or snagged and your hand or arm may be pulled into the spinning accessory.

- l) **Never lay the power tool down until the accessory has come to a complete stop.**

The spinning accessory may grab the surface and pull the power tool out of your control.

- m) **Do not run the power tool while carrying it at your side.**

Accidental contact with the spinning accessory could snag your clothing, pulling the accessory into your body.

- n) **Regularly clean the power tool's air vents.**

The motor's fan will draw the dust inside the housing and excessive accumulation of powdered metal may cause electrical hazards.

- o) **Do not operate the power tool near flammable materials.**

Sparks could ignite these materials.

- p) **Do not use accessories that require liquid coolants.**

Using water or other liquid coolants may result in electrocution or shock.

---

## KICKBACK AND RELATED WARNINGS

---

*Kickback is a sudden reaction to a pinched or snagged rotating wheel, backing pad, brush or any other accessory. Pinching or snagging causes rapid stalling of the rotating accessory which in turn causes the uncontrolled power tool to be forced in the direction opposite of the accessory's rotation at the point of the binding.*

*For example, if an abrasive wheel is snagged or pinched by the workpiece, the edge of the wheel that is entering into the pinch point can dig into the surface of the material causing the wheel to climb out or kick out. The wheel may either jump toward or away from the operator, depending on direction of the wheel's movement at the point of pinching. Abrasive wheels may also break under these conditions.*

*Kickback is the result of power tool misuse and/or incorrect operating procedures or conditions and can be avoided by taking proper precautions as given below.*

- a) **Maintain a firm grip on the power tool and position your body and arm to allow you to resist kickback forces. Always use auxiliary handle, if provided, for maximum control over kickback or torque reaction during start-up.**

The operator can control torque reactions or kickback forces, if proper precautions are taken.

- b) **Never place your hand near the rotating accessory. Accessory may kickback over your hand.**
- c) **Do not position your body in the area where power tool will move if kickback occurs.**

Kickback will propel the tool in direction opposite to the wheel's movement at the point of snagging.

- d) **Use special care when working corners, sharp edges etc. Avoid bouncing and snagging the accessory.**

Corners, sharp edges or bouncing have a tendency to snag the rotating accessory and cause loss of control or kickback.

- e) **Do not attach a saw chain woodcarving blade or toothed saw blade.**

Such blades create frequent kickback and loss of control.

### SAFETY WARNINGS SPECIFIC FOR GRINDING OPERATIONS

- a) **Use only wheel types that are recommended for your power tool and the specific guard designed for the selected wheel.**

Wheels for which the power tool was not designed cannot be adequately guarded and are unsafe.

- b) **The grinding surface of centre depressed wheels must be mounted below the plane of the guard lip.**

An improperly mounted wheel that projects through the plane of the guard lip cannot be adequately protected.

- c) **The guard must be securely attached to the power tool and positioned for maximum safety, so the least amount of wheel is exposed towards the operator.**

The guard helps to protect operator from broken wheel fragments, accidental contact with wheel and sparks that could ignite clothing.

- d) **Wheels must be used only for recommended applications. For example: do not grind with the side of cut-off wheel.**

Abrasive cut-off wheels are intended for peripheral grinding, side forces applied to these wheels may cause them to shatter.

- e) **Always use undamaged wheel flanges that are of correct size and shape for your selected wheel.**

Proper wheel flanges support the wheel thus reducing the possibility of wheel breakage. Flanges for cut-off wheels may be different from grinding wheel flanges.

- f) **Do not use worn down wheels from larger power tools.**

Wheel intended for larger power tool is not suitable for the higher speed of a smaller tool and may burst.

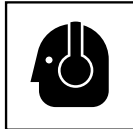
### GENERAL SAFETY INSTRUCTIONS FOR GRINDERS

- Check that speed marked on the wheel is equal to or greater than the rated speed of the grinder;
- Ensure that the wheel dimensions are compatible with the grinder;
- Abrasive wheels shall be stored and handled with care in accordance with manufacturer's instructions;
- Inspect the grinding wheel before use, do not use chipped, cracked or otherwise defective products;
- Ensure that mounted wheels and points are fitted in accordance with the manufacturer's instructions;
- Ensure that blotters are used when they are provided with the bonded abrasive product and when they are required;
- Ensure that the abrasive product is correctly mounted and tightened before use and run the tool at no-load for 30 sec. in a safe position, stop immediately if there is considerable vibration or if other defects are detected. If this condition occurs, check the machine to determine the cause;
- If a guard is equipped with the tool never use the tool without such a guard;
- Do not use separate reducing bushings or adapters to adapt large hole abrasive wheels;
- For tools intended to be fitted with threaded hole wheel, ensure that the thread in the wheel is long enough to accept the spindle length;
- Secure the workpiece and check that the workpiece is properly supported. A workpiece clamped with clamping devices or in a vice is held more securely than by hand;
- Do not use cutting off wheel for side grinding;
- Ensure that sparks resulting from use do not create a hazard e.g. do not hit persons, or ignite flammable substances;
- Ensure that ventilation openings are kept clear when working in dusty conditions, if it should become necessary to clear dust, first disconnect the tool from the mains supply (use non metallic objects) and avoid damaging internal parts;
- Always use eye and ear protection. Other personal protective equipment such as dust mask, gloves, helmet and apron should be worn;
- Pay attention to the wheel that continues to rotate after the tool is switched off.
- Do not allow foreign matter to enter the hole for connecting the rechargeable battery.
- Never disassemble the rechargeable battery and charger.
- Never short-circuit the rechargeable battery. Shortcircuiting the battery will cause a great electric current and overheat. It results in burn or damage to the battery.
- Do not dispose of the battery in fire. If the battery is burnt, it may explode.

- Do not insert object into the air ventilation slots of the charger. Inserting metal objects or inflammables into the charger air ventilation slots will result in electrical shock hazard or damaged charger.
- Bring the battery to the shop from which it was purchased as soon as the post-charging battery life becomes too short for practical use. Do not dispose of the exhausted battery.

## SPECIFIC SAFETY RULES AND SYMBOLS

1. **ALWAYS use proper guard with grinding wheel.**  
A guard protects operator from broken wheel fragments.
2. **Accessories must be rated for at least the speed recommended on the tool warning label.**  
Wheels and other accessories running over rated speed can fly apart and cause injury.
3. **Hold power tools by insulated gripping surfaces when performing an operation where the cutting tool may contact hidden wiring.**  
Contact with a "live" wire will make exposed metal parts of the tool "live" and shock the operator.
4. **ALWAYS wear ear protectors when using the tool for extended periods.**



Prolonged exposure to high intensity noise can cause hearing loss.

5. **Use only a depressed center wheel with a rated capacity which is GREATER than 13,300 /min.** Using any wheel a rated capacity LESS than 13,300 /min and/or an incorrect sized wheel (see SPECIFICATIONS at page 12) may result in wheel breakage, flying wheel fragments, and resulting in death or serious injury.
6. **NEVER touch moving parts.**

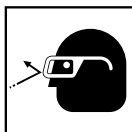


**NEVER** place your hands, fingers or other body parts near the tool's moving parts.

7. **NEVER operate without all guards in place.**  
**NEVER** operate this tool without all guards or safety features in place and in proper working order. If maintenance or servicing requires the removal of a guard or safety feature, be sure to replace the guard or safety feature before resuming operation of the tool.
8. **Use right tool.**  
Don't force small tool or attachment to do the job of a heavy-duty tool.  
Don't use tool for purpose not intended—for example— don't use circular saw for cutting tree limbs or logs.
9. **NEVER use a power tool for applications other than those specified.**

**NEVER** use a power tool for applications other than those specified in the Instruction Manual.

10. **Handle tool correctly.**  
Operate the tool according to the instructions provided herein. Do not drop or throw the tool. **NEVER** allow the tool to be operated by children, individuals unfamiliar with its operation or unauthorized personnel.
11. **Keep all screws, bolts and covers tightly in place.**  
Keep all screws, bolts, and plates tightly mounted. Check their condition periodically.
12. **Do not use power tools if the plastic housing or handle is cracked.**  
Cracks in the tool's housing or handle can lead to electric shock. Such tools should not be used until repaired.
13. **Wheels and accessories must be securely mounted to the tool.**  
Prevent potential injuries to yourself or others. Wheels and accessories which have been mounted to the tool should be secure and tight.
14. **Keep motor air vent clean.**  
The tool's motor air vent must be kept clean so that air can freely flow at all times. Check for dust build-up frequently.
15. **NEVER use a tool which is defective or operating abnormally.**  
If the tool appears to be operating unusually, making strange noises, or otherwise appears defective, stop using it immediately and arrange for repairs by a metabo HPT authorized service center.
16. **NEVER leave tool running unattended. Turn power off.**  
Don't leave tool until it comes to a complete stop.
17. **Carefully handle power tools.**  
Should a power tool be dropped or struck against hard materials inadvertently, it may be deformed, cracked, or damaged.
18. **Do not wipe plastic parts with solvent.**  
Solvents such as gasoline, thinner benzine, carbon tetrachloride, and alcohol may damage and crack plastic parts. Do not wipe them with such solvents.  
Wipe plastic parts with a soft cloth lightly dampened with soapy water and dry thoroughly.
19. **NEVER** use a depressed center wheel which is cracked or deformed or worn away (see the MAINTENANCE AND INSPECTION section on page 21).
20. **NEVER** use the grinder in places where the sparks generated by the grinder can cause explosion, such as where flammable materials or gases are present.
21. **NEVER** push in the push button while the spindle is running.
22. **ALWAYS** wear eye protection that meets the requirement of the latest revision of ANSI Standard Z87.1.



23. **ALWAYS** wear a mask or respirator to protect yourself from dust or potentially harmful particles generated during the grinding operation.
24. **ALWAYS** firmly grip the body handle and side handle while operating the grinder.
25. **ALWAYS** have a trial run before grinding commence. (see Test the grinder before using on page 17).
26. **ALWAYS** follow the instructions contained in this manual when replacing the depressed center wheel.
27. **ALWAYS** be careful with buried object such as an underground wiring.  
Touching these active wiring or electric cable with this tool, you may receive an electric shock.  
Confirm if there are any buried object such as electric cable within the wall, floor or ceiling where you are going to operate here after.
28. Be careful of brake kickback.  
This cordless disc grinder features an electric brake that functions when the switch is released. As there is some kickback when the brake functions, be sure to hold the main body securely.
29. Do not use the product if the tool or the battery terminals (battery mount) are deformed.  
Installing the battery could cause a short circuit that could result in smoke emission or ignition.
30. Keep the tool's terminals (battery mount) free of swarf and dust.
- Prior to use, make sure that swarf and dust have not collected in the area of the terminals.
  - During use, try to avoid swarf or dust on the tool from falling on the battery.
  - When suspending operation or after use, do not leave the tool in an area where it may be exposed to falling swarf or dust.  
Doing so could cause a short circuit that could result in smoke emission or ignition.
31. Definitions for symbols used on this tool
- V..... volts  
 ---..... direct current  
 Hz..... hertz  
 A..... amperes  
 n ..... rated speed  
 ---/min..... revolutions or reciprocation per minute

## IMPORTANT SAFETY INSTRUCTIONS FOR BATTERY CHARGER

### WARNING

**Death or serious bodily injury could result from improper or unsafe use of battery chargers. To avoid these risks, follow these basic safety instructions:**

### READ ALL INSTRUCTIONS

1. This manual contains important safety and operating instructions for battery charger Model UC18YSL3.
2. Before using battery charger, read all instructions and cautionary markings on (1) battery charger, (2) battery, and (3) product using battery.
3. To reduce risk of injury, charge metabo HPT rechargeable batteries. Other type of batteries may burst causing personal injury and damage.
4. Use of an attachment not recommended or sold by the battery charger manufacturer may result in a risk of fire, electric shock, or injury to persons.
5. To reduce risk of damage to electric plug and cord, pull by plug when disconnecting battery charger.
6. Make sure cord is located so that it will not be stepped on, tripped over, or otherwise subjected to damage or stress.
7. An extension cord should not be used unless absolutely necessary. Use of improper extension cord could result in a risk of fire and electric shock.  
If extension cord must be used make sure:
  - a. That blades of extension cord are the same number, size, and shape as those of plug on battery charger:
  - b. That extension cord is properly wired and in good electrical condition; and
  - c. That wire size is large enough for AC ampere rating of battery charger as specified in Table 1.

Table 1  
RECOMMENDED MINIMUM AWG SIZE FOR  
EXTENSION CORDS FOR BATTERY CHARGERS

AC Input Rating Amperes*		AWG Size of Cord			
Equal to or greater than	but less than	Length of Cord, Feet (Meter)			
		25 (7.5)	50 (15)	100 (30)	150 (45)
0	2	18	18	18	16
2	3	18	18	16	14
3	4	18	18	16	14

- \* If the input rating of a battery charger is given in watts rather than in amperes, the corresponding ampere rating is to be determined by dividing the wattage rating by the voltage rating—for example:  
$$\frac{1,250 \text{ watts}}{125 \text{ volts}} = 10 \text{ amperes}$$
- 8. Do not operate battery charger with damaged cord or plug—replace them immediately.
- 9. Do not operate battery charger if it has received a sharp blow, been dropped, or otherwise damaged in any way; take it to a qualified serviceman.
- 10. Do not disassemble battery charger; take it to a qualified serviceman when service or repair is required. Incorrect reassembly may result in a risk of electric shock or fire.
- 11. To reduce risk of electric shock, unplug charger from receptacle before attempting any maintenance or cleaning. Removing the battery will not reduce this risk.

## IMPORTANT SAFETY INSTRUCTIONS FOR USE OF THE BATTERY AND BATTERY CHARGER

You must charge the battery before you can use the power tool. Before using the model UC18YSL3 battery charger, be sure to read all instructions and cautionary statements on it, the battery and in this manual.

**⚠ CAUTION**  
**USE ONLY metabo HPT BATTERY MODELS OF THE MULTI VOLT SERIES. OTHER MODELS OF BATTERIES MAY BURST AND CAUSE INJURY!**

Follow these instructions to avoid the risk of injury:

**⚠ WARNING: Improper use of the battery or battery charger can lead to serious injury. To avoid these injuries:**

- 1. **NEVER** disassemble the battery.
- 2. **NEVER** incinerate the battery, even if it is damaged or is completely worn out. The battery can explode in a fire.
- 3. **NEVER** short-circuit the battery.
- 4. **NEVER** insert any objects into the battery charger's air vents. Electric shock or damage to the battery charger may result.
- 5. **NEVER** charge outdoors. Keep the battery away from direct sunlight and use only where there is low humidity and good ventilation.
- 6. **NEVER** charge when the temperature is below 32°F (0°C) or above 104°F (40°C).
- 7. **NEVER** connect two battery chargers together.
- 8. **NEVER** insert foreign objects into the hole for the battery or the battery charger.

- 9. **NEVER** use a booster transformer when charging.
- 10. **NEVER** use DC power to charge.
- 11. **NEVER** store the battery or battery charger in places where the temperature may reach or exceed 104°F (40°C) such as inside metal box or car.
- 12. **NEVER** expose the battery or battery charger to rain or wet conditions.
- 13. **ALWAYS** operate charger on standard household electrical power (120 volts). Using the charger on any other voltage may overheat and damage the charger.
- 14. **ALWAYS** wait at least 15 minutes between charges to avoid overheating the charger.
- 15. **ALWAYS** disconnect the power cord from its receptacle when the charger is not in use.

## CAUTION ON LITHIUM-ION BATTERY

To extend the lifetime, the lithium-ion battery equips with the protection function to stop the output. In the cases of 1 to 3 described below, when using this product, even if you are pulling the switch, the motor may stop. This is not the trouble but the result of protection function.

- 1. When the battery power remaining runs out, the motor stops.  
In such case, charge it up immediately.
- 2. If the tool is overloaded, the motor may stop. In this case, release the switch of tool and eliminate causes of overloading. After that, you can use it again.
- 3. If the battery is overheated under overload work, the battery power may stop.  
In this case, stop using the battery and let the battery cool. After that, you can use it again.

Furthermore, please heed the following warning and caution.

## ⚠ WARNING

In order to prevent any battery leakage, heat generation, smoke emission, explosion and ignition beforehand, please be sure to heed the following precautions.

- 1. Make sure that swarf and dust do not collect on the battery.
  - During work make sure that swarf and dust do not fall on the battery.
  - Make sure that any swarf and dust falling on the power tool during work do not collect on the battery.
  - Do not store an unused battery in a location exposed to swarf and dust.
  - Before storing a battery, remove any swarf and dust that may adhere to it and do not store it together with metal parts (screws, nails, etc.).
- 2. Do not pierce battery with a sharp object such as a nail, strike with a hammer, step on, throw or subject the battery to severe physical shock.
- 3. Do not use an apparently damaged or deformed battery.



4. Do not use the battery for a purpose other than those specified.
5. If the battery charging fails to complete even when a specified recharging time has elapsed, immediately stop further recharging.
6. Do not put or subject the battery to high temperatures or high pressure such as into a microwave oven, dryer, or high pressure container.
7. Keep away from fire immediately when leakage or foul odor are detected.
8. Do not use in a location where strong static electricity generates.
9. If there is battery leakage, foul odor, heat generated, discolored or deformed, or in any way appears abnormal during use, recharging or storage, immediately remove it from the equipment or battery charger, and stop use.
10. Do not immerse the battery or allow any fluids to flow inside. Conductive liquid ingress, such as water, can cause damage resulting in fire or explosion. Store your battery in a cool, dry place, away from combustible and flammable items. Corrosive gas atmospheres must be avoided.

#### ⚠ CAUTION

1. If liquid leaking from the battery gets into your eyes, do not rub your eyes and wash them well with fresh clean water such as tap water and contact a doctor immediately.  
If left untreated, the liquid may cause eye-problems.
2. If liquid leaks onto your skin or clothes, wash well with clean water such as tap water immediately.  
There is a possibility that this can cause skin irritation.
3. If you find rust, foul odor, overheating, discolor, deformation, and/or other irregularities when using the battery for the first time, do not use and return it to your supplier or vendor.

#### ⚠ WARNING

If an electrically conductive foreign object enters the terminals of the lithium ion battery, a short-circuit may occur resulting in the risk of fire. Please observe the following matters when storing the battery.

- **Do not place electrically conductive cuttings, nails, steel wire, copper wire or other wire in the storage case.**
- **Either install the battery in the power tool or store by securely pressing into the battery cover until the ventilation holes are concealed to prevent short-circuits (See Fig. 3).**

## REGARDING LITHIUM-ION BATTERY TRANSPORTATION

When transporting a lithium-ion battery, please observe the following precautions.

### ⚠ WARNING

Notify the transporting company that a package contains a lithium-ion battery, inform the company of its power output and follow the instructions of the transportation company when arranging transport.

- Lithium-ion batteries that exceed a power output of 100 Wh are considered to be in the freight classification of Dangerous Goods and will require special application procedures.
- For transportation abroad, you must comply with international law and the rules and regulations of the destination country.
- If the BSL36B18 is installed in the power tool, the power output will exceed 100 Wh and the unit will be classified as Dangerous Goods for freight classification.

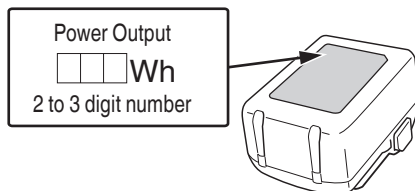


Fig. 1

## USB DEVICE CONNECTION PRECAUTIONS

When an unexpected problem occurs, the data in a USB device connected to this product may be corrupted or lost. Always make sure to back up any data contained in the USB device prior to use with this product.

Please be aware that our company accepts absolutely no responsibility for any data stored in a USB device that is corrupted or lost, nor for any damage that may occur to a connected device.

**SAVE THESE INSTRUCTIONS  
AND  
MAKE THEM AVAILABLE TO OTHER USERS  
AND  
OWNERS OF THIS TOOL!**

## FUNCTIONAL DESCRIPTION

**NOTE**  
The information contained in this Instruction Manual is designed to assist you in the safe operation and maintenance of the power tool.

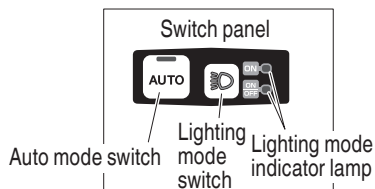
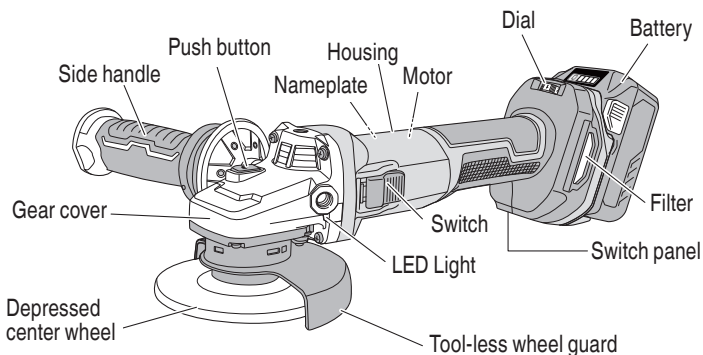
**NEVER** operate, or attempt any maintenance on the tool unless you have first read and understood all safety instructions contained in this manual.

Some illustrations in this Instruction Manual may show details or attachments that differ from those on your own power tool.

### NAME OF PARTS

1. Cordless Disc Grinder

○ G3612DVE



○ G3612DVF

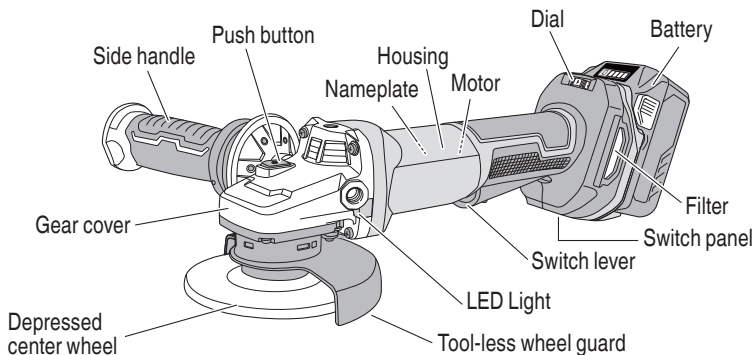


Fig. 2

2. Battery (optional accessories...sold separately)

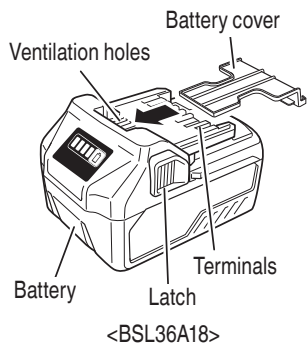


Fig. 3

3. Battery Charger (optional accessories...sold separately)

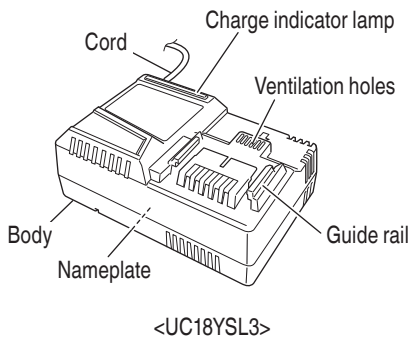


Fig. 4

**SPECIFICATIONS**

1. Cordless Disc Grinder

Model	G3612DVE	G3612DVF	G3615DVF
Motor	DC brushless motor		
Rated Speed	Transmission mode : 3,200–10,000 /min Auto mode : 5,500 /min		Transmission mode : 3,200–8,000 /min Auto mode : 5,500 /min
Wheel Size: external dia. thickness hole dia.	4-1/2" (115 mm) 1/4" (6 mm) 7/8" (22.23 mm)		6" (150 mm) 1/4" (6 mm) 7/8" (22.23 mm)
Peripheral speed	80 m/s		
Battery*	Type	Li-ion battery Model BSL36A18	
	Voltage	DC 36V / 18V (Automatic Switching**)	
Weight	6.6 lbs (3.0 kg) (BSL36A18 attached) 7.3 lbs (3.3 kg) (BSL36B18 attached)		6.8 lbs (3.1 kg) (BSL36A18 attached) 7.5 lbs (3.4 kg) (BSL36B18 attached)

\* Existing batteries (BSL3660/3620/3626, BSL18 and BSL14 series, etc.) cannot be used with this tool.

\*\* The tool itself will automatically switch over.

2. Battery Charger

Model	UC18YSL3
Input power source	Single phase: AC 120 V 60 Hz
Charging time (At a temperature of 68°F (20°C))	BSL36A18: Approx. 32 min
Charging voltage	DC 14.4 V–18 V
Charging current	DC 8.0 A
Weight	1.3 lbs. (0.6 kg)

**NOTE:** The charging time may vary according to ambient temperature and power source voltage.

**Electric control**

- Soft-start
- Kickback Protection  
The kickback protection feature cuts off the power to the motor and stops the power tool in the event of a sudden drop in the rotational speed of the wheel during operation (for example, if the wheel locks during cutting operation, etc.).
- Overload protection  
While working, if a load exceeding a certain level is applied, or if the grinding disc is stopped for a certain amount of time, the motor will be stopped to protect the tool and for safety.  
Turn off the switch once, then turn it on again to start up the tool.
- Rotation recovery control function  
While working, if the tool is pressed too forcefully against the surface and the motor stops, if you lift up the tool and lighten the load, rotation will resume.  
Depending on the grinding disc used and the working conditions, the rotation recovery control may be stopped by overload protection.

**⚠ CAUTION**  
When using ET36A, this function does not operate.

- Overheat protection  
This protection feature cuts off the power to the motor and stops the power tool in the event of overheating of motor during operation.  
When the overheat protection feature has been activated, the motor may stop.  
In this case, release the tool switch and cool it down in a few minutes.  
After that you can use it again.
  - Restart prevention function  
When the power is still switched on, the tool will not restart when a battery is installed. This function can be canceled once the tool is switched off.
  - Brake function  
Brake activates when the switch is off.
- ⚠ CAUTION**  
When using ET36A, this function does not operate.
- Drop shut off function <G3612DVE>  
When the drop shut off function has been activated, the motor may stop.  
In this case, release the tool switch.  
After that you can use it again.

## ASSEMBLY AND OPERATION

### APPLICATIONS

- Removal of casting fin and finishing of various type of steel, bronze and aluminum materials and castings.
- Grinding of welded sections or sections cut by means of an acetylene torch.
- Grinding of synthetic resins, slate, brick, marble.

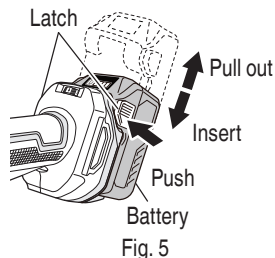
**⚠ WARNING**  
To avoid the risk of serious injury, NEVER use this grinder with cup wheels and/or saw blades.

### REMOVAL AND INSTALLATION METHOD OF BATTERY

1. Battery removal  
Hold the handle tightly and push the battery latch to remove the battery (see Fig. 5).

**⚠ CAUTION**  
Never short-circuit the battery.

2. Battery installation  
Insert the battery while observing its polarities (see Fig. 5).



### CHARGING METHOD

**NOTE**  
Before plugging into the receptacle, make sure the following points.

- The power source voltage is stated on the nameplate.
- The cord is not damaged.

**⚠ WARNING**

**Do not charge at voltage higher than indicated on the nameplate.**

**If charged at voltage higher than indicated on the nameplate, the charger will burn up.**

1. Connect the charger's power cord to a receptacle. When the power cord is connected, the charger's pilot lamp will blink in red. (At 1-second intervals)

**⚠ WARNING**

**Do not use the electrical cord if damaged. Have it repaired immediately.**

2. Insert the battery to the battery charger. Firmly Insert the battery into the battery charger as shown in Fig. 6.

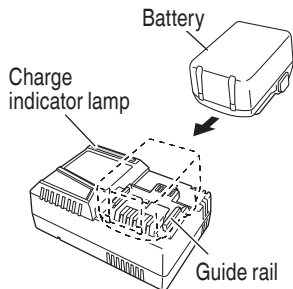


Fig. 6

3. Charging  
When inserting a battery in the charger, the charge indicator lamp will blink in blue.  
When the battery becomes fully recharged, the charge indicator lamp will light up in green. (See Table 2)
- (1) Charge indicator lamp indication  
The indications of the charge indicator lamp will be as shown in Table 2, according to the condition of the battery charger or the battery.

Table 2

Charger status	Status of indicator lamp	Indication meaning
Before charging	ON/OFF at 0.5 sec. intervals (RED) 	Plugged into power source *1
While charging	Lights for 0.5 sec. at intervals of 1 sec. (BLUE) 	Charged at less than 50%
	Lights for 1 sec. at intervals of 0.5 sec. (BLUE) 	Charged at less than 80%
	Lights continuously (BLUE) 	Charged at more than 80%
Charging complete	Lights continuously (GREEN)  (Continuous buzzer sound: about 6 sec.)	
Overheat standby	ON/OFF at 0.3 sec. intervals (RED) 	Battery overheated. Unable to charge. *2
Charging impossible	ON/OFF at 0.1 sec. intervals (PURPLE)  (Intermittent buzzer sound: about 2 sec.)	Malfunction in the battery or the charger *3

\*1 If the red lamp continues to blink even after the charger has been attached, check to confirm that the battery has been fully inserted.

\*2 Although charging will start once the battery has cooled down even when left in situ, the best practice is to remove the battery and allow it to cool down in a shaded, well-ventilated location before charging.

\*3

- Fully insert the battery.
- Check to confirm that no foreign matter is stuck to the battery mount or terminals.

<If charging takes a long time>

- Charging will take longer at extremely low ambient temperatures. Charge the battery in a warm location (such as indoors).
- Do not block the air vent. Otherwise the interior will overheat, reducing the charger's performance.
- If the cooling fan is not operating, contact a HiKOKI Authorized Service Center for repairs.

- (2) Regarding the temperature of the rechargeable battery.

The temperatures for rechargeable batteries are as shown in the Table 3, and batteries that have become hot should be cooled for a while before being recharged.

Table 3

Rechargeable batteries	Temperatures at which the battery can be recharged
BSL36A18	32°F–122°F (0°C–50°C)

- (3) Regarding recharging time (At 68°F (20°C))

Table 4 Charging time

Battery	Charger	UC18YSL3
BSL36A18		Approx. 32 min

**NOTE**

The recharging time may vary according to the ambient temperature.

4. Disconnect battery charger from the receptacle.

**⚠ CAUTION**

**Do not pull the plug out of the receptacle by pulling on the cord.**

**Make sure to grasp the plug when removing from receptacle to avoid damaging cord.**

5. Remove the battery from the battery charger. Supporting the battery charger with hand, pull out the battery from the battery charger.

**NOTE**

Be sure to pull out the battery from the battery charger after use, and then keep it.

**Regarding electric discharge in case of new batteries, etc.**

As the internal chemical substance of new batteries and batteries that have not been used for an extended period is not activated, the electric discharge might be low when using them the first and second time. This is a temporary phenomenon, and normal time required for recharging will be restored by recharging the batteries 2–3 times.

**How to make the batteries perform longer**

- (1) Recharge the batteries before they become completely exhausted.

When you feel that the power of the tool becomes weaker, stop using the tool and recharge its battery. If you continue to use the tool and exhaust the electric current, the battery may be damaged and its life will become shorter.

- (2) Avoid recharging at high temperatures.

A rechargeable battery will be hot immediately after use. If such a battery is recharged immediately after use, its internal chemical substance will deteriorate, and the battery life will be shortened. Leave the battery and recharge it after it has cooled for a while.

**⚠ CAUTION**

- **When the battery charger has been continuously used, the battery charger will be heated, thus constituting the cause of the failures. Once the charging has been completed, give 15 minutes rest until the next charging.**

- **If the battery is charged while it is heated because it has been left for a long time in a location subject to direct sunlight or because the battery has just been used, the charge indicator lamp of the charger lights for 0.3 seconds, does not light for 0.3 seconds (off for 0.3 seconds). In such a case, first let the battery cool, then start charging.**

- **When the charge indicator lamp flickers (at 0.2-second intervals), check for and take out any foreign objects in the charger's battery installation hole. If there are no foreign objects, it is probable that the battery or charger is malfunctioning. Take it to your authorized Service Center.**

**HOW TO RECHARGE USB DEVICE****⚠ WARNING**

- **Prior to use, check the connecting USB cable for any defect or damage. Using a defective or damaged USB cable can cause smoke emission or ignition.**
- **When the product is not being used, cover the USB port with the rubber cover. Buildup of dust etc. in the USB port can cause smoke emission or ignition.**

**NOTE**

- The time required for charging will be longer when a USB device and battery are being simultaneously charged.
- There may be an occasional pause during USB recharging.
- When a USB device is not being charged, turn the USB power switch OFF and remove the USB device from the charger. Failure to do so may not only reduce the battery life of a USB device, but may also result in unexpected accidents.

- (1) Select a charging method  
Depending on the charge method selected, either the battery is inserted into the charger or the power cord is plugged into an outlet.

- Charging a USB device by battery (Fig. 7-a)
- Charging a USB device from a electrical outlet (Fig. 7-b)
- Charging a USB device and battery from a electrical outlet (Fig. 7-c)

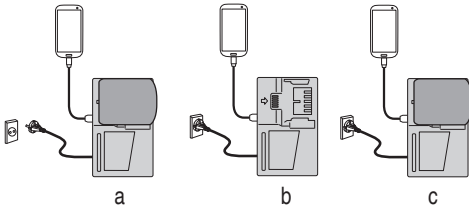


Fig. 7

- (2) Turn the USB power switch ON (Fig. 8)  
When you turn the USB power switch ON, the USB power indicator lamp will light up.

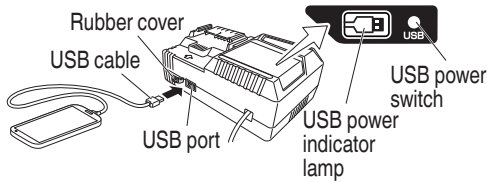


Fig. 8

- (3) Connect the USB cable. (Fig. 8)  
Pull back the rubber cover and firmly plug in a commercially available USB cable (appropriate to the device being charged) into the USB port.
- When the power cord is not plugged into an outlet and the battery runs out of power, power output will stop and the USB power indicator lamp will shut off.
  - When the USB power indicator lamp goes out, change the battery or plug the power cord into an electrical outlet.
- (4) When charging is completed
- The USB power indicator lamp will not go out when a USB device has been completely charged.  
To verify charge status, check the USB device.
  - Turn the USB power switch OFF and unplug the power cord from the electrical outlet. (Fig. 8)
  - Remove the battery from the charger and place the rubber cover over the USB port.

<Pausing of charging of a USB device>

- When plugging in the power of the charger during charging from the battery to a USB device, or when attaching the battery during charging from the charger to a USB device, charging is paused for about 5 seconds as the power supply source is determined.
- When charging of the battery is complete, USB charging is paused for about 5 seconds while it performs a check.

- When the remaining battery capacity is extremely low, the charger will prioritize the charging of the battery and temporarily stop USB charging, but the USB charging will automatically resume when the remaining battery capacity reaches a certain level.

## PRIOR TO OPERATION

1. Power switch  
Ensure that the switch is in the OFF position.
  2. Check your work environment  
Ensure the following before operation:
    - No flammable gas, liquid, or object at worksite.
    - When grinding thin steel sheet it may cause a high booming noise.  
To avoid such noise, place a rubber mat under the workpiece.
    - Clear the area of children or unauthorized personnel.
  3. Mounting the wheel guard  
Be sure to mount the wheel guard at an angle that will protect the operator's body from injury by a broken wheel piece.  
[Installing Wheel Guard] (Fig. 9)
- Open and hold the lever, then install the wheel guard so that the projection on the wheel guard aligns with the recess in the packing gland.
  - Rotate the wheel guard to an angle suitable for use, then release your finger from the lever.
  - Rotate the wheel guard left or right until it locks into place.

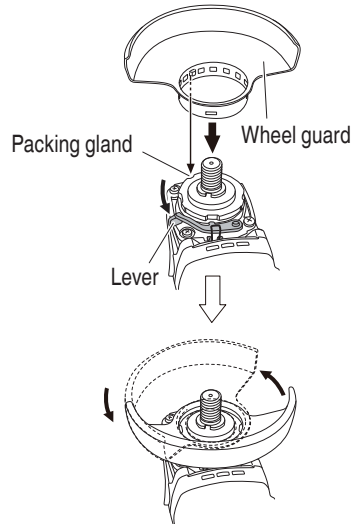


Fig. 9



**⚠ WARNING**

**If the wheel guard is not attached properly, a broken wheel may result in and cause death or serious injury.**

4. Thoroughly check that the depressed center wheel is free of cracks, splits and other abnormalities before mounting. Make sure it is firmly clamped and has been properly mounted. Refer to “Depressed Center Wheel Assembly and Disassembly” (Fig. 18)
5. Test the grinder before using.  
Before actually beginning the grinding work, test the grinder by first clearing the area of all other personnel. Make sure the wheel guard is in place and that you are wearing eye protection. Turn the grinder “on”, and make sure the grinder runs smoothly and shows no abnormalities.

Duration of the trial run is as follows:

When depressed center wheel is replaced .....  
.....3 minutes or more

When starting daily work .....1 minute or more

6. Use only properly rated depressed center wheels. Use only depressed center wheels rated at **13,300 /min or more**. Using a depressed center wheel rated less can lead to wheel disintegration during operation and cause serious bodily injury.
7. Check the push button.  
Make sure that the push button is disengaged by pushing push button two or three times before turning on the grinder. (Fig. 10)

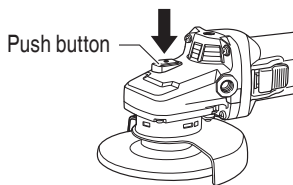


Fig. 10

8. Fixing the side handle  
Screw the side handle into the gear cover (Fig. 11).

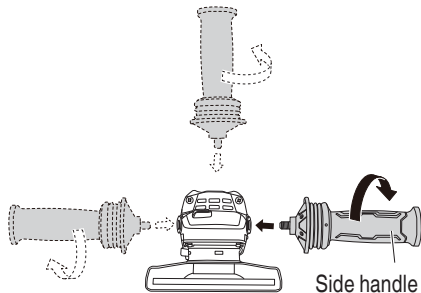


Fig. 11

9. Remaining battery indicator  
You can check the battery's remaining capacity by pressing the remaining battery indicator switch to light the indicator lamp. (Fig. 12, Table 5)  
It is best to use the remaining battery indicator as a guide since there are slight differences such as ambient temperature and the condition of the battery. Also, the remaining battery indicator may vary from those equipped to a tool or charger.

Remaining battery indicator lamp      Remaining battery indicator switch

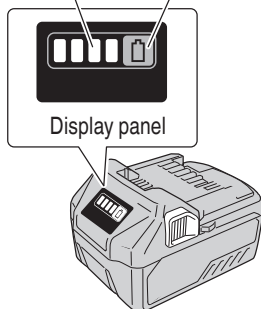


Fig. 12

Table 5

State of lamp	Battery Remaining Power
	Lights ; The battery remaining power is over 75%
	Lights ; The battery remaining power is 50%–75%.
	Lights ; The battery remaining power is 25%–50%.
	Lights ; The battery remaining power is less than 25%
	Blinks ; The battery remaining power is nearly empty. Recharge the battery soonest possible.
	Blinks ; Output suspended due to high temperature. Remove the battery from the tool and allow it to fully cool down.
	Blinks ; Output suspended due to failure or malfunction. The problem may be the battery so please contact your dealer.

As the remaining battery indicator shows somewhat differently depending on ambient temperature and battery characteristics, read it as a reference.

**NOTE**

Do not give a strong shock to the switch panel or break it. It may lead to a trouble.

10. About the mode change function (Fig. 13)  
The unit has "Transmission mode" and "Auto mode".  
The mode can be switched by pressing the Auto mode switch.  
Adjust the number of revolutions in Transmission mode using the dial, while referring to the table below.

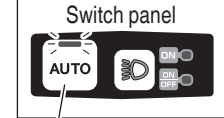
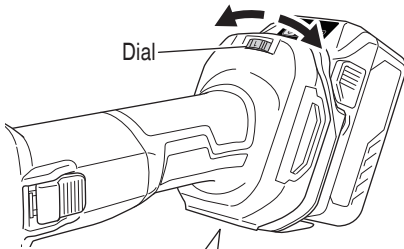
  - With Transmission mode, the grinder's number of revolutions can be set at one of six stages.  
When operating in Transmission mode, the set number of revolutions will be maintained regardless of changes in load.
  - With Auto mode, you can lower noise and vibration by lowering the maximum number of revolutions while in a no-load state.  
While in Auto mode, the number of revolutions will be raised if the load becomes greater during operation.  
On the other hand, the number of revolutions will be lowered if the load decreases during operation. (Table 6)
  - Set the mode and dial according to work application.

Table 6

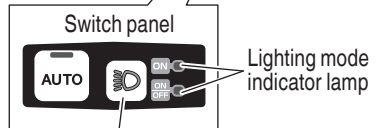
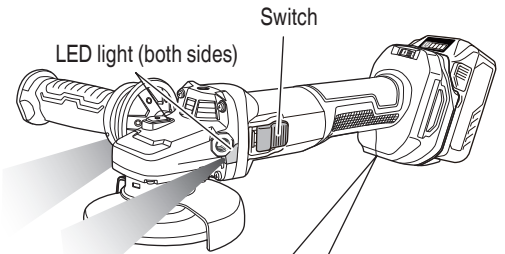
Status	Number of Revolutions (/min)		Use
	G3612DVE G3612DVF	G3615DVF	
1	3,200	3,200	Grinding stainless steel
2	3,900	3,600	
3	5,300	4,600	Rust or paint removal
4	7,400	5,600	
5	8,600	7,200	Grinding, finishing
6	10,000	8,000	
Auto L	5,500	5,500	Light work, Standby state
Auto H	10,000	8,000	Grinding, cutting

Auto L: No-load  
Auto H: During operation

11. How to use the LED light  
By pressing the lighting mode switch on the switch panel, the LED light mode changes as Table 7. It is indicated by green lamp. (Fig. 14)  
To prevent the battery power consumption, turn off the LED light frequently.



Auto mode switch  
Fig. 13



Lighting mode switch  
Fig. 14

Table 7

	Always-ON mode	SW interlocked mode	Always-OFF mode
Panel display			
State	Always ON (turn off after 60 minutes)	Light only SW-ON (Automatically goes out approximately 10 seconds after the switch is released)	Always OFF

**⚠ CAUTION**

- Do not expose directly your eye to the light by looking into the light. If your eye is continuously exposed to the light, your eye will be hurt.
- Wipe off any dirt or grime attached to the lens of the LED light with a soft cloth, being careful not to scratch the lens. Scratches on the lens of the LED light can result in decreased brightness.

**NOTE**

To prevent the battery power consumption caused by forgetting to turn off the LED light, the light goes off automatically in about 60 minutes.

## 12. LED light warning signals

This product features functions that are designed to protect the tool itself as well as the battery. While the switch is pulled, if any of the safeguard functions are triggered during operation, the LED light will blink as described in Table 8. When any of the safeguard functions are triggered, immediately remove your finger from the switch and follow the instructions described under corrective action.

Table 8

Safeguard Function	LED Light Display	Corrective Action
Overload protection	On 0.1 second/ off 0.1 second	Remove the cause of the overburdening.
Kickback protection	■■■■■■■■■■■■■■■■■■■■	
Overheat protection	On 0.5 second/ off 0.5 second	Allow the tool and battery to thoroughly cool.

**GRINDER OPERATION****⚠ CAUTION**

To extend the lifetime, the lithium-ion battery equips with the protection function to stop the output. Therefore, if the tool is overloaded, the motor may stop. However, this is not the trouble but the result of protection function. In this case, release the switch of tool and eliminate the causes of overloading.

**NOTE**

- To prevent injuries, this product has a function that prevents unexpected motor rotation when the battery is inserted. The motor will not run if the battery is inserted while the switch is still ON. After installing the battery, turn the switch off and then back on again.
- This product is equipped with a protection function that will shut down the tool in the event of an overload. Should the tool shut down due to an overload, turn the power off and then turn it back on again. An overload that stops tool operation and lasts more than 10 seconds may not be released by turning the power off and on. Should this happen, remove the battery from the tool and reinstall it before turning on the power switch.

1. Hold the grinder firmly by its housing and side handle (Fig. 2).

The grinder produces a counterforce which must be controlled by firmly holding onto the grinder.

2. Turn the grinder "on".

<G3612DVE> (Fig. 15)

While holding the grinder firmly, slide the switch to the "ON" position with one finger to turn on the tool. Releasing the switch will turn off the tool.

For continued operation, slide the switch to the "ON" position and press down the "ON" position of the switch to lock it in place.

Turn the grinder "OFF" (Fig. 15)

Press the "OFF" position of the switch to release the lock and turn the grinder off.

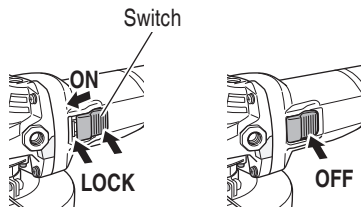


Fig. 15

<G3612DVF> (Fig. 16)

To switch on, slide the off-lock lever in the direction of Ⓐ and press the switch lever in the direction of Ⓑ as shown in Fig. 16. Release the switch lever to switch off.

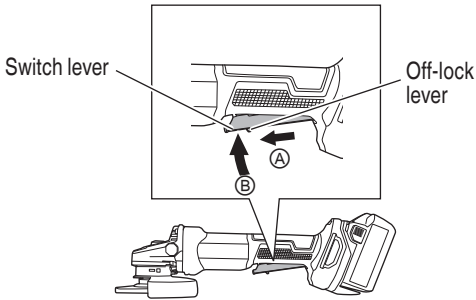


Fig. 16

- Use light grinding pressure. There is no need to press hard when grinding. Usually the grinder's own weight is sufficient to allow the required light contact with the surface to be ground. Do not apply the grinding wheel strongly to the grinding surface. The grinder makes use of electronic circuit, so during application of load rotates at high speed, so ample grinding effect can be obtained by applying light pressure. If a strong grinding pressure or other abnormal load is applied, the overload protection circuit will operate and make the grinder stop rotating, so please stop applying load immediately. Following this, switching the power OFF and then ON again, will cause the rotation to increase to the regular speed.

**⚠ WARNING**

Do not press the grinder forcibly against the surface to be ground. Heavy pressure can result in wheel breakage and serious injury. It can also damage the surface being ground or damage the grinder's motor.

- Use proper grinding angle. Grind only with the wheel's edge by lifting the grinder 15° to 30°, as shown in Fig. 17.

**⚠ CAUTION**

Do not use the entire surface of the depressed center wheel. Use only the edge of the depressed center wheel.

- Move the grinder in the proper direction. When using a new depressed center wheel in direction A (Fig. 17), the wheel edge may cut into the workpiece. In this case, grind in direction B (Fig. 17). Once the wheel edge is worn, the workpiece can be ground in both directions.

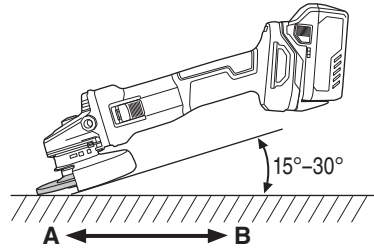


Fig. 17

**NOTE**

The wheel provided (resinoid wheel) is rated as Class A grain and # 36 grain size. It is most suitable for heavy grinding of steel and other types of materials.

- Adjust operation to desired finish. For a fine finish, decrease pressure by lifting slightly. Grind slowly and at the appropriate speed.

**⚠ CAUTION**

The revolving depressed center wheel will create air turbulence. Do not lay the grinder down in areas of dust or dirt until it has come to a complete stop.

**DEPRESSED CENTER WHEEL ASSEMBLY AND DISASSEMBLY**

**⚠ WARNING**

Be sure to turned off the switch and pull out the battery.

- Assembly
  - Turn the disc grinder upsidedown so that the spindle is facing upward.
  - Align the oval-shaped indentation of the wheel washer (E) with the notched part of the spindle, then attach them.
  - Fit the protuberance of the depressed center wheel onto the wheel washer (E).
  - Screw the wheel nut onto the spindle.
  - While pushing the push button with one hand, lock the spindle by turning the depressed center wheel slowly with the other hand. Tighten the wheel nut by using the supplied wrench as shown in Fig. 18.

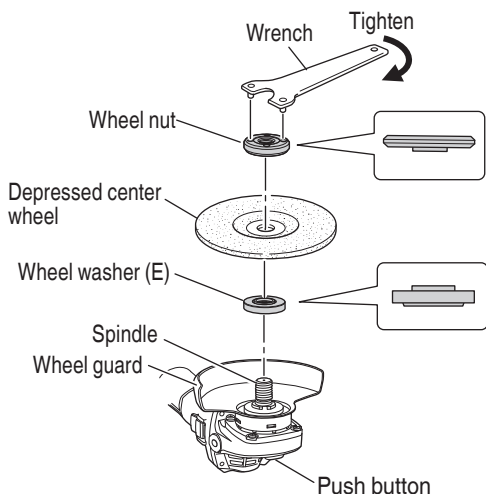


Fig. 18

**⚠ CAUTION**  
Tighten the wheel nut securely and confirm that the depressed center wheel does not wobble.

2. Disassembly  
To remove the depressed center wheel, simply reverse the above-mentioned procedure.

## MAINTENANCE AND INSPECTION

**⚠ WARNING:**

- Be sure to turned off the switch and pull out the battery.
- Using cracked, deformed or damaged wheels can lead to wheel breakage and resulting serious injury.

1. Replacing the depressed center wheel  
Replace the depressed center wheel when it has been worn out to about 2-3/8" (60mm) in external diameter. Confirm that there is no crack or any damage to the depressed center wheel. If there is a crack or a transformation in the wheel, replace it immediately.
2. Check the Screws  
Loose screws are dangerous. Regularly inspect them and make sure they are tight.

**⚠ CAUTION**  
Using this power tool with loosened screws is extremely dangerous.

3. Check for Dust  
Dust may be removed with a soft cloth or a cloth dampened with soapy water.  
Do not use bleach, chlorine, gasoline or thinner, for they may damage the plastics.

4. Inspection of terminals (tool and battery)  
Check to make sure that swarf and dust have not collected on the terminals.  
On occasion check prior, during and after operation.

**⚠ CAUTION**  
Remove any swarf or dust which may have collected on the terminals.  
Failure to do so may result in malfunction.

5. Filter cleaning and inspection

**⚠ WARNING**  
Wear protective glasses and a dust mask when cleaning the filter with an air blow gun.  
Failure to do so may result in inhalation or exposure of the eyes to debris or dust.

After use, remove any debris or dust adhered to the filter using a soft brush. (Fig. 19) Check the filter periodically to ensure that it is free of scratching, chipping, or tearing. Replace with a new filter if the filter is damaged in any way.

**NOTE**

- If the mesh is clogged and the debris or dust cannot be removed, detach the filter and clean it with an air blow gun, etc. (Fig. 20)
- After cleaning, make sure to securely attach the filter.

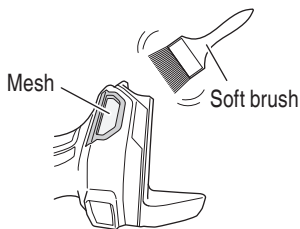


Fig. 19

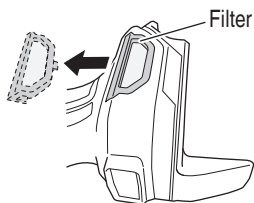


Fig. 20

6. Maintenance of the motor  
The coil on the motor is an important part of the unit. Make sure that it is not damaged or subject to oil or water.

**NOTE**

In order to expel debris and dust, periodically run the motor with no load.

7. Disposal of the exhausted battery

**⚠ WARNING**

**Do not dispose of the exhausted battery. The battery must explode if it is incinerated. The product that you have purchased contains a rechargeable battery. The battery is recyclable. At the end of its useful life, under various state and local laws, it may be illegal to dispose of this battery into the municipal waste stream. Check with your local solid waste officials for details in your area for recycling options or proper disposal.**

8. Storage  
Storing in a place below 104°F (40°C) and out of the reach of children.

**NOTE**

Storing lithium-ion batteries  
Make sure the lithium-ion batteries have been fully charged before storing them.  
Prolonged storage (3 months or more) of batteries with a low charge may result in performance deterioration, significantly reducing battery usage time or rendering the batteries incapable of holding a charge. However, significantly reduced battery usage time may be recovered by repeatedly charging and using the batteries two to five times.  
If the battery usage time is extremely short despite repeated charging and use, consider the batteries dead and purchase new batteries.

9. Service and repairs  
All quality power tools will eventually require servicing or replacement of parts because of wear from normal use. To assure that only authorized replacement parts will be used, all service and repairs must be performed by a metabo HPT AUTHORIZED SERVICE CENTER, ONLY.

**⚠ CAUTION**  
**In the operation and maintenance of power tools, the safety regulations and standards prescribed in each country must be observed.**

**Important notice on the batteries for the metabo HPT cordless power tools**

Please always use one of our designated genuine batteries. We cannot guarantee the safety and performance of our cordless power tool when used with batteries other than these designated by us, or when the battery is disassembled and modified (such as disassembly and replacement of cells or other internal parts).

## ACCESSORIES

### WARNING

Never use any accessories other than those mentioned below.

The use of any accessories other than those mentioned below or attachments not intended for use such as cup wheel, cut-off wheel or saw blade is dangerous and may cause personal injury or property damage.

### NOTE

Accessories are subject to change without any obligation on the part of the metabo HPT.

### STANDARD ACCESSORIES

G3612DVE G3612DVF G3615DVF (NNS)	○ Depressed center wheel (G3612DVE, G3612DVF only) ..... 1 4-1/2" (115 mm) external dia. x 1/4" (6 mm) thickness x 7/8" (22.23 mm) hole dia (Code No. 316821)
	○ Depressed center wheel (G3615DVF) ..... 1 6" (150 mm) external dia. x 1/4" (6 mm) thickness x 7/8" (22.23 mm) hole dia (Code No. 379594)
	○ Wrench (Code No. 938332Z)..... 1
	○ Side handle (Code No. 336865) ..... 1
	○ Bag (Code No. 328849)..... 1
Battery, battery charger and battery cover are not contained.	

### NOTE

Specifications are subject to change without any obligation on the part of the metabo HPT.

## CONSIGNES DE SÉCURITÉ IMPORTANTES

Lire et comprendre toutes les précautions de sécurité, les avertissements et les instructions de fonctionnement dans ce mode d'emploi avant d'utiliser ou d'entretenir cet outil motorisé.

La plupart des accidents causés lors de l'utilisation ou de l'entretien de l'outil motorisé proviennent d'un non respect des règles ou précautions de base de sécurité. Un accident peut la plupart du temps être évité si l'on reconnaît une situation de danger potentiel avant qu'elle ne se produise, et en observant les procédures de sécurité appropriées.

Les précautions de base de sécurité sont mises en évidence dans la section "SECURITE" de ce mode d'emploi et dans les sections qui contiennent les instructions de fonctionnement et d'entretien.

Les dangers qui doivent être évités pour prévenir des blessures corporelles ou un endommagement de la machine sont identifiés par AVERTISSEMENTS sur l'outil motorisé et dans ce mode d'emploi.

**NE JAMAIS** utiliser cet outil motorisé d'une manière qui n'est pas spécifiquement recommandée par metabo HPT.

## SIGNIFICATION DES MOTS D'AVERTISSEMENT

**AVERTISSEMENT** indique des situations potentiellement dangereuses qui, si elles sont ignorées, pourraient entraîner la mort ou de sérieuses blessures.

**PRÉCAUTION** indique des situations dangereuses potentielles qui, si elles ne sont pas évitées, peuvent entraîner de mineures et légères blessures ou endommager la machine.

**REMARQUE** met en relief des informations essentielles.

# SECURITE

## AVERTISSEMENTS DE SÉCURITÉ GÉNÉRAUX CONCERNANT LES OUTILS ÉLECTRIQUES

### AVERTISSEMENT

**Lire tous les avertissements de sécurité et toutes les instructions.**

Tout manquement à observer ces avertissements et instructions peut engendrer des chocs électriques, des incendies et/ou des blessures graves.

**Conservez tous les avertissements et toutes les instructions pour vous y référer ultérieurement.**

Le terme "outil électrique", utilisé dans les avertissements, se réfère aux outils électriques (câblé) ou aux outils à piles (sans fil).

#### 1) Sécurité de l'aire de travail

##### a) Maintenir l'aire de travail propre et bien éclairée.

Les endroits encombrés ou sombres sont propices aux accidents.

##### b) Ne pas utiliser d'outils électriques en présence de liquides, gaz ou poussière inflammables, au risque de provoquer une explosion.

Les outils électriques créent des étincelles susceptibles d'enflammer la poussière.

##### c) Ne pas laisser les enfants et les visiteurs s'approcher de vous lorsque vous utiliser un outil électrique.

Les distractions peuvent faire perdre le contrôle.

#### 2) Sécurité électrique

##### a) Les prises de l'outil électrique doivent correspondre à la prise secteur.

**Ne jamais modifier la prise.**

**Ne pas utiliser d'adaptateurs avec les outils électriques mis à la masse.**

Les prises non modifiées et les prises secteurs correspondantes réduisent les risques de choc électrique.

##### b) Éviter tout contact avec les surfaces mises à la masse telles que les tuyaux, radiateurs, bandes et réfrigérateurs.

Le risque de choc électrique est accru en cas de mise à la masse du corps.

##### c) Ne pas exposer les outils électriques à la pluie ou à des conditions humides.

Si l'eau pénètre dans l'outil, cela augmente les risques de choc électrique.

##### d) Ne pas utiliser le cordon à tort. Ne jamais utiliser le cordon pour transporter ou débrancher l'outil électrique.

**Maintenir le cordon loin de la chaleur, de l'huile, des bords pointus ou des pièces mobiles.**

Les cordons endommagés ou usés augmentent les risques de choc électrique.



- e) **En cas d'utilisation d'un outil électrique à l'extérieur, utiliser un cordon de rallonge adapté à un usage extérieur.**  
L'utilisation d'un cordon adapté à l'usage extérieur réduit les risques de choc électrique.
- f) **Si vous devez utiliser un outil électrique dans un endroit humide, utilisez une alimentation protégée contre les courants résiduels.**  
L'utilisation d'un dispositif de protection contre les courants résiduels réduit le risque de choc électrique.
- 3) **Sécurité personnelle**
- a) **Restez alerte, regarder ce que vous faites et usez de votre bon sens en utilisant un outil électrique.**  
**Ne pas utiliser d'outil électrique si vous êtes sous l'influence de drogues, d'alcool ou de médicaments.**  
Pendant l'utilisation d'outils électrique, un instant d'inattention peut entraîner des blessures graves.
- b) **Utiliser un équipement de protection individuelle. Toujours porter des verres de protection.**  
L'utilisation d'équipements de protection tels que les masques anti-poussière, les chaussures de sécurité anti-dérapantes, les casques ou les protections auditives dans des conditions appropriées réduisent les risques de blessures.
- c) **Empêcher les démarrages intempestifs. Veiller à ce que l'interrupteur soit en position d'arrêt avant de brancher à une source d'alimentation et/ou une batterie, de ramasser l'outil au sol ou de le transporter.**  
Transporter les outils électriques avec le doigt sur l'interrupteur ou brancher les outils électriques avec l'interrupteur en position de marche peut entraîner des accidents.
- d) **Retirer toute clé de sécurité ou clé avant de mettre l'outil électrique en marche.**  
Laisser une clé ou une clé de sécurité sur une partie mobile de l'outil électrique peut engendrer des blessures.
- e) **Ne pas trop se pencher. Toujours garder une bonne assise et un bon équilibre pendant le travail.**  
Cela permet un meilleur contrôle de l'outil électrique dans des situations imprévisibles.
- f) **Porter des vêtements adéquats. Ne pas porter de vêtements amples ni de bijoux. Maintenir les cheveux, les vêtements et les gants loin des pièces mobiles.**  
Les vêtements amples ou les cheveux longs peuvent se prendre dans les pièces mobiles.
- g) **En cas de dispositifs destinés au raccordement d'installations d'extraction et de recueil de la poussière, veiller à ce qu'ils soient correctement raccordés et utilisés.**
- L'utilisation d'un dispositif de collecte de la poussière peut réduire les dangers associés à la poussière.
- 4) **Utilisation et entretien d'un outil électrique**
- a) **Ne pas forcer sur l'outil électrique. Utiliser l'outil électrique adapté à vos travaux.**  
Le bon outil électrique fera le travail mieux et en toute sécurité au régime pour lequel il a été conçu.
- b) **Ne pas utiliser l'outil électrique si l'interrupteur ne le met pas en position de marche et d'arrêt.**  
Tout outil ne pouvant être contrôlé par l'interrupteur est dangereux et doit être réparé.
- c) **Débrancher la prise ou retirer la batterie avant de procéder à des réglages, au remplacement des accessoires ou au stockage des outils électriques.**  
Ces mesures préventives de sécurité réduisent les risques de démarrage accidentel de l'outil électrique.
- d) **Stockez les outils électriques inutilisés hors de la portée des enfants et ne pas laisser des personnes non familiarisées avec l'outil ou ces instructions utiliser l'outil électrique.**  
Les outils électriques sont dangereux entre les mains d'utilisateurs non habilités.
- e) **Entretien des outils électriques. Vérifier l'absence de mauvais alignement ou d'arrêt, d'endommagement de pièces ou toute autre condition susceptible d'affecter l'opération de l'outil.**  
**Si l'outil est endommagé, le faire réparer avant utilisation.**  
De nombreux accidents sont dus à des outils mal entretenus.
- f) **Maintenir les outils coupants aiguisés et propres.**  
Des outils coupants bien entretenus avec des bords aiguisés sont moins susceptibles de se coincer et plus simples à contrôler.
- g) **Utiliser l'outil électrique, les accessoires et les mèches de l'outil, etc. conformément à ces instructions en tenant compte des conditions d'utilisation et du travail à réaliser.**  
L'utilisation de l'outil électrique pour des opérations différentes de celles pour lesquelles il a été conçu est dangereuse.
- 5) **Utilisation et entretien de la batterie**
- a) **Recharger la batterie uniquement avec le chargeur recommandé par le fabricant.**  
Un chargeur inadéquat pour le type de batterie peut entraîner un risque d'incendie en cas d'utilisation avec une autre batterie.
- b) **Utiliser les outils électriques uniquement avec les batteries spécifiées.**  
L'utilisation d'autres batteries peut entraîner un risque de blessures et d'incendie.

- c) **Lorsque la batterie est inutilisée, la garder à l'écart d'objets métalliques comme des trombones, des pièces de monnaie, des clés, des clous, des vis ou autres petits objets métalliques pouvant raccorder les bornes.**  
La connexion des bornes peut entraîner des blessures ou un incendie.
- d) **En cas d'utilisation dans des conditions extrêmes, du liquide peut être émis de la batterie. Éviter tout contact. en cas de contact accidentel, rincer à l'eau. Si le liquide entre en contact avec les yeux, consulter un médecin.**  
Le liquide émis par la batterie peut entraîner des irritations et des brûlures.
- 6) **Service**
- a) **Faire entretenir l'outil électrique par un technicien habilité à l'aide de pièces de rechange identiques exclusivement.**  
Cela garantira le maintien de la sécurité de l'outil électrique.

## AVERTISSEMENTS DE SÉCURITÉ POUR LES OPÉRATIONS DE MEULAGE

- a) **Cet outil électronique est destiné à être utilisé comme meule. Lisez tous les avertissements, instructions, illustrations et spécifications accompagnant le présent outil.**  
L'inobservation des instructions énumérées ci-dessous peut entraîner un choc électrique, un incendie et/ou une blessure grave.
- b) **Il n'est pas recommandé d'effectuer des opérations telles que sablage, brossage métallique, polissage ou coupe avec cet appareil électrique.**  
Toute utilisation de cet appareil à une fin autre que celles prévues est dangereuse et peut provoquer une blessure corporelle.
- c) **N'utilisez pas d'accessoires autres que ceux spécifiquement désignés et recommandés par le fabricant.**  
Le fait de pouvoir fixer un accessoire sur l'appareil ne signifie pas que son utilisation est sécurisée.
- d) **La vitesse nominale de l'appareil doit être au moins égale à la vitesse maximale indiquée sur l'outil électrique.**  
Les accessoires utilisés à une vitesse supérieure à la vitesse nominale peuvent se briser et se détacher.
- e) **Le diamètre extérieur et l'épaisseur de votre accessoire doivent être inférieurs à la capacité nominale de votre outil électrique.**  
Les accessoires de taille incorrecte ne peuvent être correctement protégés ou contrôlés.
- f) **Le filetage de montage des accessoires doit correspondre à celui du mandrin de la meuleuse. Pour les accessoires montés avec des brides, l'orifice de l'arbre de l'accessoire doit correspondre au diamètre de positionnement de la bride.**  
Les accessoires qui ne correspondent pas au matériel de montage de l'outil motorisé vont se trouver

déséquilibrés, vibreront excessivement et pourront entraîner une perte de contrôle.

- g) **N'utilisez pas d'accessoire endommagé. Avant chaque utilisation, vérifiez que l'accessoire n'est pas ébréché ni craquelé. Si l'outil électrique ou l'accessoire est tombé, vérifiez qu'il n'est pas endommagé ou installez un accessoire en bon état. Après avoir vérifié l'accessoire ou en avoir installé un nouveau, restez à l'écart de l'accessoire et faites tourner l'outil à vide pendant une minute à vitesse maximale.**  
Si les accessoires sont endommagés, ils se cassent pendant ce test.
- h) **Portez un équipement de protection individuelle. Selon l'application, utilisez un masque ou des lunettes de sécurité. Si besoin, portez un masque anti-poussière, des protecteurs d'oreille, des gants et un tablier capable d'arrêter les petits fragments abrasifs.**  
La protection oculaire doit être capable d'arrêter les projections de débris générés au cours des différentes opérations. Le masque à poussière et le respirateur doivent être capables de filtrer les particules générées par votre opération. Une exposition prolongée à des bruits de haute intensité peut entraîner une perte d'audition.
- i) **Toutes les personnes à proximité doivent rester à distance de l'aire de travail. Toute personne entrant dans l'aire de travail doit porter un équipement de protection individuelle.**  
Les fragments de pièce usinée ou d'accessoire brisé peuvent être projetés au delà de la zone d'opération immédiate et provoquer une blessure.
- j) **Maintenez l'outil uniquement par les surfaces de prise isolantes, si l'outil coupant, en marche, peut être en contact avec des conducteurs cachés.**  
Le contact avec un fil "sous tension" mettra également "sous tension" les parties métalliques exposées de l'outil et pourra provoquer un choc électrique sur l'opérateur.
- k) **Éloignez le cordon de l'accessoire en rotation.**  
Si vous perdez le contrôle, le cordon risque d'être découpé, et vous risquez de vous coincer le main ou le bras dans l'accessoire en rotation.
- l) **Ne posez jamais l'outil électrique avant l'arrêt complet de l'accessoire.**  
L'accessoire en rotation risque d'accrocher la surface et de vous faire perdre le contrôle de l'outil électrique.
- m) **Ne faites pas tourner l'outil électrique pendant que vous le transportez à la main.**  
L'accessoire en rotation risque d'accrocher vos vêtements ou de vous blesser.
- n) **Nettoyez régulièrement les événements de l'outil électrique.**  
Le ventilateur du moteur risque d'attirer la poussière à l'intérieur du logement et l'accumulation excessive de métaux en poudre risque de provoquer un court-circuit.

- o) **N'utilisez pas l'outil électrique à proximité de matériaux inflammables.**  
Ces matériaux risquent de prendre feu sous l'effet des étincelles.
- p) **N'utilisez pas d'accessoires nécessitant des liquides de refroidissement.**  
L'usage d'eau ou d'autres liquides de refroidissement peut entraîner une électrocution ou un choc électrique.

## RECU DE L'APPAREIL ET AVERTISSEMENTS ASSOCIÉS

*Le recul est une réaction soudaine provoquée par le pincement ou le coincement d'une meuleuse, d'une plaque, d'une brosse ou autre type d'accessoire. L'accessoire en rotation cale alors rapidement, ce qui projette l'outil électrique dans la direction opposée à la rotation de l'accessoire.*

*Par exemple, si une meule est coincée par la pièce à usiner, le rebord de la meule entrant dans le point de pincement peut accrocher la surface du matériau, entraînant un déchaussement de la meule. La meule peut alors dévier de sa trajectoire, vers l'opérateur ou dans la direction opposée, selon la direction de la meule au point de pincement. Les meules abrasives risquent de se briser. Le recul est le résultat d'une utilisation abusive de l'outil électrique et/ou de l'inobservation des procédures d'utilisation. Il peut être évité en suivant les quelques précautions indiquées ci-dessous.*

- a) **Maintenez fermement l'outil électrique et positionnez-vous de manière à résister aux reculs. Utilisez toujours la poignée auxiliaire, si prévue sur l'appareil, afin de contrôler au mieux ou reculer ou la réaction de couple au cours du démarrage.**  
L'opérateur peut contrôler les réactions de couple ou les forces de recul s'il prend les précautions adéquates.
- b) **Ne placez jamais votre main à proximité de l'accessoire en rotation.**  
En reculant, l'accessoire peut blesser votre main.
- c) **Ne placez pas votre corps dans la zone de recul de l'appareil.**  
Le recul propulse l'outil dans la direction opposée au mouvement de la meule au point de pincement.
- d) **Faites particulièrement attention lorsque vous travaillez sur des coins ou des rebords tranchants, etc. Évitez de faire rebondir l'accessoire et de le coincer.**  
Les coins, rebords tranchants ou les rebonds ont tendance à coincer l'accessoire en rotation, provoquant une perte de contrôle ou un recul.
- e) **Ne fixez pas de scie à chaîne, de lame à sculpter ou autre lame de scie à dents.**  
Ces lames sont souvent à l'origine de retours et de pertes de contrôle.

## AVERTISSEMENTS DE SÉCURITÉ SPÉCIFIQUES AUX OPÉRATIONS DE MEULAGE

- a) **Utilisez uniquement des types de meules recommandées pour votre outil électrique ainsi que le dispositif de protection spécifiquement conçu pour la meule utilisée.**  
Les meules autres que celles pour lesquelles cet outil électrique a été conçu ne peuvent être protégées de manière adéquate et ne sont pas sécurisées.
- b) **La surface de meulage des meules à dépression centrale doit être montée au-dessous du plan de la lèvre du carter de protection.**  
Une meule mal montée qui dépasse du plan de la lèvre du carter de protection ne peut pas être correctement protégée.
- c) **Le dispositif de protection doit être correctement fixé à l'outil électrique et positionné de manière à assurer une sécurité optimale, en laissant exposée la plus petite partie possible de la meule.**  
Le dispositif de protection protège l'opérateur en cas de bris de la meule, de contact accidentel avec la meule et des étincelles susceptibles d'enflammer les vêtements.
- d) **Les meules doivent uniquement être utilisées pour les applications recommandées. Par exemple : n'utilisez pas le côté à tronçonner de la meule pour abraser.**  
Les meules de tronçonnage par abrasion sont prévues pour un meulage périphérique. L'application d'une force latérale peut les faire briser en éclats.
- e) **Utilisez toujours des brides de taille et de forme adaptées à la meule utilisée.**  
Les brides supportent la meule, réduisant ainsi le risque de bris. Les brides de meules de tronçonnage être différentes des brides de meules de remouleur.
- f) **N'utilisez pas de meules usées provenant d'outils électriques plus puissants.**  
Les meules prévues pour des outils électriques plus puissants ne sont pas adaptées à la vitesse (supérieure) d'un outil de plus petite taille et risquent d'éclater.

## CONSIGNES DE SÉCURITÉ GÉNÉRALES RELATIVES AUX MEULEUSES DROITES

- Vérifiez que la vitesse indiquée sur la meule est égale ou supérieure à la vitesse nominale de la meuleuse.
- Vérifiez que les dimensions des meules sont compatibles avec la meuleuse.
- Les meules abrasives doivent être stockées et manipulées conformément aux instructions du fabricant.
- Inspectez la meule de la meuleuse avant utilisation, n'utilisez pas de produits ébréchés, craquelés ou défectueux.

- Vérifiez que les meules et les points montés sont installés conformément aux instructions du fabricant.
- Vérifiez que les buvards sont utilisés lorsqu'ils sont équipés du produit abrasif stratifié et lorsqu'ils sont nécessaires.
- Vérifiez que le produit abrasif est correctement monté et serré avant d'utiliser et de démarrer l'outil sans charge pendant 30 secondes en position sûre ; en cas de vibrations excessives ou autres défauts, arrêtez immédiatement l'outil. Si tel est le cas, vérifiez la machine pour en déterminer la cause.
- Si l'outil est équipé d'un protecteur, ne jamais utiliser cet outil sans ce protecteur.
- N'utilisez pas de douilles de réductions ou d'adaptateurs pour adapter des meules abrasives à grand orifice.
- Pour les outils destinés à être équipés d'une meule à orifice fileté, vérifiez que le fil dans la meule est suffisamment long pour accueillir la longueur de la broche.
- Immobilisez la pièce et vérifiez qu'elle est correctement supportée. Une pièce serrée par des dispositifs de serrage ou dans un étai est mieux tenue qu'à la main.
- Ne pas utiliser de meule de coupe pour l'affûtage latéral.
- Vérifiez que les étincelles dues à l'utilisation ne représentent pas un danger, par ex. ne touchent pas des personnes ou enflamment des substances inflammables.
- Vérifiez que les bouches d'aération ne sont pas obstruées en travaillant dans un environnement poussiéreux ; s'il est nécessaire de nettoyer la poussière, débranchez d'abord l'outil de la prise d'alimentation (utilisez des objets non métalliques) et évitez d'endommager les pièces internes ;
- Utilisez toujours des lunettes et des protections auriculaires. Il est recommandé de porter des équipements de protection personnelle tels qu'un masque, des gants, un casque et un tablier.
- Prenez garde à la meule qui continue de tourner une fois l'outil éteint.
- Ne pas laisser de corps étrangers pénétrer par le trou de raccordement de la batterie rechargeable.
- Ne jamais désassembler la batterie rechargeable et le chargeur.
- Ne jamais court-circuiter la batterie rechargeable. Le court-circuitage de la batterie provoquera un courant électrique puissant et une surchauffe. Cela présente un risque de brûlure ou de dommages à la batterie.
- Ne pas jeter la batterie au feu. Elle pourrait exploser.
- Ne pas insérer d'objets dans les fentes de ventilation du chargeur. L'insertion d'objets métalliques ou de produits inflammables dans les fentes de ventilation du chargeur présente un risque de décharge électrique ou de dommage du chargeur.
- Apporter la batterie au magasin d'achat dès que la durée de vie de la batterie après la charge devient trop courte pour une utilisation pratique. Ne pas jeter une batterie usagée.

## REGLES DE SECURITE SPECIFIQUES ET SYMBOLES

### 1. **TOUJOURS** utiliser un capot couvre-meule approprié avec la meuleuse.

En effet, le capot couvre-meule met l'opérateur à l'abri d'éventuelles projections de fragments de meule cassés.

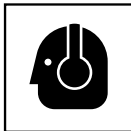
### 2. **Les accessoires doivent être utilisés à une cadence équivalent au moins à la vitesse de rotation de la meule telle qu'elle est indiquée sur l'étiquette de mise en garde de l'outil.**

En effet, les meules et les autres accessoires qui sont utilisés à une cadence supérieure à la vitesse nominale risquent d'être projetés aux alentours et de blesser quelqu'un.

### 3. **Maintenez les outils électriques par les surfaces de prise isolées lorsque vous effectuez une opération au cours de laquelle l'outil de coupe peut entrer en contact avec un câblage caché.**

Un contact avec un fil "sous tension" mettra les parties métalliques de l'outil "sous tension" et électrocutera l'utilisateur.

### 4. **TOUJOURS** porter des protecteurs d'oreille lors de l'utilisation de l'outil pendant de longues périodes.



Une exposition prolongée à un son de forte intensité peut endommager l'ouïe de l'utilisateur.

### 5. **Utiliser uniquement une meule à dépression centrale ayant un régime nominal SUPERIEUR à 13,300 /min.**

L'utilisation d'une meule à dépression centrale ayant un régime nominal INFÉRIEUR à 13,300 /min et/ou d'une meule de la mauvaise taille (voir les SPECIFICATIONS, page 35) risque de provoquer une rupture de la meule et de projeter des fragments de meule, ce qui pourrait entraîner la mort ou des blessures graves.

### 6. **NE JAMAIS** toucher les parties mobiles.



**NE JAMAIS** placer ses mains, ses doigts ou toute autre partie de son corps près des parties mobiles de l'outil.

### 7. **NE JAMAIS** utiliser l'outil sans que tous les dispositifs de sécurité ne soient en place.

**NE JAMAIS** faire fonctionner cet outil sans que tous les dispositifs et caractéristiques de sécurité ne soient en place et en état de fonctionnement. Si un entretien ou une réparation nécessite le retrait d'un dispositif ou d'une caractéristique de sécurité, s'assurer de bien remettre en place le dispositif ou la caractéristique de sécurité avant de recommencer à utiliser l'outil.

### 8. **Utiliser l'outil correct**

Ne pas forcer sur un petit outil ou accessoire pour faire le travail d'un outil de grande puissance. Ne pas

utiliser un outil pour un usage pour lequel il n'a pas été prévu: par exemple, ne pas utiliser une scie circulaire pour couper des branches d'arbre ou des bûches.

9. **NE JAMAIS utiliser un outil motorisé pour des applications autres que celles spécifiées.**

**NE JAMAIS** utiliser un outil motorisé pour des applications autres que celles spécifiées dans le mode d'emploi.

10. **Manipuler l'outil correctement**

Utiliser l'outil de la façon indiquée dans ce mode d'emploi. Ne pas laisser tomber ou lancer l'outil. **NE JAMAIS** permettre que l'outil soit utilisé par des enfants, des personnes non familiarisées avec son fonctionnement ou un personnel non autorisé.

11. **Maintenir toutes les vis, tous les boulons et les couvercles fermement en place.**

Maintenir toutes les vis, tous les boulons et les couvercles fermement montés. Vérifier leurs conditions périodiquement.

12. **Ne pas utiliser les outils motorisés si le revêtement de plastique ou la poignée est fendu.**

Des fentes dans le revêtement ou la poignée peuvent entraîner une électrocution. De tels outils ne doivent pas être utilisés avant d'être réparé.

13. **Les lames et les accessoires doivent être fermement montés sur l'outil.**

Éviter les blessures potentielles personnelles et aux autres. Les meules et les accessoires qui ont été montés sur l'outil doivent être sécurisés et serrés.

14. **Garder propres les événements d'air du moteur**

Les événements d'air du moteur doivent être maintenus propres de façon que l'air puisse circuler librement tout le temps. Vérifier les accumulations de poussière fréquemment.

15. **NE JAMAIS utiliser un outil défectueux ou qui fonctionne anormalement.**

Si l'outil n'a pas l'air de fonctionner normalement, fait des bruits étranges ou sans cela paraît défectueux, arrêter de l'utiliser immédiatement et le faire réparer par un centre de service metabo HPT autorisé.

16. **NE JAMAIS laisser fonctionner l'outil sans surveillance. Le mettre hors tension.**

Ne pas abandonner l'outil avant qu'il ne soit complètement arrêté.

17. **Manipuler l'outil motorisé avec précaution.**

Si un outil motorisé tombe ou frappe un matériau dur accidentellement, il risque d'être déformé, fendu ou endommagé.

18. **Ne pas essuyer les parties en plastique avec du solvant.**

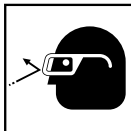
Les solvants comme l'essence, les diluants, la benzine, le tétrachlorure de carbone et l'alcool peuvent endommager et fissurer les parties en plastique. Ne pas les essuyer avec de tels solvants. Essuyer les parties en plastique avec un chiffon doux légèrement imbibé d'une solution d'eau savonneuse et sécher minutieusement.

19. **NE JAMAIS** utiliser de meule à dépression centrale fendue, déformée ou usée (voir la section ENTRETIEN ET INSPECTION, page 45).

20. **NE JAMAIS** utiliser la meuleuse dans des endroits où les étincelles générées par la meuleuse peuvent causer une explosion. Par exemple, en présence de matériaux inflammables ou de gaz.

21. **NE JAMAIS** appuyer sur la bouton-poussoir pendant que l'arbre est en train de tourner.

22. **TOUJOURS** porter des lunettes des protections conformes aux exigences des dernières révisions du standard ANSI Z87.1.



23. **TOUJOURS** porter un masque ou un respirateur pour se protéger de la poussière et des particules dangereuses générées pendant l'opération de meulage.

24. **TOUJOURS** tenir fermement la poignée principale et la poignée latérale lors de l'utilisation de la meuleuse.

25. **TOUJOURS** réaliser un essai de fonctionnement avant de commencer le meulage. (Voir Essayer la meuleuse avant de l'utiliser, la page 40).

26. **TOUJOURS** suivre les instructions contenues dans ce mode d'emploi lors du remplacement de la meule à dépression centrale.

27. **TOUJOURS** vérifier s'il y a des objets encastrés, par exemple des fils électriques.

Le fait de toucher avec l'outil un fil ou un câble électrique sous tension encastré dans le mur risque de provoquer une décharge électrique.

Vérifier s'il y a des objets encastrés, par exemple un câble électrique, dans le mur, le plancher ou le plafond avant d'y commencer le travail.

28. Faites attention au recul du frein.

Cette meuleuse sans fil est équipée d'un frein électrique qui fonctionne quand la gâchette est relâchée. Comme il y a certain recul lorsque le frein entre en action, il convient de tenir fermement le corps principal.

29. N'utilisez pas le produit si l'outil ou les bornes de la batterie (fixation de la batterie) sont déformés.

Installer la batterie peut entraîner un court-circuit qui pourrait provoquer des émissions de fumée ou une ignition.

30. Gardez les bornes de l'outil (fixation de la batterie) exemptes de copeaux et de poussière.

- Avant toute utilisation, assurez-vous qu'aucun copeau ou poussière ne s'est accumulé sur la zone des bornes.

- Pendant l'utilisation, essayez d'éviter que des copeaux ou de la poussière provenant de l'outil ne tombent sur la batterie.

- Lors de la suspension de l'opération ou après l'utilisation, ne laissez pas l'outil dans un endroit où il pourrait être exposé à des copeaux ou de la poussière.

Le non-respect de cette consigne peut entraîner un court-circuit qui pourrait provoquer des émissions de fumée ou une ignition.

31. Définitions pour les symboles utilisés sur cet outil
- V ..... volts
  - ..... courant continu
  - Hz ..... hertz
  - A ..... ampères
  - n ..... vitesse nominale
  - /min..... rotations ou mouvements de va-et-vient par minute

## CONSIGNES DE SÉCURITÉ IMPORTANTES POUR LE CHARGEUR DE BATTERIE

### ⚠ AVERTISSEMENT

**Une utilisation incorrecte ou dangereuse des chargeurs de batterie peut entraîner la mort ou des blessures graves.**

### LIRE TOUT CE MODE D'EMPLOI

1. Ce manuel renferme des consignes de sécurité et d'utilisation importantes pour le chargeur de batterie modèle UC18YSL3.
2. Avant d'utiliser le chargeur de batterie, lire toutes les étiquettes d'instruction et de précaution apposées sur (1) le chargeur de batterie, (2) la batterie, et (3) le produit utilisant la batterie.

3. Pour réduire tout risque de blessure, ne recharger que les batteries rechargeables metabo HPT. Les autres types de batterie pourraient exploser et provoquer des blessures ou des dommages.
4. L'utilisation d'un accessoire non recommandé ou non vendu par le fabricant du chargeur de batterie risque de provoquer un feu, une décharge électrique ou des blessures.
5. Pour réduire tout risque de dommage de la fiche et du cordon électrique, débrancher le cordon du chargeur en tirant sur la fiche.
6. Vérifier que le cordon est placé de façon que personne ne puisse marcher dessus, se prendre les pieds dedans, ni l'endommager ou le soumettre à des contraintes.
7. Ne pas utiliser de cordon de rallonge si cela n'est pas absolument nécessaire. L'utilisation d'un cordon de rallonge incorrect pourrait entraîner un feu ou une décharge électrique. Si l'on doit utiliser un cordon de rallonge, s'assurer que:
  - a. Les broches de la rallonge ont les mêmes numéro, taille et forme que celles de la fiche du chargeur ;
  - b. Le cordon de rallonge est correctement raccordé et en bon état électrique ;
  - c. Le calibre du fil doit être au moins suffisant pour l'intensité nominale CA (ampères) du chargeur de batterie spécifiées dans le Tableau 1.

Tableau 1  
CALIBRE MINIMUM RECOMMANDÉ POUR LES CORDONS DE RALLONGE DES CHARGEURS DE BATTERIE

Intensité nominale d'entrée CA (ampères)*		Calibre du cordon			
Egal ou supérieur à	mais non inférieur à	Longueur de cordon en pieds (mètres)			
		25 (7,5)	50 (15)	100 (30)	150 (45)
0	2	18	18	18	16
2	3	18	18	16	14
3	4	18	18	16	14

\* Si l'intensité nominale d'entrée du chargeur de batterie est donnée en watts et non en ampères, calculer la capacité en ampères correspondante en divisant la capacité en watts par la capacité de tension, par exemple:

$$\frac{1250 \text{ watts}}{125 \text{ volts}} = 10 \text{ ampères}$$

8. Ne pas utiliser le chargeur si son cordon ou sa fiche sont endommagés - Le remplacer immédiatement.
9. Ne pas utiliser le chargeur s'il a reçu un coup, s'il est tombé ou endommagé de toute autre manière. L'apporter à un réparateur qualifié.

10. Ne pas démonter le chargeur ni le produit qui reçoit la batterie ; si un entretien ou des réparations sont nécessaires, les apporter à un réparateur qualifié. Un remontage incorrect pourrait provoquer une décharge électrique ou un feu.
11. Pour réduire tout risque de décharge électrique, débrancher le chargeur de la prise secteur avant tout entretien ou nettoyage. Il ne suffit pas de sortir la batterie.

## CONSIGNES DE SÉCURITÉ IMPORTANTES POUR L'UTILISATION DE LA BATTERIE ET DU CHARGEUR DE BATTERIE

Pour pouvoir utiliser l'outil électrique, il faudra recharger la batterie. Avant d'utiliser le chargeur de batterie modèle UC18YSL3, bien lire attentivement toutes les consignes et les avertissements signalés sur le chargeur, sur la batterie ou dans ce manuel.

**⚠ PRÉCAUTION**  
**UTILISER EXCLUSIVEMENT DES MODÈLES DE BATTERIES metabo HPT DE SÉRIE MULTI-VOLT. LES AUTRES MODÈLES DE BATTERIE POURRAIENT EXPLOSER OU PROVOQUER DES BLESSURES.**

Pour éviter tout risque de blessure, observer les consignes suivantes:

**⚠ AVERTISSEMENT**  
**Une utilisation incorrecte de la batterie ou du chargeur de batterie risque de provoquer des blessures. Pour éviter tout risque de blessure:**

1. **NE JAMAIS** démonter la batterie.
2. **NE JAMAIS** jeter la batterie au feu, même si elle est endommagée ou complètement usée. La batterie risque d'exploser au feu.
3. **NE JAMAIS** court-circuiter la batterie.
4. **NE JAMAIS** insérer d'objets dans les ouïes d'aération du chargeur. Il pourrait en résulter un choc électrique ou des dommages du chargeur.
5. **NE JAMAIS** effectuer la recharge à l'extérieur. Eloigner la batterie des rayons directs du soleil et utiliser exclusivement dans des endroits à faible humidité et bien aérés.
6. **NE JAMAIS** effectuer la recharge si la température est inférieure à 32°F (0°C) ou supérieure à 104°F (40°C).
7. **NE JAMAIS** raccorder deux chargeurs de batterie ensemble.
8. **NE JAMAIS** insérer de corps étrangers dans l'orifice de la batterie ou du chargeur de batterie.
9. **NE JAMAIS** utiliser de transformateur-élévateur pour la recharge.
10. **NE JAMAIS** utiliser l'alimentation CC pour charger.
11. **NE JAMAIS** ranger la batterie ou le chargeur de batterie dans un endroit où la température peut atteindre ou dépasser 104°F (40°C), comme à l'intérieur d'une boîte métallique ou d'une voiture.

12. **NE JAMAIS** exposer la batterie ou le chargeur de batterie à la pluie ou l'humidité.
13. **TOUJOURS** alimenter le chargeur sur une prise secteur domestique standard (120 volts). L'utilisation du chargeur à une autre tension peut entraîner une surchauffe et endommager le chargeur.
14. **TOUJOURS** attendre au moins 15 minutes entre deux recharges pour éviter toute surchauffe du chargeur.
15. **TOUJOURS** débrancher le cordon d'alimentation de la prise secteur lorsqu'on ne se sert pas du chargeur.

## PRÉCAUTIONS RELATIVES A LA BATTERIE AU LITHIUM ION

Pour prolonger sa durée de vie, la batterie lithium-ion est équipée d'une fonction de protection qui coupe automatiquement l'alimentation.

Dans les cas 1 à 3 décrits ci-dessous, il est possible que le moteur s'arrête lorsque vous utilisez ce produit, même si vous actionnez le commutateur. Il ne s'agit pas d'un dysfonctionnement, mais du fonctionnement normal de la protection.

1. Lorsque la charge restante de la batterie diminue, le moteur s'arrête.  
 Dans ce cas de figure, chargez immédiatement la batterie.
2. En cas de surcharge de l'outil, actionnez le commutateur de l'outil et éliminez les causes de la surcharge. Vous pouvez ensuite recommencer à utiliser l'outil.
3. En cas de surchauffe due à un travail trop intensif, l'alimentation de la batterie peut se couper.  
 Dans ce cas, arrêtez toute utilisation de la batterie et laissez-la refroidir. Vous pouvez ensuite recommencer à l'utiliser.

En outre, respectez la précaution et l'avertissement suivants.

## ⚠ AVERTISSEMENT

Afin d'éviter toute fuite de la batterie, génération de chaleur, émission de fumée, explosion et inflammation, respectez scrupuleusement les précautions suivantes :

1. Assurez-vous que les copeaux et la poussière ne s'accumulent pas sur la batterie.
- Lorsque vous travaillez, assurez-vous que les copeaux et la poussière ne tombent pas sur la batterie.
  - Assurez-vous que les copeaux et la poussière qui tombent sur l'outil lorsque vous travaillez ne s'accumulent pas sur la batterie.
  - Ne conservez pas une batterie inutilisée dans un endroit qui est exposé aux copeaux et à la poussière.
  - Avant de stocker une batterie, retirez tous les copeaux et la poussière qui ont pu y adhérer et ne la conservez pas avec des pièces métalliques (vis, clous, etc.).

2. Ne percez pas la batterie à l'aide d'un objet pointu tel qu'un clou. Ne la frappez pas à l'aide d'un marteau. Ne marchez pas dessus, ne la lancez pas et ne la soumettez pas un à choc physique important.
3. N'utilisez pas une batterie dont l'extérieur est déformé ou laisse penser qu'elle est défectueuse.
4. N'utilisez pas la batterie à d'autres fins que celle spécifiée.
5. En cas d'échec du chargement d'une batterie, même après un certain délai, arrêtez immédiatement le rechargement.
6. N'exposez pas la batterie à des températures ou à une pression élevées (four à micro-ondes, séchoir, conteneur sous haute pression).
7. Maintenez à la batterie à l'écart de toute flamme en cas de détection d'une fuite ou d'une mauvaise odeur.
8. Ne pas utiliser à proximité d'une source puissante d'électricité statique.
9. En cas de fuite de la batterie, de mauvaise odeur, de génération de chaleur, de décoloration, de déformation ou d'anomalie en cours d'utilisation, de rechargement ou d'entreposage, ôtez immédiatement la batterie de l'équipement ou du chargeur de batterie et ne l'utilisez plus.
10. Ne plongez jamais la batterie dans l'eau ou tout autre liquide, et ne laissez aucun liquide s'infiltrer à l'intérieur de la batterie. L'entrée de liquides conducteurs, tel que de l'eau, peut causer des dommages pouvant entraîner un incendie ou une explosion. Rangez votre batterie dans un endroit frais et sec, à l'écart d'objets combustibles et inflammables. Les atmosphères corrosives doivent être évitées.

## ⚠ PRÉCAUTION

1. En cas de projection dans les yeux de liquide ayant fuit de la batterie, ne vous frottez pas les yeux, rincez-les à l'eau claire et contactez immédiatement un médecin.  
En l'absence de traitement, le liquide peut détériorer l'oeil.
2. En cas de projection de liquide ayant fuit de la batterie sur votre peau ou vos vêtements, rincez immédiatement ces derniers à l'eau claire (au robinet).  
Le liquide peut provoquer une irritation de la peau.
3. En cas de détection de rouille, de mauvaise odeur, de surchauffe, de décoloration, de déformation et/ou autres anomalies lors de la première utilisation de la batterie, n'utilisez pas cette dernière et renvoyez-la au fournisseur ou au fabricant.

## ⚠ AVERTISSEMENT

Un court-circuit risque de se produire et causer un incendie, si un corps étranger conducteur d'électricité passe dans les bornes de la pile au lithium-ion. Veuillez respecter les consignes suivantes pour le rangement de la pile.

- Ne pas mettre d'objet conducteur d'électricité, tels que clous, fil d'acier, de cuivre ou autre fil dans la mallette de rangement.
- Soit ranger le bloc de pile avec l'outil électrique ou de manière sécuritaire en l'enfonçant dans le couvercle jusqu'à ce que les orifices de ventilation soient dissimulés afin d'éviter les courts-circuits. (Voir la Fig. 3)

## À PROPOS DU TRANSPORT DE LA BATTERIE LITHIUM-ION

Lors du transport d'une batterie lithium-ion, veuillez observer les précautions suivantes.

## ⚠ AVERTISSEMENT

Informez la société de transport qu'un paquet contient une batterie lithium-ion, informez la société de sa puissance de sortie et suivez les instructions de la société de transport lors de l'organisation du transport.

- Les batteries lithium-ion qui dépassent une puissance de sortie de 100 Wh font partie de la classification de transport des produits dangereux et nécessitent l'application de procédures spéciales.
- Pour un transport vers l'étranger, vous devez vous conformer aux lois internationales et aux normes et réglementations en vigueur dans le pays de destination.
- Si le BSL36B18 est installé dans l'outil électrique, la puissance utile dépassera 100 Wh et l'appareil sera classé comme Produits dangereux pour la classification fret transporté.

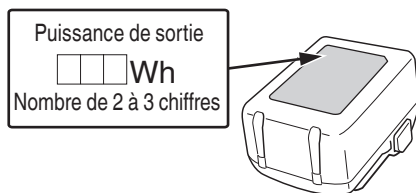


Fig. 1

## PRÉCAUTIONS LORS DE LA CONNEXION DU DISPOSITIF USB

Lorsqu'un problème inattendu survient, les données sur un dispositif USB connecté à ce produit risque d'être endommagées ou perdues. Toujours veiller à sauvegarder toutes les données contenues dans le dispositif USB avant de l'utiliser avec ce produit.

Gardez à l'esprit que notre société décline toute responsabilité relative pour toute donnée enregistrée sur un dispositif USB qui est corrompue ou perdue, ni pour tout dommage susceptible de se produire sur un périphérique raccordé.



**CONSERVER CES INSTRUCTIONS  
ET  
LES METTRE A LA DISPOSITION DES AUTRES UTILISATEURS  
ET  
PROPRIETAIRES DE CET OUTIL!**

## DESCRIPTION FONCTIONNELLE

### REMARQUE

Les informations contenues dans ce mode d'emploi sont conçues pour assister l'utilisateur dans une utilisation sans danger et un entretien de l'outil motorisé.

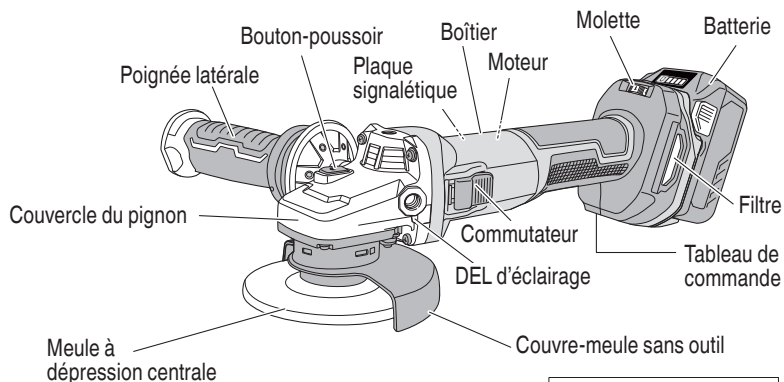
**NE JAMAIS** utiliser ni entreprendre une révision de l'outil sans avoir d'abord lu et compris toutes les instructions de sécurité contenues dans ce manuel.

Certaines illustrations dans ce mode d'emploi peuvent montrer des détails ou des accessoires différents de ceux de l'outil motorisé utilisé.

### NOM DES PARTIES

1. Meulense sans fil

○ G3612DVE



○ G3612DVF

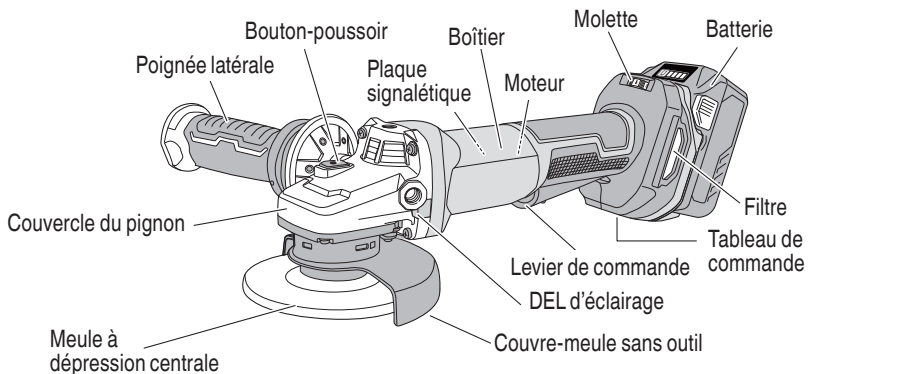
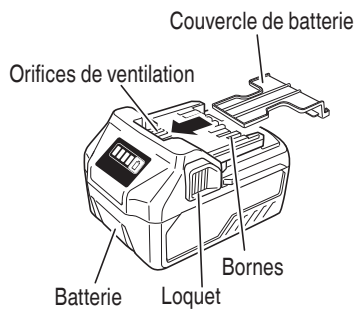


Fig.2

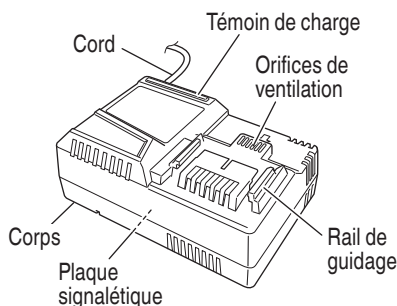
2. Batterie  
(accessoires en option...vendus séparément)



<BSL36A18>

Fig. 3

3. Chargeur de batterie  
(accessoires en option...vendus séparément)



<UC18YSL3>

Fig. 4

**SPECIFICATIONS**

1. Meuleuse sans fil

Modèle	G3612DVE	G3612DVF	G3615DVF
Moteur	Moteur à courant continu sans balais		
Vitesse nominale	Mode de transmission : 3 200–10 000 /min Mode auto : 5 500 /min		Mode de transmission : 3 200–8 000 /min Mode auto : 5 500 /min
Taille de la meule: Taille de la meule: Épaisseur Diamètre du trou central	4-1/2" (115 mm) 1/4" (6 mm) 7/8" (22,23 mm)		6" (150 mm) 1/4" (6 mm) 7/8" (22,23 mm)
Vitesse périphérique	80 m/s		
Batterie*	Type	Batterie au Li-ion modèle BSL36A18	
	Tension	CC 36V / 18V (Permutation automatique**)	
Poids	6,6 lbs (3,0 kg) (BSL36A18 attaché) 7,3 lbs (3,3 kg) (BSL36B18 attaché)		6,8 lbs (3,1 kg) (BSL36A18 attaché) 7,5 lbs (3,4 kg) (BSL36B18 attaché)

\* Les batteries existantes (séries BSL3660/3620/3626, BSL18 et BSL14) ne peuvent pas être utilisées avec cet outil.

\*\* L'outil lui-même permute automatiquement.

2. Chargeur de batterie

Modèle	UC18YSL3
Source d'alimentation d'entrée	Monophasée : CA 120 V 60 Hz
Durée de recharge (à une température de 68°F (20°C))	BSL36A18 : Environ 32 min
Tension de charge	CC 14,4 V–18 V
Courant de charge	CC 8,0 A
Poids	1,3 lbs. (0,6 kg)

**REMARQUE:** La durée de recharge peut varier en fonction de la température et de la tension de la source d'alimentation.

## Commande électrique

- Démarrage en douceur
- Protection contre le recul  
La fonction de protection contre le recul coupe l'alimentation du moteur et arrête l'outil électrique en cas de chute soudaine de la vitesse de rotation de la meule pendant l'opération (par exemple, si la meule se verrouille pendant l'opération etc.)
- Protection contre les surcharges  
Pendant la tâche, si une charge dépassant un certain niveau est appliquée ou si le disque de meulage est arrêté pendant un certain temps, le moteur s'arrêtera pour protéger l'outil et par mesure de sécurité. Placez l'interrupteur sur la position d'arrêt, puis replacez-le sur la position de marche pour démarrer l'outil.
- Fonction de commande de récupération de la rotation  
Pendant la tâche, si l'outil est appuyé trop vigoureusement contre la surface et que le moteur s'arrête, soulevez l'outil et allégez la charge pour que la rotation reprenne. Selon le disque de meulage utilisé et les conditions de travail, la commande de récupération de la rotation peut être arrêtée par la protection contre les surcharges.

**⚠ PRÉCAUTION**  
Cette fonction ne fonctionne pas si vous utilisez ET36A.

- Protection contre la surchauffe  
Ce dispositif de protection coupe l'alimentation du moteur et arrête l'outil électrique en cas de surchauffe du moteur pendant le fonctionnement. Lorsque la fonction de protection contre la surchauffe est activée, le moteur peut s'arrêter. Dans ce cas, relâchez le commutateur de l'outil et laissez le refroidir quelques minutes. Après cela, vous pouvez utiliser l'appareil de nouveau.
- Fonction de prévention de redémarrage  
Quand l'alimentation est encore en marche, l'outil ne redémarrera pas quand une batterie est installée. Cette fonction peut être annulée une fois que l'outil est hors tension.
- Fonction de freinage  
Le frein se met en marche lorsque le commutateur est éteint.

**⚠ PRÉCAUTION**  
Cette fonction ne fonctionne pas si vous utilisez ET36A.

- Fonction d'arrêt <G3612DVE>  
Quand la fonction d'arrêt est activée, il se peut que le moteur s'arrête. Dans ce cas, relâchez le commutateur d'outil. Après cela, vous pouvez l'utiliser de nouveau.

## ASSEMBLAGE ET FONCTIONNEMENT

### UTILISATIONS

- Retrait des ébarbures de moulage et finition de divers type de matériaux en métal, bronze et aluminium ainsi que des moulages.
- Meulage des sections soudées ou des sections coupées à l'acétylène.
- Meulage des résines synthétiques, des ardoises, des briques, du marbre.

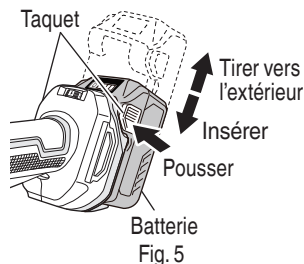
**⚠ AVERTISSEMENT**  
Pour éviter tout risque de blessures graves, **NE JAMAIS** utiliser cette meuleuse avec des meules-boisseaux et/ou des lames de scie.

### MÉTHODE DE RETRAIT ET D'INSTALLATION DE LA BATTERIE

1. Retrait de la batterie  
Maintenir fermement la poignée et pousser le taquet de la batterie pour l'enlever (voir Fig. 5).

**⚠ PRÉCAUTION**  
Ne jamais court-circuiter la batterie.

2. Mise en place de la batterie  
Insérer la batterie tout en respectant la polarité (voir Fig. 5).



Batterie  
Fig. 5

## MÉTHODE DE RECHARGE

### REMARQUE

Avant de brancher le chargeur dans la prise, vérifier les points suivants.

- La tension de la source d'alimentation est indiquée sur la plaque signalétique.
- Le cordon n'est pas endommagé.

### ⚠ AVERTISSEMENT

**Ne pas effectuer de recharge à une tension supérieure à la tension indiquée sur la plaque signalétique. Cela brûlerait le chargeur.**

1. Brancher le cordon d'alimentation du chargeur sur une prise secteur.  
Quand vous raccordez la fiche du chargeur à une prise murale, la lampe témoin clignote en rouge. (À intervalles d'une seconde)



**⚠ AVERTISSEMENT**  
**Ne pas utiliser le cordon électrique s'il est endommagé. Le faire réparer immédiatement.**

2. Insérer la batterie dans le chargeur de batterie.  
Insérer la batterie dans le chargeur de batterie comme indiqué à la Fig. 6.

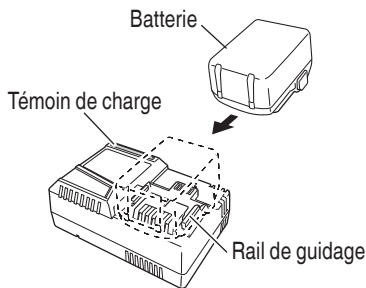


Fig. 6

3. Recharge

Lorsque vous insérez une batterie dans le chargeur, le témoin de charge clignote en bleu.  
Lorsque la batterie est complètement chargée, le témoin de charge s'allume en vert. (Voir Tableau 2)

- (1) Indication du témoin de charge

Les indications du témoin de charge sont expliquées dans le Tableau 2, en fonction de l'état du chargeur de batterie ou de la batterie.

Tableau 2

État du chargeur	Statut du témoin lumineux	Signification des indications
Avant la charge	Allumé/éteint à intervalles de 0,5 seconde (ROUGE) ■ ■ ■ ■	Branché dans une source d'alimentation *1
Pendant la charge	S'allume pendant 0,5 seconde à intervalles d'une seconde (BLEU) ■ ■ ■ ■	Chargé à moins de 50%
	S'allume pendant 1 seconde à intervalles de 0,5 seconde (BLEU) ■ ■ ■ ■	Chargé à moins de 80%
	S'allume sans interruption (BLEU) ■ ■ ■ ■	Chargé à plus de 80%
Charge terminée	S'allume sans interruption (VERT) ■ ■ ■ ■ ■ ■ ■ ■ (Signal sonore continu : environ 6 secondes)	
Veille en surchauffe	Allumé/éteint à intervalles de 0,3 seconde (ROUGE) ■ ■ ■ ■	Batterie en surchauffe. Impossible de charger. *2
Charge impossible	Allumé/éteint à intervalles de 0,1 seconde (VIOLET) ■ ■ ■ ■ ■ ■ ■ ■ ■ ■ ■ ■ ■ ■ (Signal sonore intermittent : environ 2 secondes)	Anomalie de la batterie ou du chargeur *3

\*1 Si le voyant rouge continue de clignoter même après avoir branché le chargeur, vérifiez que la batterie est complètement insérée.

\*2 Bien que la charge démarre une fois que la batterie a refroidi, même lorsque la batterie est laissée en place, la meilleure pratique consiste à retirer la batterie et à la laisser refroidir dans un endroit sombre et bien aéré avant de la charger.

\*3

- Insérez complètement la batterie
- Vérifiez pour vous assurer qu'aucun corps étranger n'est collé sur le support de batterie ou les bornes.

<Si la charge prend beaucoup de temps>

- La charge prendra plus de temps à des températures ambiantes extrêmement basses. Chargez la batterie dans un endroit chaud (comme à l'intérieur).

- Ne bloquez pas la sortie d'air. Autrement, l'intérieur surchauffe, ce qui réduit la performance du chargeur.
  - Si le ventilateur de refroidissement ne fonctionne pas, communiquez avec un centre de service autorisé HiKOKI pour les réparations.
- (2) Au sujet de la température de la batterie rechargeable  
Les températures des batteries rechargeables sont indiquées dans le Tableau 3.  
Laisser refroidir les batteries qui ont chauffé avant de les recharger.

Tableau 3

Batteries rechargeables	Températures de recharge de la batterie
BSL36A18	32°F–122°F (0°C – 50°C)

- (3) Durée de recharge (A 68°F (20°C))

Tableau 4 Temps de recharge

Chargeur	Batterie
UC18YSL3	BSL36A18
	Env. 32 min

## REMARQUE

Le temps de recharge peut varier en fonction de la température ambiante.

4. Débrancher le chargeur de batterie de la prise.

## ⚠ PRECAUTION

**Ne pas débrancher la fiche de la prise en tirant sur le cordon.**  
**Pour éviter tout dommage lorsqu'on débranche la fiche de la prise, bien tenir la fiche proprement dite.**

5. Retirer la batterie du chargeur de batterie.  
Sortir la batterie du chargeur tout en la soutenant de la main.

## REMARQUE

Bien sortir la batterie du chargeur de batterie après usage, et la conserver.

### En ce qui concerne le courant de décharge d'une batterie neuve

Etant donnée que les substances chimiques internes sont restées inactives dans le cas des batteries neuves ou des batteries qui sont restées longtemps inutilisées, le courant de décharge risque d'être très faible lors des première et deuxième utilisations. Ce phénomène est temporaire et le temps de recharge normal sera rétabli quand les batteries auront été rechargées 2 ou 3 fois.

### Comment prolonger la durée de vie des batteries

- (1) Recharger les batteries avant qu'elles ne soient complètement épuisées.  
Quand la puissance de l'outil utilisé faiblit, l'éteindre et recharger la batterie. Si l'outil continue d'être utilisé jusqu'à épuisement du courant électrique, la batterie risque d'être endommagée et sa durée de vie se raccourcira.
- (2) Eviter d'effectuer la recharge sous des températures élevées.  
Une batterie est toujours chaude immédiatement après son utilisation. Si la batterie est rechargée immédiatement après utilisation, les substances chimiques internes risquent de se détériorer et la durée de vie de la batterie se raccourcira. Laisser la batterie refroidir un moment avant de l'utiliser.

## ⚠ PRECAUTION

- Si le chargeur a fonctionné pendant longtemps de suite, il sera chaud, ce qui risque de provoquer des pannes. Lorsque la recharge est terminée, laisser le chargeur refroidir pendant environ 15 minutes avant de passer à la recharge suivante.
- Si la batterie est chargée alors qu'elle est chaude parce qu'elle a été laissée longtemps dans un endroit en plein soleil ou parce qu'elle vient d'être utilisée, le témoin de charge du chargeur s'allume pendant 0,3 seconde, ne s'allume pas pendant 0,3 seconde (éteint pendant 0,3 seconde). Dans une telle éventualité, laisser la batterie refroidir, puis procéder à la recharge.
- Lorsque le témoin de charge clignote (à intervalles de 0,2 seconde), vérifier et retirer les corps étrangers dans l'orifice d'installation de la batterie du chargeur. S'il n'y a pas de corps étrangers, il s'agit probablement d'une anomalie de la batterie ou du chargeur. Les porter au service après-vente agréé.

### CHARGEMENT DU DISPOSITIF USB

## ⚠ AVERTISSEMENT

- Avant l'utilisation, vérifiez que le câble USB ne soit pas défectueux ni endommagé.  
L'utilisation d'un câble USB défectueux ou endommagé peut provoquer des émissions de fumée ou un départ d'incendie.
- Lorsque le produit n'est pas utilisé, couvrir le port USB avec le cache en caoutchouc.  
L'accumulation de poussière, etc. dans le port USB peut provoquer des émissions de fumée ou un départ d'incendie.

**REMARQUE**

- Le temps requis pour la charge sera plus longue lorsque l'on charge un périphérique USB et la batterie en même temps.
- Parfois, il peut y avoir une pause pendant la charge de l'USB.
- Lorsqu'un périphérique USB n'est pas en cours de chargement, mettez le commutateur USB sur arrêt et retirez le périphérique USB du chargeur.  
Le non-respect de cette consigne peut non seulement réduire la durée de vie de la batterie d'un périphérique USB, mais aussi peut engendrer des accidents inattendus.

- (1) Sélectionnez une méthode de charge  
Selon la méthode de charge sélectionnée, soit la batterie est insérée dans le chargeur, ou le câble d'alimentation est branché dans une prise électrique.
  - Chargement d'un périphérique USB à l'aide d'une batterie (Fig. 7-a)
  - Charger un dispositif USB à partir d'une prise électrique (Fig. 7-b)
  - Charger un dispositif USB et une batterie à partir d'une prise électrique (Fig. 7-c)

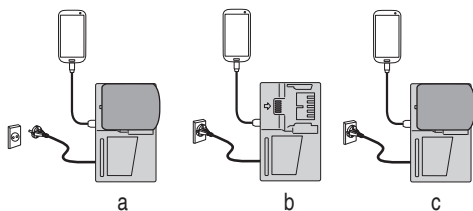


Fig. 7

- (2) Mettez le commutateur d'alimentation USB sur marche (Fig. 8)  
Lorsque vous mettez le commutateur d'alimentation USB sur marche, le témoin d'alimentation USB s'allumera.

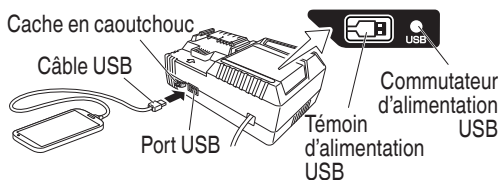


Fig. 8

- (3) Connectez le câble USB. (Fig. 8)  
Tirez sur le cache en caoutchouc et branchez fermement un câble USB disponible dans le commerce (compatible avec le dispositif à recharger) dans le port USB.
- Lorsque le câble d'alimentation n'est pas branché dans une prise électrique, et que la batterie se décharge, l'énergie de sortie s'arrêtera et le témoin d'alimentation USB s'éteindra.
- Lorsque le témoin d'alimentation USB s'éteint, changez la batterie ou branchez le câble d'alimentation dans une prise électrique.
- (4) Lorsque la charge est terminée  
○ Le témoin d'alimentation USB ne s'éteindra pas lorsque le périphérique USB a été complètement chargé.  
Pour vérifier l'état de la charge, vérifiez le périphérique USB.
- Mettez le commutateur d'alimentation USB sur arrêt et débranchez le câble d'alimentation de la prise électrique. (Fig. 8)
- Retirez la batterie du chargeur et placez le cache en caoutchouc sur le port USB.

<Pause de charge d'un dispositif USB>

- Lorsque vous branchez le chargeur pendant la charge de la batterie à un dispositif USB, ou lorsque vous branchez la batterie pendant la charge du chargeur à un dispositif USB, la charge est interrompue pendant environ 5 secondes lorsque la source d'alimentation est déterminée.
- Lorsque la charge de la batterie est terminée, la charge USB est interrompue environ 5 secondes pendant qu'un contrôle est effectué.
- Lorsque la capacité de la batterie restante est extrêmement faible, le chargeur établit la priorité de charge de la batterie et arrête provisoirement la charge USB, mais celle-ci reprend automatiquement lorsque la capacité de la batterie restante atteint un certain niveau.

**AVANT L'UTILISATION**

1. Interrupteur d'alimentation  
S'assurer que l'interrupteur est sur la position OFF (arrêt).
2. Vérifier l'environnement de travail  
S'assurer des points suivants avant d'utiliser l'outil :
  - Il n'y a pas de gaz, de liquides ni d'objets inflammables sur le site de travail.
  - Le meulage de feuilles de métal fines peut engendrer un son très aigu. Pour éviter les bruits de ce genre, placer un tapis de caoutchouc sous la pièce.
  - Eloigner de la pièce tous les enfants et le personnel non autorisé.

3. Montage du capot couvre-meule  
S'assurer de monter le capot couvre-meule avec un angle qui protège le corps de l'opérateur de blessures causées par une pièce de métal cassée.  
[Installation du capot couvre-meule] (Fig. 9)
- Ouvrir et tenir le levier, puis installer le garde-roue de manière à ce que la partie saillante sur le garde-roue soit alignée avec le renforcement du presse-étoupe.
- Tourner le garde-roue à un angle approprié pour l'utilisation, puis relâcher le doigt du levier.
- Tourner le garde-roue à gauche ou à droite pour le bloquer en place.

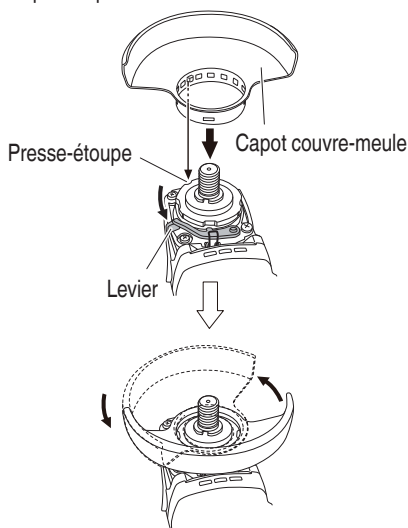


Fig. 9

## ⚠ AVERTISSEMENT

**Si le capot couvre-meule n'est pas correctement fixé, cela risque de provoquer une rupture de la meule et d'entraîner la mort ou des blessures graves.**

4. Avant le montage, inspecter attentivement la meule à dépression centrale pour voir si elle a des fissures, fentes ou autres anomalies. S'assurer qu'elle est solidement fixée et qu'elle est montée correctement. Référez-vous à « Montage et démontage de la meule renforcée à moyeu déporté » (Fig. 18)
5. Essayer la meuleuse avant de l'utiliser.  
Avant de commencer le travail de meulage, essayer la meuleuse en éloignant d'abord toutes les autres personnes de la pièce. S'assurer que le capot couvre-meule est en place et que l'on porte des lunettes de protection. Mettre la meuleuse en marche et s'assurer que la meule tourne en douceur et ne présente pas d'anomalie.

La durée de l'essai de fonctionnement est comme suit:

Quand la meule à dépression centrale a été remplacée.....3 minutes ou plus  
Avant de commencer le travail quotidien ..... 1 minute ou plus

6. Utiliser seulement des meules à dépression centrale à valeur correcte.

Utiliser exclusivement des meules à dépression centrale ayant un régime nominal de **13 300 /min ou plus**.

L'utilisation d'une meule à dépression centrale de valeur inférieure peut conduire à une désintégration de la meule pendant son fonctionnement et causer de sérieuses blessures corporelles.

7. Vérifier le bouton-poussoir.  
S'assurer que le bouton-poussoir n'est pas engagé appuyant dessus deux ou trois fois avant de mettre la meuleuse en marche. (Fig. 10)

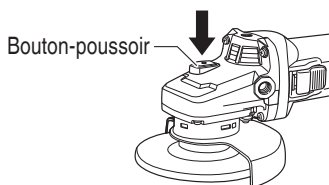


Fig. 10

8. Fixation de la poignée latérale  
Vissez la poignée latérale dans le carter de l'engrenage (Fig. 11).

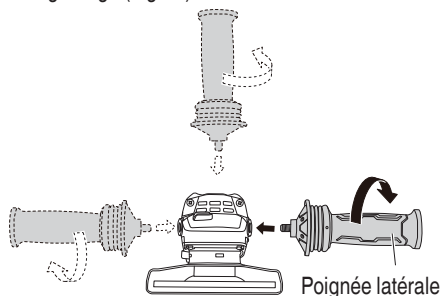


Fig. 11

9. Témoin de batterie résiduelle  
Vous pouvez vérifier la capacité résiduelle de la batterie en appuyant sur le commutateur d'indicateur de batterie résiduelle pour allumer le témoin de l'indicateur. (Fig. 12, Tableau 5)

Il est préférable d'utiliser l'indicateur de batterie résiduelle en tant que guide étant donné qu'il existe de légères différences, par exemple en fonction de la température ambiante et de l'état de la batterie.

De plus, l'indicateur de batterie résiduelle peut être différent de ceux équipés sur un outil ou un chargeur.



Témoin indicateur de batterie résiduelle      Commutateur d'indicateur de batterie résiduelle

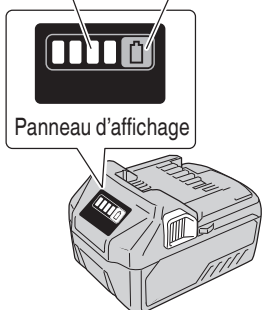


Fig. 12

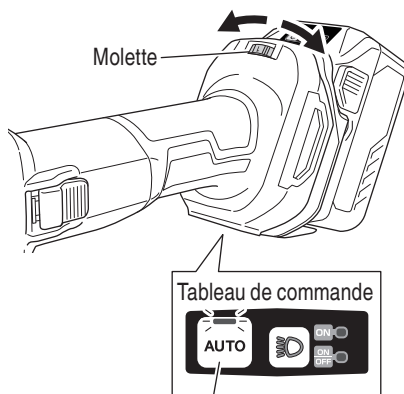
Tableau 5

Statut de la lampe	Puissance batterie résiduelle
	S'allume ; La puissance résiduelle de la batterie est de plus de 75%.
	S'allume ; La puissance résiduelle de la batterie se situe entre 50 et 75%.
	S'allume ; La puissance résiduelle de la batterie se situe entre 25 et 50%.
	S'allume ; La puissance résiduelle de la batterie est de moins de 25%.
	Clignote ; La puissance résiduelle de la batterie est presque nulle. Rechargez la batterie le plus rapidement possible.
	Clignote ; Sortie suspendue en raison d'une température élevée. Retirez la batterie de l'outil et laissez-la refroidir complètement.
	Clignote ; Sortie interrompue en raison d'une défaillance ou un dysfonctionnement. Le problème ne provient peut-être pas de la batterie ; veuillez contacter votre revendeur.

Le témoin lumineux de puissance batterie résiduelle peut s'allumer différemment selon la température ambiante et les caractéristiques de la batterie. Utilisez donc ce tableau comme référence.

**REMARQUE**

- Ne donnez pas de choc violent au panneau de commutation et ne le cassez pas. Cela peut provoquer des défaillances.
- 10. À propos de la fonction de changement de mode (Fig. 13)  
L'appareil a un « Mode de transmission » et un « Mode auto ».  
Vous pouvez changer de mode en appuyant sur le bouton mode auto.  
Ajustez le nombre de tours en mode de transmission au moyen de la molette, tout en vous référant au tableau ci-dessous.
- En mode de transmission, le nombre de tours de la meuleuse peut être réglé selon six stades.  
Lorsque l'appareil fonctionne en mode de transmission, le nombre de tours fixé sera maintenu quels que soient les changements de la charge.
- Avec le mode auto, vous pouvez réduire le bruit et les vibrations en réduisant le nombre maximum de tours en étant à un état sans charge.  
En mode auto, le nombre de tours sera augmenté si la charge devient plus grande durant l'opération. D'autre part, le nombre de tours sera réduit si la charge diminue durant l'opération. (Tableau 6)
- Réglez le mode et le cadran en fonction de l'application.



Commutateur de mode auto

Fig. 13

Tableau 6

État	Nombre de tours (/min)		Utilisation
	G3612DVE G3612DVF	G3615DVF	
1	3 200	3 200	} Ponçage d'acier inoxydable
2	3 900	3 600	
3	5 300	4 600	} Retrait de rouille ou de peinture
4	7 400	5 600	
5	8 600	7 200	} Ponçage, finitions
6	10 000	8 000	
Auto L	5 500	5 500	} Ponçage grossier, coupage
Auto H	10 000	8 000	
Auto L	5 500	5 500	Travaux légers, état de veille
Auto H	10 000	8 000	Ponçage, coupage

Auto L : À vide

Auto H : Pendant le fonctionnement

11. Comment utiliser la DEL d'éclairage

En appuyant sur le commutateur de mode d'éclairage sur le tableau de commande, le mode DEL d'éclairage change comme sur le Tableau 7. Il est indiqué par le voyant vert. (Fig. 14)

Pour éviter la consommation de la batterie, éteindre fréquemment la DEL d'éclairage.

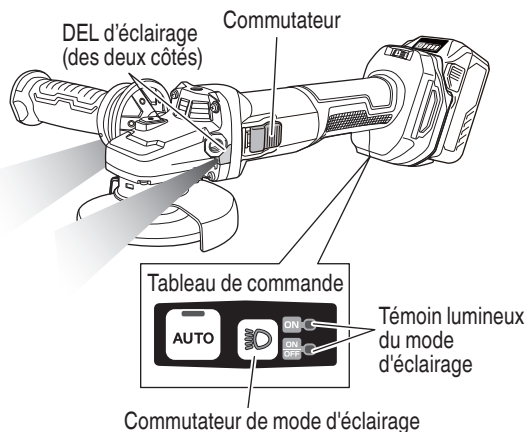


Fig. 14

Tableau 7

	Mode toujours activé	Mode de verrouillage	Mode toujours désactivé
Affichage du panneau			
État	Toujours activé (s'éteint au bout de 60 minutes)	Seul l'éclairage est activé (s'éteint automatiquement environ 10 secondes après avoir relâché l'interrupteur)	Toujours désactivé

**⚠ PRÉCAUTION**

- N'exposez pas vos yeux directement à la lampe en la regardant. Une exposition continue de vos yeux à la lampe pourrait les blesser.
- Essuyer toute poussière ou saleté située sur la lentille du témoin DEL avec un chiffon doux, en faisant attention de ne pas rayer la lentille. Des rayures sur la lentille du témoin DEL peuvent entraîner une baisse de la luminosité.

**REMARQUE**

Pour éviter la consommation de la batterie si l'on oublie d'éteindre la DEL d'éclairage, la lumière s'éteint automatiquement au bout de 60 minutes environ.

12. Messages d'alerte par témoin DEL

Cet appareil dispose de fonctions qui sont conçues pour protéger l'outil lui-même, ainsi que la batterie. Lorsque le commutateur est tiré, si l'une des fonctions de protection est enclenchée pendant le fonctionnement, le témoin DEL clignote comme décrit dans Tableau 8. Lorsque l'une des fonctions de protection est enclenchée, enlever immédiatement votre doigt du commutateur et suivre les instructions décrites sous l'action corrective.



Ne pas appuyer trop fort la roue de meulage sur la surface à meuler. La meuleuse utilise une circuiterie électronique permettant un meulage ample à vitesse élevée par une légère pression. Si une pression anormale ou une trop forte charge est appliquée, le circuit de protection de surcharge agira et la meuleuse s'arrêtera de tourner. Interrompre immédiatement toute opération puis, commuter l'interrupteur d'alimentation sur OFF et de nouveau sur ON, la rotation reprendra ainsi une vitesse régulière.

## ⚠ AVERTISSEMENT

**Ne pas presser avec force la meuleuse sur la surface à rectifier. Une forte pression peut casser la meule et causer de sérieuses blessures. Cela peut aussi endommager la surface en train d'être rectifiée et le moteur de la meuleuse.**

- Utiliser un angle de meulage correct. Meuler seulement avec le rebord de la meule en soulevant la meuleuse de 15° à 30°, comme montré sur la Fig. 17.

## ⚠ PRÉCAUTION

**Ne pas utiliser la surface entière de la meule à dépression centrale. Utiliser seulement le rebord de la meule à dépression centrale.**

- Déplacer la meuleuse dans la direction correcte. Lors de l'utilisation d'une nouvelle meule à dépression centrale dans la direction A (Fig. 17), le rebord de la meule risque de couper la pièce à usiner. Dans ce cas meuler dans la direction B (Fig. 17). Une fois que la meule est usée, la pièce à usiner peut être meulée dans les deux directions.

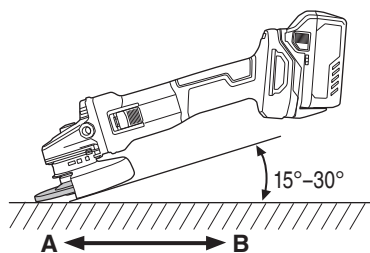


Fig. 17

## REMARQUE

La meule fournie (meule en résine) est classée comme grain de classe A avec une taille de grain de #36. Elle est plus adaptée aux lourds travaux de meulage sur du métal et d'autres types de matériaux.

- Opération d'ajustement pour la finition souhaitée. Pour une finition fine, diminuer la pression en soulevant légèrement la meuleuse. Meuler doucement et à la vitesse appropriée.

## ⚠ PRÉCAUTION

**La meule à dépression centrale en rotation crée une turbulence d'air.**

**Ne pas poser la meuleuse dans des endroits poussiéreux ou sales avant qu'elle ne soit complètement arrêtée.**

## ASSEMBLAGE ET DESASSEMBLAGE DE LA MEULE A DEPRESSION CENTRALE

### ⚠ AVERTISSEMENT

**Veillez à éteindre l'interrupteur et à retirer la batterie.**

- Assemblage
  - Mettre la meuleuse à l'envers de façon que l'arbre soit dirigé vers le haut.
  - Aligner l'entaille de forme ovale de la rondelle de meule (E) avec l'encoche de l'arbre, puis les attacher.
  - Positionner la protubérance de la meule à dépression centrale sur la rondelle de meule (E).
  - Visser l'écrou de meule sur l'arbre.
  - Tout en poussant sur la bouton-poussoir avec une main, verrouiller l'arbre en tournant doucement la meule à dépression centrale avec l'autre main. Serrer l'écrou de meule en utilisant la clef fournie comme montré sur la Fig. 18.

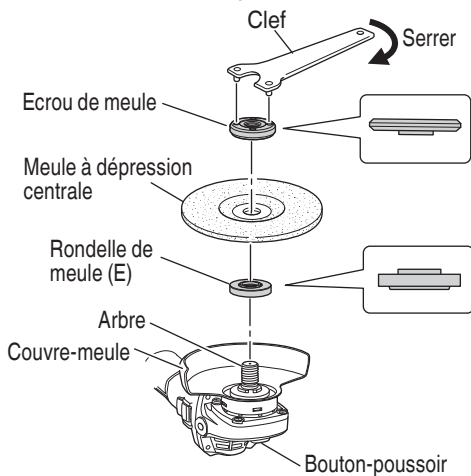


Fig. 18

### ⚠ PRÉCAUTION

**Serrer l'écrou de meule fermement et s'assurer que la meule à dépression centrale n'oscille pas.**

- Désassemblage. Pour retirer la meule à dépression centrale, il suffit de suivre la procédure ci-dessus dans l'ordre inverse.

## ENTRETIEN ET INSPECTION

- ⚠ AVERTISSEMENT:**
- **Veillez à éteindre l'interrupteur et à retirer la batterie.**
  - **L'utilisation d'une meule fissurée, déformée ou endommagée risque de provoquer une rupture de la meule et d'entraîner la mort ou des blessures graves.**

1. Remplacement de la meule à dépression centrale  
Remplacer la meule à dépression centrale quand elle est usée sur environ 2-3/8" (60 mm) du diamètre extérieur. Vérifier qu'il n'y a pas de fissure ni aucun dommage à la meule à dépression centrale. S'il y avait une fissure ou une modification de la meule, la remplacer immédiatement.
2. Vérifier les vis  
Des vis mal serrées sont dangereuses. Les inspecter régulièrement et vérifier qu'elles sont serrées à fond.

- ⚠ PRÉCAUTION**  
**Il serait extrêmement dangereux d'utiliser cet outil électrique avec des vis mal serrées.**

3. Vérifier s'il y a de la poussière  
Enlever la poussière avec un chiffon doux ou un chiffon humecté d'eau savonneuse. Ne pas utiliser de décolorant, chlorure, essence ou diluant, car ces produits pourraient endommager le plastique.
4. Inspection des bornes (outil et batterie)  
Assurez-vous qu'il n'y a pas de copeaux ou de poussières accumulés sur les bornes.  
À l'occasion, vérifier avant, pendant et après le fonctionnement.

- ⚠ PRÉCAUTION**  
Retirez tous les copeaux ou la poussière qui se sont accumulés sur les bornes.  
Le non-respect de cette consigne pourrait provoquer un dysfonctionnement.

5. Nettoyage et inspection du filtre

- ⚠ AVERTISSEMENT**  
**Portez des lunettes de protection et un masque anti-poussière lors du nettoyage du filtre avec un pistolet à air comprimé.**  
**Ne pas respecter cette consigne peut entraîner une inhalation ou une exposition des yeux aux débris ou à la poussière.**

Après utilisation, retirez les débris ou la poussière éventuellement collés au filtre à l'aide d'une brosse douce. (Fig. 19) Vérifiez périodiquement le filtre pour vous assurer qu'il n'est pas rayé, ébréché ou déchiré. Si le filtre est endommagé de quelque façon que ce soit, remplacez-le par un nouveau filtre.

### REMARQUE

- Si la maille est bouchée et que les débris ou la poussière ne peuvent pas être retirés, détachez le filtre et nettoyez-le avec un pistolet pneumatique ou autre (Fig. 20).
- Après le nettoyage, veiller à bien fixer le filtre.

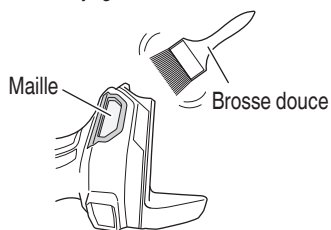


Fig. 19

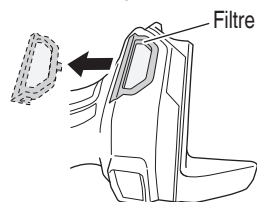


Fig. 20

6. Entretien du moteur  
La bobine du moteur est une pièce importante de l'appareil. Assurez-vous qu'il ne soit pas endommagé ou en contact avec de l'huile ou de l'eau.

### REMARQUE

Pour expulser les débris et la poussière, faites tourner régulièrement le moteur sans charge.

7. Mise au rebut d'une batterie usée

## **AVERTISSEMENT**

**Ne pas jeter la batterie usée aux ordures ménagères. La batterie risque d'exploser si elle est incinérée. L'appareil que vous avez acheté renferme une batterie rechargeable. La batterie est recyclable. Lorsqu'elle a atteint sa limite de service, selon les lois des états et les lois locales, il peut être illégal de jeter cette batterie aux ordures ménagères. Vérifier auprès de son service de ramassage d'ordures les options de recyclage et la procédure correcte de mise au rebut.**

8. Rangement

Ranger dans un lieu dont la température est inférieure à 40°C (104°F), et hors de portée des enfants.

## **REMARQUE**

Stockage des batteries au lithium-ion

Assurez-vous que les batteries au lithium-ion ont été entièrement chargées avant de les stocker.

Le stockage prolongé (3 mois ou plus) de batteries faiblement chargées peut entraîner une détérioration des performances, réduisant considérablement la durée d'autonomie des batteries alors incapables de tenir une charge.

Il est cependant possible de recouvrer la capacité d'autonomie d'une batterie considérablement endommagée en alternant deux à cinq fois charge et utilisation.

Si la durée d'autonomie de la batterie reste extrêmement courte malgré les charges et utilisations consécutives, considérez la batterie en fin de vie et procurez-vous en une neuve.

9. Entretien et réparation

Tous les outils motorisés de qualité auront éventuellement besoin d'une réparation ou du remplacement d'une pièce à cause de l'usure normale de l'outil. Pour assurer que seules des pièces de rechange autorisées seront utilisées, tous les entretiens et les réparations doivent être effectués uniquement par UN CENTRE DE SERVICE metabo HPT AUTORISE.

## **PRÉCAUTION**

**Lors de l'utilisation et de l'entretien d'un outil électrique, respecter les règlements et les normes de sécurité en vigueur dans le pays en question.**

## **Avis important sur les batteries pour outils électriques sans fil metabo HPT**

Toujours utiliser une de nos batteries originales spécifiées. Nous ne saurions garantir la sécurité et la performance de notre outil électrique sans fil s'il est utilisé avec une batterie autre que celle que nous avons spécifié, ou encore si la batterie est démontée et modifiée (par exemple, le démontage et remplacement des cellules ou autres composants internes).

## ACCESSOIRES

### ⚠ AVERTISSEMENT

- Ne jamais utiliser de pièces d'accessoires autres que ceux mentionnés ci-dessous.
- L'utilisation de tout autre accessoire que ceux mentionnés ci-dessous ou de tout équipement non conçu pour cet outil, tel qu'une meule-boisbeau, une meule en cuvette ou une lame de scie est dangereuse et peut provoquer des blessures ou des dommages du matériel.

### REMARQUE

Les accessoires sont sujets à changement sans obligation de la part de metabo HPT.

### ACCESSOIRES STANDARD

G3612DVE G3612DVF G3615DVF (NNS)	○ Meule à dépression centrale (G3612DVE, G3612DVF seulement) ..... 1 4-1/2" (115 mm) dia. extérieur x 1/4" (6 mm) épaisseur x 7/8" (22,23 mm) trou central (No. de code 316821)
	○ Meule à dépression centrale (G3615DVF) ..... 1 6" (150 mm) dia. extérieur x 1/4" (6 mm) épaisseur x 7/8" (22,23 mm) trou central (No. de code 379594)
	○ Clef (No. de code 938332Z) ..... 1
	○ Poignée latérale (No. de code 336865) ..... 1
	○ Sac (No. de code 328849)..... 1
La batterie, le chargeur de batterie et le couvercle de la batterie ne sont pas inclus.	

### REMARQUE

Les spécifications sont sujettes à modification sans aucune obligation de la part de metabo HPT.

## INSTRUCCIONES IMPORTANTES SOBRE SEGURIDAD

Antes de utilizar o de realizar cualquier trabajo de mantenimiento de esta herramienta eléctrica, lea y comprenda todas las precauciones de seguridad, advertencias e instrucciones de funcionamiento de este Manual de instrucciones.

La mayoría de los accidentes producidos en la operación y el mantenimiento de una herramienta eléctrica se deben a la falta de observación de las normas o precauciones de seguridad. Los accidentes normalmente podrán evitarse reconociendo una situación potencialmente peligrosa a tiempo y siguiendo los procedimientos de seguridad apropiados.

Las precauciones básicas de seguridad se describen en la sección "SEGURIDAD" de este Manual de instrucciones y en las secciones que contienen las instrucciones de operación y mantenimiento.

Para evitar lesiones o el daño de la herramienta eléctrica, los riesgos están identificados con ADVERTENCIAS en dicha herramienta y en este Manual de instrucciones.

No utilice **NUNCA** esta herramienta eléctrica de ninguna forma que no esté específicamente recomendada por metabo HPT.

## SIGNIFICADO DE LAS PALABRAS DE SEÑALIZACIÓN

**ADVERTENCIA** indica situaciones potencialmente peligrosas que, si se ignoran, pueden resultar en la muerte o en lesiones de gravedad.

**PRECAUCIÓN** indica situaciones potencialmente peligrosas que, de no evitarse, pueden resultar en lesiones menores o moderadas, o causar daños en la herramienta eléctrica.

**NOTA** acentúa información esencial.

# SEGURIDAD

## ADVERTENCIAS DE SEGURIDAD GENERAL DE LA HERRAMIENTA ELÉCTRICA

### ADVERTENCIA

**Lea todas las instrucciones y todas las advertencias de seguridad.**

Si no se siguen las advertencias e instrucciones, podría producirse una descarga eléctrica, un incendio y/o daños graves.

**Guarde todas las advertencias e instrucciones para futura referencia.**

El término "herramienta eléctrica" en las advertencias hace referencia a la herramienta eléctrica que funciona con la red de suministro (con cable) o a la herramienta eléctrica que funciona con pilas (sin cable).

#### 1) Seguridad en el área de trabajo

a) **Mantenga la zona de trabajo limpia y bien iluminada.**

Las zonas desordenadas o oscuras pueden provocar accidentes.

b) **No utilice las herramientas eléctricas en entornos explosivos como, por ejemplo, en presencia de líquidos inflamables, gases o polvo.**

Las herramientas eléctricas crean chispas que pueden hacer que el polvo desprenda humo.

c) **Mantenga a los niños y transeúntes alejados cuando utilice una herramienta eléctrica.**

Las distracciones pueden hacer que pierda el control.

#### 2) Seguridad eléctrica

a) **Los enchufes de las herramientas eléctricas tienen que ser adecuados a la toma de corriente.**

**No modifique el enchufe.**

**No utilice enchufes adaptadores con herramientas eléctricas conectadas a tierra.**

Si no se modifican los enchufes y se utilizan tomas de corriente adecuadas se reducirá el riesgo de descarga eléctrica.

b) **Evite el contacto corporal con superficies conectadas a tierra como tuberías, radiadores y frigoríficos.**

Hay mayor riesgo de descarga eléctrica si su cuerpo está en contacto con el suelo.

c) **No exponga las herramientas eléctricas a la lluvia o a la humedad.**

La entrada de agua en una herramienta eléctrica aumentará el riesgo de descarga eléctrica.

d) **No utilice el cable incorrectamente. No utilice el cable para transportar, tirar de la herramienta eléctrica o desenchufarla.**

**Mantenga el cable alejado del calor, del aceite, de bordes afilados o piezas móviles.**

Los cables dañados o enredados aumentan el riesgo de descarga eléctrica.



- e) **Cuando utilice una herramienta eléctrica al aire libre, utilice un cable prolongador adecuado para utilizarse al aire libre.**  
La utilización de un cable adecuado para usarse al aire libre reduce el riesgo de descarga eléctrica.
- f) **Si no se puede evitar el uso de una herramienta eléctrica en un lugar húmedo, utilice un suministro protegido mediante un dispositivo de corriente residual (RCD).**  
El uso de un RCD reduce el riesgo de descarga eléctrica.
- 3) **Seguridad personal**
- a) **Esté atento, preste atención a lo que hace y utilice el sentido común cuando utilice una herramienta eléctrica.**  
**No utilice una herramienta eléctrica cuando esté cansado o esté bajo la influencia de drogas, alcohol o medicación.**  
La distracción momentánea cuando utiliza herramientas eléctricas puede dar lugar a importantes daños personales.
- b) **Utilice un equipo de protección. Utilice siempre una protección ocular.**  
El equipo de protección como máscara para el polvo, zapatos de seguridad antideslizantes, casco o protección para oídos utilizado para condiciones adecuadas reducirá los daños personales.
- c) **Evite un inicio involuntario. Asegúrese de que el interruptor está en "off" antes de conectar la herramienta a una fuente de alimentación y/o batería, cogerla o transportarla.**  
El transporte de herramientas eléctricas con el dedo en el interruptor o el encendido de herramientas eléctricas con el interruptor encendido puede provocar accidentes.
- d) **Retire las llaves de ajuste antes de encender la herramienta eléctrica.**  
Si se deja una llave en una pieza giratoria de la herramienta eléctrica podrían producirse daños personales.
- e) **No se extralimite. Mantenga un equilibrio adecuado en todo momento.**  
Esto permite un mayor control de la herramienta eléctrica en situaciones inesperadas.
- f) **Vístase adecuadamente. No lleve prendas sueltas o joyas. Mantenga el pelo, la ropa y los guantes alejados de las piezas móviles.**  
La ropa suelta, las joyas y el pelo largo pueden pillarse en las piezas móviles.
- g) **Si se proporcionan dispositivos para la conexión de extracción de polvo e instalaciones de recogida, asegúrese de que están conectados y se utilizan adecuadamente.**  
La utilización de un sistema de recogida de polvo puede reducir los riesgos relacionados con el polvo.
- 4) **Utilización y mantenimiento de las herramientas eléctricas**
- a) **No fuerce la herramienta eléctrica. Utilice la herramienta eléctrica correcta para su aplicación.**  
La herramienta eléctrica correcta trabajará mejor y de forma más segura si se utiliza a la velocidad para la que fue diseñada.
- b) **No utilice la herramienta eléctrica si el interruptor no la enciende y apaga.**  
Las herramientas eléctricas que no pueden controlarse con el interruptor son peligrosas y deben repararse.
- c) **Antes de hacer ajustes, cambiar accesorios o almacenar las herramientas eléctricas, desconecte el enchufe de la fuente eléctrica y/o las baterías de la herramienta.**  
Estas medidas de seguridad preventivas reducen el riesgo de que la herramienta eléctrica se ponga en marcha accidentalmente.
- d) **Guarde las herramientas eléctricas que no se utilicen para que no las cojan los niños y no permita que utilicen las herramientas eléctricas personas no familiarizadas con las mismas o con estas instrucciones.**  
Las herramientas eléctricas son peligrosas si son utilizadas por usuarios sin formación.
- e) **Mantenimiento de las herramientas eléctricas. Compruebe si las piezas móviles están mal alineadas o unidas, si hay alguna pieza rota u otra condición que pudiera afectar al funcionamiento de las herramientas eléctricas.**  
**Si la herramienta eléctrica está dañada, llévela a reparar antes de utilizarla.**  
Se producen muchos accidentes por no realizar un mantenimiento correcto de las herramientas eléctricas.
- f) **Mantenga las herramientas de corte afiladas y limpias.**  
Las herramientas de corte correctamente mantenidas con los bordes de corte afilados son más fáciles de controlar.
- g) **Utilice la herramienta eléctrica, los accesorios y las brocas de la herramienta, etc. de acuerdo con estas instrucciones, teniendo en cuenta las condiciones laborales y el trabajo que se va a realizar.**  
La utilización de la herramienta eléctrica para operaciones diferentes a pretendidas podría dar lugar a una situación peligrosa.
- 5) **Utilización y cuidado de las herramientas a pilas**
- a) **Recargue sólo con el cargador especificado por el fabricante.**  
Un cargador que es apto para un tipo de paquete de pilas podría crear un riesgo de incendio cuando se utiliza con otro paquete de pilas.
- b) **Utilice herramientas eléctricas sólo con paquetes de pilas específicamente diseñados.**

La utilización de otros paquetes de pilas podría crear riesgo de daños e incendio.

- c) **Cuando no se utilice el paquete de pilas, manténgalo alejado de otros objetos metálicos como clips, monedas, llaves, clavos, tornillos u otros objetos metálicos pequeños que puedan hacer una conexión de un terminal a otro.**

Si se acortan los terminales de las pilas podrían producirse quemaduras o incendios.

- d) **Bajas condiciones abusivas, podría expulsarse líquido de la pila; evite todo contacto. En caso de que se produzca contacto accidentalmente, enjuague con agua. Si entra líquido en los ojos, busque ayuda médica.**

El líquido expulsado de la pila podría causar irritación o quemaduras.

## 6) Revisión

- a) **Lleve su herramienta a que la revise un experto cualificado que utilice sólo piezas de repuesto idénticas.**

Esto garantizará el mantenimiento de la seguridad de la herramienta eléctrica.

## ADVERTENCIAS DE SEGURIDAD PARA MOLER

- a) **Esta herramienta eléctrica está diseñada para utilizarse como amoladora. Lea todas las advertencias de seguridad, instrucciones, ilustraciones y especificaciones proporcionadas con esta herramienta.**

Si no se siguen todas las instrucciones indicadas a continuación, podría producirse una descarga eléctrica, un incendio y/o daños graves.

- b) **No se recomienda realizar operaciones como lijado, cepillado metálico, pulido o corte con esta herramienta eléctrica.**

Las operaciones para las que no se diseñó la herramienta eléctrica podrían producir un riesgo y causar daños personales.

- c) **No utilice accesorios que no estén diseñados y estén recomendados específicamente por el fabricante de la herramienta.**

El hecho de que el accesorio pueda acoplarse en la herramienta eléctrica no garantiza una operación segura.

- d) **La velocidad nominal del accesorio debe ser al menos igual a la velocidad máxima marcada en la herramienta eléctrica.**

Los accesorios que se utilizan con una velocidad superior a la indicada podrían romperse o descomponerse.

- e) **El diámetro externo y el grosor de su accesorio debe estar dentro de la clasificación de capacidad de su herramienta metálica.**

Los accesorios de tamaño incorrecto no pueden supervisarse o controlarse adecuadamente.

- f) **La instalación de accesorios por rosca debe coincidir con la rosca del eje de la amoladora. En los accesorios montados por bridas, el orificio para el eje del accesorio debe adaptarse al diámetro de la brida.**

Los accesorios que no coincidan con el sistema de montaje de la herramienta eléctrica se desequilibrarán, vibrarán excesivamente y podrían provocar la pérdida del control de la herramienta.

- g) **No utilice un accesorio dañado. Antes de cada uso, inspeccione el accesorio, mirando si las ruedas abrasivas tienen grietas o roturas. Si se cae la herramienta eléctrica o el accesorio, inspeccione si está dañado o instale un accesorio sin dañar. Tras inspeccionar e instalar un accesorio, tanto usted como los viandantes deben alejarse del plano del accesorio giratorio y utilizar la herramienta eléctrica a máxima velocidad sin carga durante un minuto.**

Los accesorios dañados se romperán durante este periodo de prueba.

- h) **Utilice equipo protector personal. Dependiendo de la aplicación, utilice protector facial, gafas protectoras o gafas de seguridad. Si procede, utilice máscara para polvo, protectores auditivos, guantes y mono capaz de detener pequeños fragmentos abrasivos o piezas de trabajo.**

El protector ocular debe ser capaz de detener los desechos que salen desprendidos generados por las diferentes operaciones. La máscara para polvo o respirador debe ser capaz de filtrar partículas generadas por su operación. Una exposición prolongada a un ruido de intensidad elevada podría producir pérdida de audición.

- i) **Mantenga a los viandantes alejados del área de trabajo. Toda persona que entre en la zona de trabajo debe utilizar equipo de protección personal.**

Los fragmentos de un trabajo o un accesorio roto pueden salir despedidos y causar daños más allá del área de operación inmediata.

- j) **Sostenga la herramienta eléctrica únicamente por las superficies de agarre aisladas cuando realice una operación en la que la herramienta eléctrica pueda entrar en contacto con el cableado oculto.**

Entrar en contacto con un cable "vivo" también provocará que las partes metálicas expuestas de la herramienta eléctrica estén "vivas" y podría originar una descarga eléctrica al operario.

- k) **Coloque el cable cerca del accesorio giratorio.**

Si pierde el control, podría cortarse el cable o engancharse a la mano o brazo podrían entrar en el accesorio giratorio.

- l) **No coloque boca abajo la herramienta eléctrica hasta que el accesorio se haya parado completamente.**

El accesorio giratorio podría agarrar la superficie y descontrolar la herramienta eléctrica.

- m) **No ponga en marcha la herramienta eléctrica cuando la lleve al lado.**  
Un contacto accidental con el accesorio giratorio podría enganchar la ropa y el accesorio podría herirle.
- n) **Limpie regularmente los conductos de aire de la herramienta eléctrica.**  
El ventilador del motor sacará el polvo de dentro del alojamiento y la acumulación excesiva de metal en polvo podría producir peligros eléctricos.
- o) **No utilice la herramienta eléctrica cerca de materiales inflamables.**  
Las chispas podrían quemar dichos materiales.
- p) **No utilice accesorios que requieran refrigerantes líquidos.**  
Al utilizar agua u otros refrigerantes líquidos podría producirse una electrocución o descarga.
- d) **Tenga especial cuidado cuando trabaje con esquinas, bordes afilados, etc. Evite rebotar y enganchar el accesorio.**  
Las esquinas, bordes afilados o el rebote tienden a enganchar el accesorio giratorio y causan la pérdida de control y rebote.
- e) **No coloque una cuchilla talladora de madera o cuchilla dentada en la sierra.**  
Dichas cuchillas a menudo producen rebote y pérdida de control.

---

## ADVERTENCIAS DE SEGURIDAD PARA MOLER

---

- a) **Utilice sólo tipos de ruedas recomendados para su herramienta eléctrica y el protector específico diseñado para la rueda seleccionada.**  
Las ruedas para las que no se diseñó la herramienta eléctrica no pueden protegerse adecuadamente y no son seguras.
- b) **La superficie de amolado de las ruedas de disco abombado debe colocarse debajo del plano del borde protector.**  
Una rueda mal colocada que sobresalga del plano del borde del protector no podrá protegerse correctamente.
- c) **La protección debe colocarse firmemente en el herramienta eléctrica y colocarse para máxima seguridad, de forma que se expone al operario la cantidad mínima de rueda.**  
El protector ayuda a proteger al operario de fragmentos de disco rotos, del contacto accidental con el disco y de chispas que podrían prenderle fuego la ropa.
- d) **Las ruedas deben utilizarse sólo para las aplicaciones recomendadas. Por ejemplo, no muele con el lado de la rueda de corte.**  
Las ruedas de corte abrasivas están diseñadas para un molido periférico. Las fuerzas laterales aplicadas a estas ruedas pueden hacer que se rompan.
- e) **Utilice siempre bridas de ruedas sin dañar de tamaño y forma correcta para la rueda seleccionada.**  
Las bridas de rueda adecuadas soportan la rueda, reduciendo la posibilidad de rotura de rueda. Las bridas para ruedas de corte pueden ser diferentes de las bridas de rueda de molido.
- f) **No utilice ruedas de herramientas eléctricas más grandes.**  
La rueda diseñada para una herramienta eléctrica más grande no es adecuada para la velocidad superior de una herramienta inferior y podría estallar.

---

## REBOTE Y ADVERTENCIAS RELACIONADAS

---

*El rebote es una reacción repentina a una rueda giratoria, almohadilla de soporte, cepillo u otro accesorio pinchado o enganchado. El pinchazo o enganche causa una parada rápida del accesorio giratorio que, a su vez, hace que la herramienta eléctrica no controlada vaya en la dirección opuesta del giro del accesorio en el punto de atasco.*

*Por ejemplo, si una rueda abrasiva es enganchada o pinchada por la pieza de trabajo, el borde de la rueda que entra en el punto de pinchazo puede enterrarse en la superficie del material haciendo que la rueda se salga. La rueda puede saltar hacia el operario o salir despedida de este, dependiendo de la dirección del movimiento de la rueda en el punto de pinchazo. Las ruedas abrasivas también pueden romperse bajo estas condiciones.*

*El rebote es el resultado de un uso incorrecto y/o procedimientos o condiciones operativos incorrectos de la herramienta eléctrica y puede evitarse tomando las precauciones adecuadas indicadas a continuación.*

- a) **Agarre la herramienta eléctrica firmemente y coloque el cuerpo y el brazo para que pueda resistirse a las fuerzas de retroceso. Utilice siempre una agarradera auxiliar, si se proporciona, para un control máximo sobre el rebote o reacción del par durante la puesta en marcha.**  
El operario puede controlar las reacciones del par o las fuerzas de rebote, si se toman las precauciones adecuadas.
- b) **No coloque la mano cerca del accesorio giratorio.**  
El accesorio puede rebotarse en la mano.
- c) **No coloque el cuerpo en la zona en la que la herramienta eléctrica se mueva si se produce un rebote.**  
El rebote impulsará a la herramienta en dirección opuesta al movimiento de la rueda en el punto de enganche.

## INSTRUCCIONES GENERALES DE SEGURIDAD PARA AMOLADORAS

- Compruebe que la velocidad marcada en la rueda es igual o superior a la velocidad media de la amoladora;
- Asegure que las dimensiones de la rueda son compatibles con la amoladora;
- Las ruedas abrasivas deben almacenarse y manipularse con cuidado de acuerdo con las instrucciones del fabricante;
- Inspeccione la rueda amoladora antes de utilizarla. No utilice productos descascarillados, agrietados o defectuosos;
- Asegure que las ruedas y puntos montados se ajustan a las instrucciones del fabricante;
- Asegure que se utilizan secantes cuando se proporcionan con el producto abrasivo y cuando se requiera;
- Asegure que el producto abrasivo está correctamente montado y ajustado antes de la utilización y ponga en marcha la herramienta sin carga durante 30 segundos en una posición segura; pare inmediatamente si hay vibración considerable o si se detectan otros defectos. Si ocurre esto, compruebe la máquina para determinar la causa;
- Si la herramienta se proporciona con una tapa, no utilice nunca la herramienta sin dicha tapa;
- No utilice cojinetes reductores o adaptadores diferentes para adaptar ruedas abrasivas de orificio grande;
- Para herramientas que se utilicen con rueda de orificio roscado, asegúrese de que la rosca de la rueda es lo suficientemente larga para aceptar la longitud del eje;
- Asegure la pieza de trabajo y verifique que esté bien sujeta. Una pieza de trabajo sujeta con dispositivos de sujeción o en un banco se sostiene mejor que con la mano;
- No utilice una rueda de recorte para el amole lateral;
- Asegúrese de que las chispas emitidas al utilizar la herramienta no crean ningún riesgo, es decir, no alcanzan a ninguna persona ni sustancia inflamable;
- Asegúrese de que las aperturas de ventilación están despejadas cuando trabaje en condiciones con polvo. Si es necesario limpiar el polvo, desconecte primero la herramienta de la toma de corriente (utilice objetos no metálicos) y evite dañar las piezas internas;
- Utilice siempre protección de ojos y de oídos, así como otro equipo protector personal como máscara de polvo, guantes, casco y mono;
- Preste atención a la rueda que sigue girando tras apagar la herramienta.
- No deje que entren sustancias extrañas por el orificio de conexión de la batería recargable.
- No desmonte nunca la batería recargable ni el cargador.
- No cortocircuite nunca la batería recargable. Cortocircuitar la batería provocará tensión eléctrica

muy elevada y sobrecalentamiento. Resultará en quemaduras o en daños a la batería.

- No arroje la batería al fuego. Si la batería se quema puede explotar.
- No introduzca objetos en las ranuras de ventilación del cargador. La introducción de objetos metálicos o inflamables en dichas ranuras puede causar descargas eléctricas o dañar el cargador.
- Lleve la batería al establecimiento de compra original en caso de que la duración de la batería recargable sea reducida al usarse. No tire la batería descargada.

## NORMAS Y SÍMBOLOS ESPECÍFICOS DE SEGURIDAD

### 1. EMPLEE siempre un protector adecuado con muela abrasiva.

Un protector que proteja al operador de los fragmentos de la rueda rota.

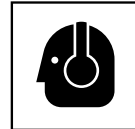
### 2. Los accesorios deben tener un valor nominal por lo menos para la velocidad recomendada en la etiqueta de advertencia de la herramienta.

Los discos y los otros accesorios que funcionan a una velocidad superior a la nominal pueden salir volando y causar daños.

### 3. Sujete las herramientas de potencia por las superficies de agarre aisladas al realizar una operación en la que la herramienta de corte pueda entrar en contacto con el cableado oculto.

El contacto con un conductor "activo" "activará" las partes metálicas de la herramienta y el operador recibirá una descarga eléctrica.

### 4. EMPLEE siempre protectores auditivos cuando tenga que utilizar la herramienta durante mucho tiempo.



La exposición prolongada a ruido de gran intensidad puede causar la pérdida del sentido del oído.

### 5. Utilice únicamente una rueda de disco abombado con una capacidad nominal SUPERIOR a 13,300 /min.

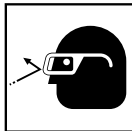
El uso de una rueda con una capacidad nominal INFERIOR a 13,300 /min y/o una rueda del tamaño incorrecto (véase ESPECIFICACIONES en la página 59) podría producir rotura de la rueda y proyección de fragmentos de la rueda, provocando la muerte o lesiones de gravedad.

### 6. No toque nunca las piezas móviles.



NO coloque NUNCA sus manos, dedos, ni demás partes del cuerpo cerca de las piezas móviles de la herramienta.

7. **NO utilice NUNCA la herramienta sin los protectores colocados en su lugar.**  
NO utilice NUNCA esta herramienta sin los protectores de seguridad correctamente instalados. Si el trabajo de mantenimiento o de reparación requiere el desmontaje de un protector de seguridad, cerciórese de volver a instalarlo antes de utilizar la herramienta.
8. **Utilice la herramienta correcta.**  
No fuerce herramientas ni accesorios pequeños para realizar un trabajo pesado.  
No utilice las herramientas para fines no proyectados, por ejemplo, no utilice esta amoladora angular para cortar madera.
9. **NO utilice NUNCA una herramienta eléctrica para aplicaciones que no sean las especificadas.**  
NO utilice NUNCA una herramienta eléctrica para aplicaciones no especificadas en este Manual de instrucciones.
10. **Maneje correctamente la herramienta.**  
Maneje la herramienta de acuerdo con las instrucciones ofrecidas aquí. No deje caer ni tire la herramienta. NO permita NUNCA que los niños ni otras personas no autorizadas ni familiarizadas con la operación de la herramienta utilicen ésta.
11. **Mantenga todos los tornillos, pernos, y cubiertas firmemente fijados en su lugar.**  
Mantenga todos los tornillos, pernos, y cubiertas firmemente montados. Compruebe periódicamente su condición.
12. **No utilice herramientas eléctricas si la carcasa o la empuñadura de plástico está rajada.**  
Las rajaduras en la carcasa o en la empuñadura de plástico pueden conducir a descargas eléctricas. Tales herramientas no deberán utilizarse mientras no se hayan reparado.
13. **Las ruedas y los accesorios deben estar montados de manera segura en la herramienta.**  
Evite lesiones personales y de otras personas. Las ruedas y los accesorios que hayan sido montados en la herramienta deben estar seguros y firmes.
14. **Mantenga limpio el conducto de ventilación del motor.**  
El conducto de ventilación del motor limpio para que el aire pueda circular libremente en todo momento. Compruebe frecuentemente y limpie el polvo acumulado.
15. **NO utilice NUNCA una herramienta defectuosa o que funcione anormalmente.**  
Si la herramienta parece que funciona anormalmente, produciendo ruidos extraños, etc., deje inmediatamente de utilizarla y solicite su arreglo a un centro de reparaciones autorizado por metabo HPT.
16. **NO deje NUNCA la herramienta en funcionamiento desatendida. Desconecte su alimentación.**  
No deje sola la herramientas hasta mientras no se haya parado completamente.
17. **Maneje con cuidado las herramientas eléctricas.**  
Si una herramienta eléctrica se ha caído o ha chocado inadvertidamente contra materiales duros, es posible que se haya deformado, rajado, o dañado.
18. **No limpie las partes de plástico con disolvente.**  
Los disolventes, como gasolina, diluidor de pintura, bencina, tetracloruro de carbono, y alcohol pueden dañar o rajar las partes de plástico. No las limpie con tales disolventes.  
Limpie las partes de plástico con un paño suave ligeramente humedecido en agua jabonosa y después séquelas bien.
19. **NUNCA utilice una rueda de disco abombada que esté agrietada, deformada o gastada (consulte la sección MANTENIMIENTO E INSPECCIÓN en la página 69).**
20. **NUNCA utilice la amoladora en lugares en los que las chispas generadas por la misma puedan causar una explosión, como cerca de materiales o gases inflamables.**
21. **NUNCA presione el botón pulsador mientras el eje está girando.**
22. **SIEMPRE utilice protección para los ojos que satisfaga los requisitos de la última versión de la norma Z87.1 de ANSI.**



23. **SIEMPRE utilice una mascarilla para protegerse contra el polvo o las partículas potencialmente dañinos generados durante la operación de la amoladora.**
24. **SIEMPRE sujete firmemente la empuñadura del cuerpo y la empuñadura lateral cuando utilice la amoladora.**
25. **SIEMPRE realice una operación de prueba antes de utilizar la amoladora. (Véase "Pruebe la amoladora antes de utilizarla" en la página 64).**
26. **SIEMPRE siga las instrucciones indicadas en este manual cuando reemplace la rueda de disco abombado.**
27. **Tenga cuidado SIEMPRE con los objetos que puedan estar enterrados o emparedados, tales como cables eléctricos.**  
Si tocara un cable activo con esta herramienta, podría recibir una descarga eléctrica.  
Confirme que no haya ningún objeto enterrado o emparedado, como cables eléctricos, en el suelo, el techo, o en las paredes en los que vaya a trabajar.
28. **Tenga cuidado con el retroceso del freno.**  
Esta amoladora angular inalámbrica cuenta con un freno eléctrico que opera cuando el interruptor es liberado. Asegúrese de agarrar el cuerpo principal de forma segura ya que hay algún retroceso cuando opera el freno.
29. **No use el producto si la herramienta o los terminales de la batería (el soporte de la batería) están deformados.**

Instalar tal batería podría causar un cortocircuito que podría resultar en emisiones de humo o incendios.

- 30. Mantenga los terminales de la herramienta (soporte de la batería) libres de virutas y polvo.
  - Antes de su uso, asegúrese de que no se han acumulado virutas ni polvo en la zona de los terminales.
  - Durante el uso, intente evitar que las virutas o el polvo de la herramienta caigan sobre la batería.
  - Al suspender la operación o tras el uso, no deje la herramienta en un área donde pueda estar expuesta a las virutas o al polvo que caen.

De lo contrario, podría causar un cortocircuito que podría resultar en emisiones de humo o incendios.

- 31. Definiciones para los símbolos utilizados en esta herramienta
  - V ..... voltios
  - ..... corriente continua
  - Hz ..... hertzios
  - A ..... amperios
  - n ..... velocidad nominal
  - /min ... revoluciones o reciprocación por minuto

**INSTRUCCIONES IMPORTANTES DE SEGURIDAD PARA EL CARGADOR DE BATERÍAS**

**⚠ ADVERTENCIA**

La utilización inadecuada del cargador de baterías puede resultar en lesiones serias o en la muerte. Para evitar estos riesgos, siga las instrucciones de seguridad ofrecidas a continuación.

**LEA TODAS LAS INSTRUCCIONES**

1. Este manual contiene instrucciones importantes de seguridad para el cargador de baterías modelo UC18YSL3.
2. Antes de utilizar el cargador de baterías, lea todas las instrucciones y tenga en cuenta las marcas de precaución de (1) el cargador de baterías, (2) la batería, y (3) el producto que utiliza la batería.
3. Para reducir el riesgo de lesiones, cargue las baterías recargables metabo HPT. Otros tipos de baterías podrían explotar causando lesiones y daños.
4. La utilización de un accesorio no recomendado o vendido por el fabricante del cargador de baterías puede resultar en el riesgo de incendios, en descargas eléctricas, o en lesiones.
5. Para reducir el riesgo de dañar el cable y el enchufe, para desconectar el cable del cargador de baterías, tire del enchufe.
6. Cerciórese de que el cable quede situado donde no pueda pisarse, donde nadie pueda tropezar con él, y donde no pueda recibir daños.
7. A menos que sea absolutamente necesario, no deberá utilizarse un cable prolongador. La utilización de un cable prolongador inadecuado podría resultar en el riesgo de incendios y descargas eléctricas. Cuando tenga que utilizar un cable prolongador, cerciórese de que:
  - a. El enchufe del cable prolongador sea igual en tamaño y forma que el del cargador de baterías;
  - b. El cable prolongador esté adecuadamente conectado y en buenas condiciones eléctricas; y
  - c. Que el calibre del cable sea suficiente para el amperaje de CA del cargador de baterías, como se especifica en la Tabla 1.

Tabla 1

**CALIBRE (AWG) MÍNIMO RECOMENDADO PARA CABLES PROLONGADORES PARA EL CARGADOR DE EXTENSION CORDS FOR BATTERY CHARGERS**

Amperaje nominal de entrada de CA*		Calibre (AWG) del cable			
Igual o superior a	pero inferior a	Longitud del cable, Pies (metros)			
		25 (7.5)	50 (15)	100 (30)	150 (45)
0	2	18	18	18	16
2	3	18	18	16	14
3	4	18	18	16	14

\* Si la entrada nominal del cargador de baterías se indica en vatios en vez de amperios, el amperaje nominal correspondiente se determinará dividiendo el vataje por la tensión, por ejemplo:  

$$\frac{1,250 \text{ vatios}}{125 \text{ voltios}} = 10 \text{ amperios}$$

8. No utilice el cargador de baterías con un cable o un enchufe dañado. Si están dañados, reemplácelos inmediatamente.
9. No utilice el cargador de baterías si ha recibido un golpe, si ha caído, o si está dañado de alguna otra forma. Llévelo a un técnico cualificado.

10. No desarme el cargador de baterías. Cuando necesite reparación, llévelo a un técnico cualificado. El reensamblaje incorrecto podría resultar en el riesgo de incendios o descargas eléctricas.
11. Para reducir el riesgo de descargas eléctricas, desenchufe el cargador del tomacorriente antes de intentar realizar cualquier operación de mantenimiento o de limpiarlo. La extracción de la batería no reducirá este riesgo.
11. **NUNCA** almacene la batería ni el cargador de la batería en lugares en los que la temperatura pueda llegar a los 104 °F (40 °C) o superar dicha temperatura, como dentro de una caja metálica o un auto.
12. **NUNCA** esponga la batería ni el cargador de la batería a condiciones de lluvia a humedad.
13. **SIEMPRE** utilice el cargador con un tomacorriente (120 voltios). La utilización de un cargador con cualquier otra tensión podría hacer que éste se recalentase y dañase.
14. **SIEMPRE** espere 15 minutos por lo menos entre las cargas para evitar que el cargador se recaliente.
15. **SIEMPRE** desconecte el cable de alimentación del tomacorriente cuando no vaya a utilizar el cargador.

## INSTRUCCIONES IMPORTANTES DE SEGURIDAD PARA LA BATERÍA Y EL CARGADOR DE BATERÍAS

Usted deberá cargar la batería antes de utilizar la herramienta eléctrica. Antes de utilizar el cargador de baterías modelo UC18YSL3, cerciórese de leer todas las instrucciones y precauciones del mismo, de la batería, y de este manual.

**⚠ PRECAUCIÓN**  
**¡UTILICE SOLAMENTE MODELOS DE BATERÍAS metabo HPT DE LA SERIE MULTIVOLTAJE. LOS DEMÁS MODELOS DE BATERÍAS PODRÍAN EXPLOTAR Y CAUSAR LESIONES!**

Para evitar el riesgo de lesiones, siga las instrucciones ofrecidas a continuación:

**⚠ ADVERTENCIA**  
**La utilización inadecuada de la batería o del cargador de baterías puede conducir a lesiones serias. Para evitar estas lesiones:**

1. **NUNCA** desarme la batería.
2. **NUNCA** incinere una batería, aunque esté dañada o completamente agotada.
3. **NUNCA** cortocircuite la batería.
4. **NUNCA** inserte ningún objeto en las ranuras de ventilación del cargador. Si lo hiciera podría recibir descargas eléctricas o dañar el cargador de baterías.
5. **NUNCA** cargue en exteriores. Mantenga la batería alejada de la luz solar directa, y utilícela solamente donde haya poca humedad y una buena ventilación.
6. **NUNCA** cargue cuando la temperatura sea inferior a 32°F (0°C) o superior a 104°F (40°C).
7. **NUNCA** conecte dos cargadores de baterías juntos.
8. **NUNCA** inserte objetos extraños en el orificio para la batería ni en el cargador de baterías.
9. **NUNCA** utilice un transformador elevador para cargar.
10. **NUNCA** utilice una fuente de alimentación de CC para cargar.

## ADVERTENCIA DE LA BATERÍA DE LITIO

Para ampliar su duración, la batería de litio está equipada con la función de protección para detener la salida.

En los casos 1 a 3 descritos más abajo, cuando utilice este producto, incluso si tira del interruptor, el motor puede detenerse. No es un problema, sino el resultado de la función de protección.

1. Cuando la batería restante se agota, el motor se detiene.  
En este caso, cárguela inmediatamente.
2. Si la herramienta se sobrecarga, el motor puede detenerse. En este caso, suelte el interruptor de la herramienta y elimine las causas de la sobrecarga. A continuación, puede volverla a utilizar.
3. Si la batería se calienta excesivamente al realizar un trabajo de sobrecarga, la potencia de la batería podría pararse.  
En este caso, deje de utilizar la batería y deje que se enfríe. Posteriormente puede utilizarla de nuevo.

Asimismo, preste atención a las siguientes advertencias y precauciones.

## ⚠ ADVERTENCIA

Para evitar fugas de la batería, generación de calor, emisión de humo, explosiones e igniciones, preste atención a las siguientes precauciones.

1. Asegúrese de que no entran virutas o polvo en la batería.
  - Durante el trabajo, asegúrese de que no caen virutas o polvo en la batería.
  - Asegúrese de que las virutas o el polvo que caen sobre la herramienta eléctrica durante el trabajo no entran en la batería.
  - No almacene una batería sin utilizar en un lugar expuesto a virutas y polvo.
  - Antes de almacenar una batería, retire las virutas y el polvo que se haya adherido y no la almacene junto a piezas metálicas (tornillos, clavos, etc.).

- No agujeree la batería con un objeto afilado como un clavo, no la golpee con un martillo, la pise, la tire o la esponga a fuertes impactos físicos.
- No utilice una batería que pudiera estar dañada o deformada.
- No utilice la batería para un fin diferente a los especificados.
- Si la carga de la batería no finaliza incluso cuando ha transcurrido un determinado tiempo de recarga, detenga inmediatamente la recarga.
- No coloque o esponga la batería a temperaturas elevadas o alta presión como en un microondas, una secadora o un contenedor de gran presión.
- Aléjela del fuego inmediatamente cuando se detecte una fuga o un olor raro.
- No la utilice en un lugar donde se genere gran electricidad estática.
- Si hay una fuga de la batería, mal olor, se genera color, está descolorida o deformada, o de algún modo funciona de forma anormal durante su utilización, recarga o almacenamiento, retírela inmediatamente del equipo o del cargador de la batería y detenga su utilización.
- No sumerja la batería ni permita que fluidos entren en ella. La entrada de líquidos conductores, como el agua, puede provocar daños que resulten en incendios o explosiones. Guarde la batería en un lugar fresco y seco, alejado de los materiales combustibles e inflamables. Las atmósferas con gases corrosivos deben ser evitadas.

## ⚠ PRECAUCIÓN

- Si el líquido de fuga de la batería entra en contacto con los ojos, no se los frote y lávelos bien con agua limpia como, por ejemplo, agua del grifo y póngase en contacto con un médico inmediatamente. Si no se trata, el líquido podría causar problemas de visión.
- Si el líquido de fuga entra en contacto con la piel o la ropa, lávela bien con agua limpia como, por ejemplo, agua del grifo inmediatamente. Podría producir irritación de la piel.
- Si observa óxido, mal olor, recalentamiento, decoloración, deformación y/u otras irregularidades al utilizar la batería por primera vez, no la utilice y devuélvasela a su proveedor o distribuidor.

## ⚠ ADVERTENCIA

Si un objeto extraño conductor de electricidad entra en los terminales de la batería de litio, podría producirse un cortocircuito, resultando en un riesgo de incendio. Por favor, respete los siguientes consejos cuando almacene la batería.

- **No coloque cortes conductivos, clavos, cables de acero, cables de cobre u otros cables en la caja de almacenamiento.**

- **Instale el paquete de baterías en la herramienta eléctrica o almacénelo presionando la tapa de baterías hasta que se oculten los orificios de ventilación para evitar cortocircuitos. (Ver Fig. 3)**

## A PROPÓSITO DEL TRANSPORTE DE LA BATERÍA DE IONES DE LITIO

Al transportar una batería de iones de litio, tenga en cuenta las siguientes precauciones.

## ⚠ ADVERTENCIA

**Notifique a la compañía de transporte que un paquete contiene una batería de iones de litio, informe a la compañía eléctrica de su potencia de salida y siga las instrucciones de la compañía de transporte al preparar su transporte.**

- **Las baterías de iones de litio que superen una potencia de salida de 100 Wh se considera que son materiales peligrosos en la Clasificación de Transporte y requieren procedimientos de aplicación especiales.**
- **Para el transporte en el extranjero, deberá cumplir con las leyes internacionales y las normas y regulaciones del país de destino.**
- **Si el BSL36B18 es instalado en la herramienta eléctrica, la potencia de salida excederá los 100 Wh y la unidad será clasificada como materiales peligrosos para la clasificación de carga.**

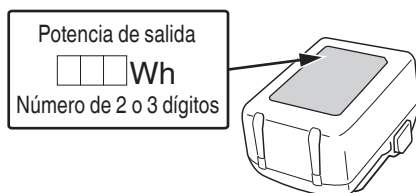


Fig. 1

## PRECAUCIONES DE CONEXIÓN DEL DISPOSITIVO USB

Quando se produce un problema inesperado, los datos en un dispositivo USB conectado a este producto podrían dañarse o perderse. Asegúrese siempre de realizar una copia de seguridad de los datos contenidos en el dispositivo USB antes de su uso con este producto.

Tenga en cuenta que nuestra compañía no acepta ninguna responsabilidad por los datos almacenados en el dispositivo USB que se hayan dañado o perdido, ni por ningún daño que pudiera sufrir un dispositivo conectado.



**¡GUARDE ESTAS INSTRUCCIONES  
Y  
PÓNGALAS A DISPOSICIÓN DE OTROS USUARIOS  
Y  
PROPIETARIOS DE ESTA HERRAMIENTA!**

## DESCRIPCIÓN FUNCIONAL

### NOTA

La información contenida en este Manual de instrucciones ha sido diseñada para ayudarle a utilizar con seguridad y mantener esta herramienta eléctrica.

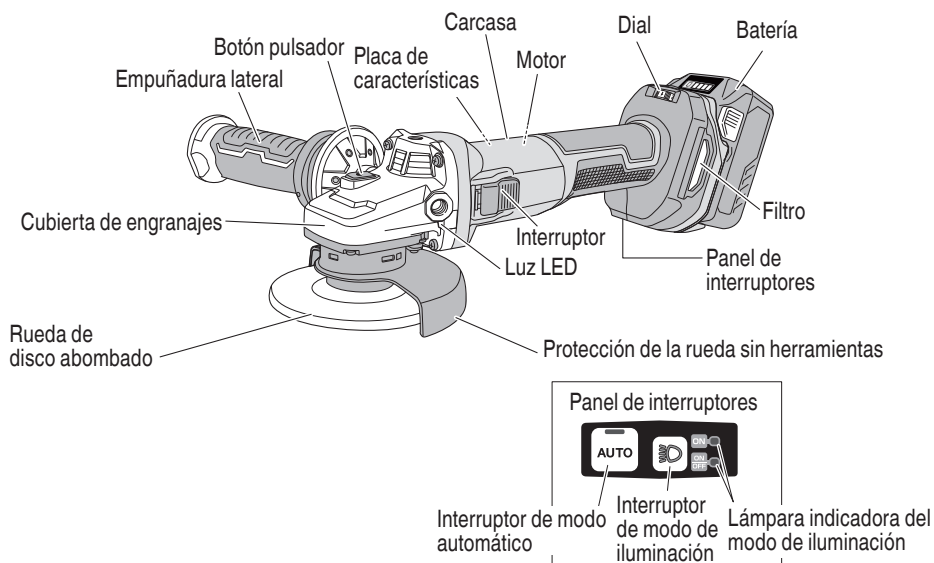
**NUNCA** haga funcionar ni efectúe el mantenimiento de la herramienta antes de leer y comprender todas las instrucciones de seguridad contenidas en este manual.

Algunas ilustraciones de este Manual de Instrucciones pueden mostrar detalles o accesorios diferentes a los de la propia herramienta eléctrica.

### NOMENCLATURA

#### 1. Amoladora angular inalámbrica

##### ○ G3612DVE



##### ○ G3612DVF

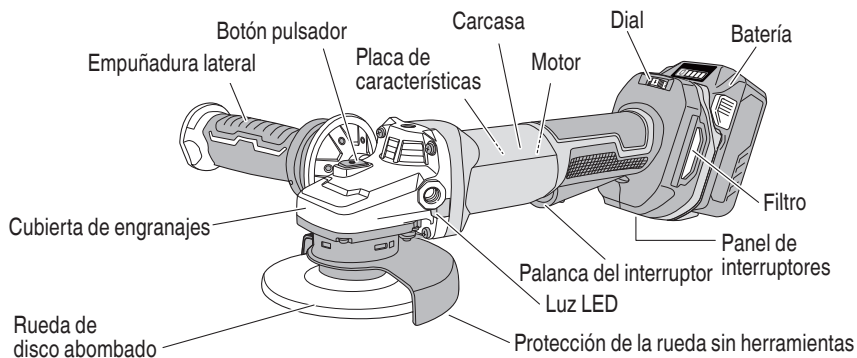
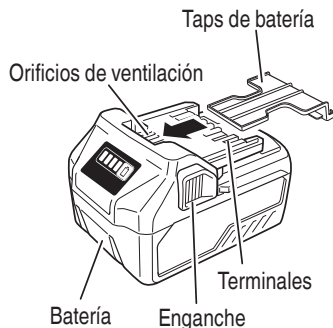


Fig.2

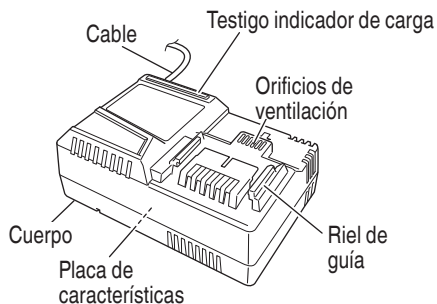
2. Batería  
(accesorios opcionales...de venta por separado)



<BSL36A18>

Fig. 3

3. Cargador de baterías  
(accesorios opcionales...de venta por separado)



<UC18YSL3>

Fig. 4

## ESPECIFICACIONES

1. Amoladora angular inalámbrica

Modelo	G3612DVE	G3612DVF	G3615DVF
Motor	Motor de CC sin escobillas		
Velocidad nominal	Modo de transmisión : 3,200-10,000 /min Modo automático : 5,500 /min		Modo de transmisión : 3,200-8,000 /min Modo automático : 5,500 /min
Tamaño de la rueda: Diámetro externo Grosor Diámetro del orificio	4-1/2" (115 mm) 1/4" (6 mm) 7/8" (22.23 mm)		6" (150 mm) 1/4" (6 mm) 7/8" (22.23 mm)
Velocidad periférica	80 m/s		
Battery*	Tipo		
	Tensión		
	Batería de Li-ion modelo BSL36A18		
	DC 36V / 18V (Cambio Automático**)		
Peso	6.6 lbs (3.0 kg) (BSL36A18 instalada) 7.3 lbs (3.3 kg) (BSL36B18 instalada)		6.8 lbs (3.1 kg) (BSL36A18 instalada) 7.5 lbs (3.4 kg) (BSL36B18 instalada)

\* Las baterías existentes (series BSL3660/3620/3626, BSL18 y BSL14) no pueden ser usadas con esta herramienta.

\*\* La misma herramienta cambiará automáticamente.

2. Cargador de baterías

Modelo	UC18YSL3
Fuente de alimentación de entrada	Monofásica: 120 V CA, 60 Hz
Tiempo de carga (A una temperatura de 68°F (20°C))	BSL36A18 : Aprox. 32 min
Tensión de carga	CC 14.4 V-18 V
Corriente de carga	CC 8.0 A
Peso	1.3 lbs. (0.6 kg)

**NOTA:** El tiempo de carga pueda variar de acuerdo con la temperatura y la tensión de la fuente de alimentación.

**Control eléctrico**

- Arranque suave
- Protección de rebote

La función de protección de rebote corta la alimentación al motor y detiene la herramienta eléctrica en caso de una caída repentina de la velocidad giratoria de la rueda durante la operación (por ejemplo, si la rueda se bloquea durante la operación de corte, etc.).

- Protección de sobrecarga

Mientras trabaja, si una carga que excede un nivel determinado es aplicada, o si el disco amolador es detenido por una cantidad de tiempo determinada, el motor se parará para proteger la herramienta y como medida de seguridad.

Apague el interruptor una vez, luego enciéndalo nuevamente para poner en marcha la herramienta.

- Función de control de recuperación de la rotación
- Mientras trabaja, si la herramienta es presionada con demasiada fuerza contra la superficie y el motor se detiene, si levanta la herramienta y aligera la carga, la rotación reanudará.

Dependiendo del disco amolador usado y las condiciones de trabajo, el control de recuperación de rotación podría ser detenido por la protección de sobrecarga.

**⚠ PRECAUCIÓN**

**Cuando se utiliza ET36A, esta función no funciona.**

- Protección de sobrecalentamiento

Esta función de protección corta el suministro de energía hacia el motor y detiene la herramienta eléctrica en caso de sobrecalentamiento del motor durante la operación.

Cuando la función de protección de sobrecalentamiento se activa, el motor puede detenerse.

En este caso, suelte el interruptor de la herramienta y deje que se enfríe durante unos minutos.

Posteriormente puede utilizarla de nuevo.

- Función de prevención de reinicio

Cuando el interruptor de alimentación aún está conectado, la herramienta no puede volver a ponerse en marcha cuando es instalada una batería. Esta función se puede cancelar una vez que la herramienta esté apagada.

- Función del freno

El freno se activa cuando se desconecta el interruptor.

**⚠ PRECAUCIÓN**

**Cuando se utiliza ET36A, esta función no funciona.**

- Función de apagado ante caídas <G3612DVE>

Cuando se active la función de apagado ante caídas, el motor podría detenerse.

En ese caso, suelte el interruptor de la herramienta.

Después podrá utilizarla de nuevo.

## MONTAJE Y OPERACIÓN

**APLICACIONES**

- Eliminación de rebabas de piezas fundidas y acabado de varios tipos de materiales y piezas fundidas de acero, bronce, y aluminio.
- Amoladura de secciones soldadas o de secciones cortadas con un soplete oxiacetilénico.
- Amoladura de resinas sintéticas, pizarra, ladrillo, y mármol.

**⚠ ADVERTENCIA**

**Para evitar el riesgo de lesiones de gravedad, no utilice NUNCA esta amoladora con muelas de cubeta y/u hojas de sierra.**

**MÉTODO DE EXTRACCIÓN E INSTALACIÓN DE LA BATERÍA**

1. Desmontaje de la batería  
Sujetar firmemente el asidero y presionar el cierre de la batería para desmontarla (Ver las Fig. 5).

**⚠ PRECAUCIÓN**

**No cortocircuitar nunca la batería.**

2. Instalación de la batería  
Insertar la batería observando sus polaridades (ver la Fig. 5).

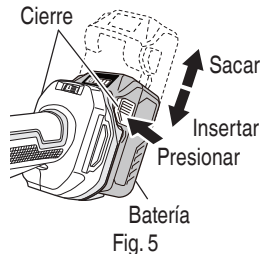


Fig. 5

## MÉTODO DE CARGA

### NOTA

Antes de enchufar el cargador en un tomacorriente, tenga en cuenta los puntos siguientes.

- La tensión de la fuente de alimentación está indicada en la placa de características.
- El cable no deberá estar dañado.

### ⚠ ADVERTENCIA

**No cargue con una tensión superior a la indicada en la placa de características. Si cargase con una tensión superior a la indicada en la placa de características, el cargador se quemaría.**

1. Enchufe el cable de alimentación del cargador a un tomacorriente de CA. Cuando haya conectado el enchufe del cargador a una toma de la red, la lámpara piloto se encenderá en rojo. (A intervalos de 1 segundo)



### ⚠ ADVERTENCIA

**No utilice el cargador si su cable está dañado. Haga que se lo reparen inmediatamente.**

2. Inserte la batería en el cargador de baterías. Inserte la batería en el cargador de baterías como muestra en la Fig 6.

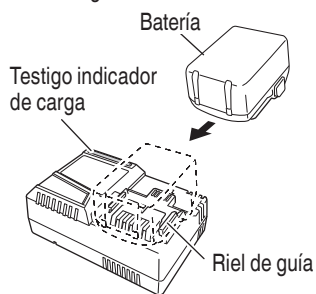


Fig. 6

3. Carga  
 Cuando inserte una batería en el cargador, el testigo indicador de carga parpadeará en azul.  
 Cuando la batería esté totalmente cargada, el testigo indicador de carga se iluminará en verde. (Consulte la Tabla 2).

- (1) Indicaciones del testigo indicador de carga  
 Las indicaciones del testigo indicador de carga serán tal y como se muestran en la Tabla 2, de acuerdo con la condición del cargador de baterías o de la batería.

Tabla 2

Estado del cargador	Estado de la luz indicadora	Significado de la indicación
Antes de la carga	ON/OFF en intervalos de 0,5 s (ROJO) 	Con conexión a la fuente de alimentación *1
	Se ilumina durante 0,5 s en intervalos de 1 s (AZUL) 	Carga inferior al 50%
	Se ilumina durante 1 s en intervalos de 0,5 s (AZUL) 	Carga inferior al 80%
Durante la carga	Se ilumina de forma fija (AZUL) 	Carga superior al 80%
	Se ilumina de forma fija (VERDE)  (Sonido continuo de la señal acústica: alrededor de 6 s)	/
Carga completa		
Espera por sobrecalentamiento	ON/OFF en intervalos de 0,3 s (ROJO) 	Batería sobrecalentada. No se puede cargar. *2
Carga imposible	ON/OFF en intervalos de 0,1 s (PARPADEA)  (Sonido intermitente de la señal acústica: alrededor de 2 s)	Error de funcionamiento en la batería o el cargador *3

\*1 Si la luz roja sigue parpadeando después de conectar el cargador, compruebe que la batería se haya insertado por completo.

\*2 Aunque la carga comenzará una vez que la batería se haya enfriado, incluso si se deja en el dispositivo, se recomienda retirarla y dejar que se enfríe en un lugar sombreado y bien ventilado.

\*3

- Inserte la batería por completo.
- Compruebe que no haya materiales extraños en los terminales o el soporte de la batería.

<Si la carga tarda demasiado>

- La carga tardará más en entornos con temperaturas muy bajas. Cargue la batería en un lugar cálido (por ejemplo, dentro de una casa).
- No bloquee la rejilla de aire. De lo contrario, el interior se sobrecalentará y el rendimiento de la batería disminuirá.
- Si el ventilador no funciona, póngase en contacto con un centro de servicio autorizado de HiKOKI para que lo reparen.

(2) Temperatura de las baterías

La temperatura de las baterías se muestra en la Tabla 3, y las baterías que se hayan calentado deberán dejarse enfriar durante cierto tiempo antes de cargarlas.

Table 3

Baterías	Temperatura con la que podrá cargarse la batería
BSL36A18	32°F–122°F (0°C–50°C)

(3) Tiempo de carga (A 68°F (20°C))

Tabla 4 Tiempo de carga

Batería	Cargador	UC18YSL3
BSL36A18		Approx. 32 min

**NOTA**

El tiempo de recarga puede variar de acuerdo con la temperatura ambiental.

4. Desconecte el cargador de baterías del tomacorriente.

**⚠ PRECAUCIÓN**

**No desconecte el cable del tomacorriente tirando del mismo.**

**Cerciórese de tirar del enchufe para desconectarlo del tomacorriente a fin de evitar dañar el cable.**

5. Extraiga la batería del cargador de baterías. Sujutando el cargador de baterías con una mano, extraiga la batería del mismo.

**NOTA**

Asegúrese de extraer la batería del cargador de baterías después del uso, y guárdela después.

**Descarga eléctrica en caso de baterías nuevas, etc.**

Como la substancia química interna de las baterías nuevas o las que no se hayan utilizado durante mucho tiempo no está activada, la descarga eléctrica puede ser inferior cuando se utilicen por primera y segunda vez. Este fenómeno es temporal, y el tiempo normal requerido para la recarga se restablecerá recargando las baterías 2–3 veces.

**Forma de hacer que las baterías duren más**

(1) Recargue las baterías antes de que se hayan agotado completamente.

Si siente que la potencia de la herramienta eléctrica se debilita, deje de utilizarla y recargue su batería. Si continuase utilizando la herramienta hasta agotar la capacidad de la batería, ésta podría dañarse y su duración útil podría acortarse.

(2) Evite realizar la recarga a altas temperaturas.

Una batería se calentará inmediatamente después de haberla utilizado. Si recargase tal batería inmediatamente después de haberla utilizado, su substancia química interna se deterioraría, y la duración útil de la batería se acortaría. Deje la batería y recárguela después de que se haya enfriado durante cierto tiempo.

**⚠ PRECAUCIÓN**

- Si utiliza continuamente el cargador de baterías, éste se calentará, lo que puede causar averías. Después de haber finalizado la carga, espere 15 minutos antes de realizar la carga siguiente.
- Si la batería se carga mientras está caliente debido a que se ha dejado durante mucho tiempo en un lugar expuesto a la luz solar directa o porque la batería acaba de utilizarse, el testigo indicador de carga del cargador se iluminará durante 0,3 segundos y no se iluminará durante 0,3 segundos (permanecerá apagado durante 0,3 segundos). En tales casos, deje primero que se enfríe la batería e inicie luego la carga.
- Cuando el testigo indicador de carga parpadee (a intervalos de 0,2 segundos), compruebe si hay objetos extraños en el orificio de instalación de la batería del cargador y extráigalos si los hubiera. Si no hay objetos extraños, es probable que la batería o que el cargador de baterías esté funcionando mal. Lívelos a un centro de reparaciones autorizado.

**CÓMO RECARGAR EL DISPOSITIVO USB**

**⚠ ADVERTENCIA**

- Antes de usar, compruebe el cable de conexión USB en busca de cualquier defecto o daño. Usar un cable USB defectuoso o dañado puede provocar emisiones de humo o incendios.
- Cuando no se está usando el producto, cubra el puerto USB con la cubierta de goma. Acumulación de polvo, etc. en el puerto USB puede provocar emisiones de humo o incendios.

**NOTA**

- El tiempo necesario para la carga será más largo cuando un dispositivo USB y la batería se carguen simultáneamente.
- Podría haber una pausa ocasional durante la recarga USB.
- Cuando no se esté cargando un dispositivo USB, apague la alimentación USB y retire el dispositivo USB del cargador. De lo contrario, podría no solo reducir la vida de la batería de un dispositivo USB, pero también podría ocasionar accidentes imprevistos.

- (1) Seleccione un método de carga  
Dependiendo del método de carga seleccionado, tanto si la batería se ha insertado en el cargador o si el cable de alimentación está enchufado a una toma de corriente.
  - Carga de un dispositivo USB mediante batería (Fig. 7-a)
  - Cargar un dispositivo USB desde una toma de corriente eléctrica (Fig. 7-b)
  - Cargar un dispositivo USB y su batería desde una toma de corriente eléctrica (Fig. 7-c)

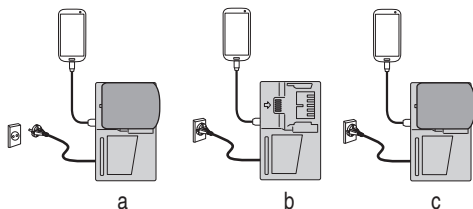


Fig. 7

- (2) Encienda el enchufe de alimentación USB (Fig. 8)  
Cuando encienda el enchufe de alimentación USB, el testigo indicador de alimentación USB se encenderá.

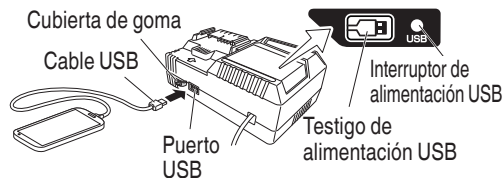


Fig. 8

- (3) Conecte el cable USB. (Fig. 8)  
Retire la cubierta de goma y enchufe con firmeza un cable USB disponible en comercios (apropiado para el dispositivo que se está cargando) en el puerto USB.
  - Cuando el cable de alimentación no esté enchufado a una toma eléctrica y se agote la batería, la salida de alimentación eléctrica se detendrá y el testigo de alimentación USB se apagará.
  - Cuando el testigo indicador de alimentación USB se apague, cambie la batería o enchufe el cable de alimentación a una toma eléctrica.

- (4) Cuando se haya completado la carga
  - El testigo indicador de alimentación USB no se activará cuando un dispositivo USB se haya cargado por completo.  
Para verificar el estado de carga, compruebe el dispositivo USB.
  - Apague el interruptor de alimentación USB y desenchufe el cable de alimentación de la toma de alimentación eléctrica. (Fig. 8)
  - Extraiga la batería del cargador y coloque la tapa de goma sobre el puerto USB.

#### <Pausar la carga de un dispositivo USB>

- Al conectar la alimentación del cargador desde la batería a un dispositivo USB o desde el cargador a un dispositivo USB, la carga se detendrá durante aproximadamente 5 s mientras se determina la fuente de alimentación.
- Una vez que se completa la carga de la batería, la carga USB se detendrá durante aproximadamente 5 s mientras realiza una comprobación.
- Si la capacidad restante de la batería es muy baja, el cargador priorizará la carga de la batería y detendrá temporalmente la carga USB. No obstante, la carga USB se reanuda automáticamente cuando la capacidad restante de la batería alcance un nivel determinado.

## ANTES DE LA OPERACIÓN

1. Interruptor de alimentación  
Cerciórese de que el interruptor de alimentación esté en la posición OFF.
2. Comprobación del entorno de trabajo  
Antes de la operación, compruebe lo siguiente:
  - No hay gases, líquidos ni objetos inflamables en el sitio de trabajo.
  - La amoladura de una plancha de acero delgada puede producir ruidos retumbantes.  
Para evitar tales ruidos, coloque una esterilla de goma debajo de la pieza de trabajo.
  - No permita que en el área de trabajo haya niños ni personal no autorizado.
3. Montaje del protector de la rueda  
Cerciórese de montar el protector de la rueda con un ángulo que proteja el cuerpo del operador contra lesiones debidas a un trozo de rueda roto.  
[Instalación del protector de la rueda] (Fig. 9)
  - Abra y sostenga la palanca para instalar el protector de la rueda de modo que la proyección del protector quede alineado con el rebaje del prensaestopas.
  - Gire el protector de la rueda a un ángulo adecuado para su uso y luego suelte el dedo de la palanca.
  - Gire el protector de la rueda hacia la izquierda o hacia la derecha hasta que encaje en su lugar.

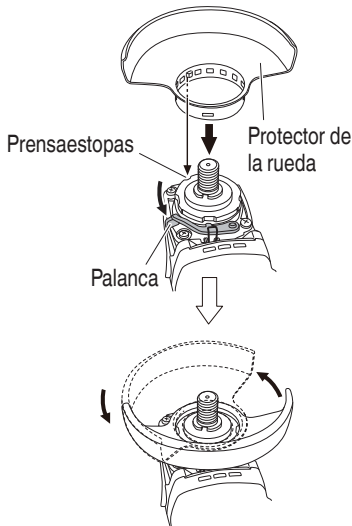


Fig. 9

**⚠ ADVERTENCIA**

Si el protector de la rueda no está colocado correctamente, la rueda se podría romper y ocasionar la muerte o lesiones de gravedad.

4. Antes de montar la rueda de disco abombado, inspeccione atentamente para comprobar que se encuentre libre de grietas, hendiduras y otras anomalías. Asegúrese de que haya quedado firmemente fijada y que esté correctamente instalada. Consulte "Montaje y desmontaje de la rueda con centro hundido" (Fig. 18).

5. Pruebe la amoladora antes de utilizarla. Antes de comenzar el trabajo de amoladura, pruebe la amoladora después de haber despejado el área de personal. Cerciúrese de que el protector de la rueda esté instalado, y utilice protección para sus ojos. Conecte la alimentación de la amoladora y compruebe si gira suavemente y no muestra anomalías.

La duración del funcionamiento de prueba es el siguiente:

Cuando haya reemplazado la rueda de disco abombado .....3 minutos o más  
 Cuando comience diariamente el trabajo ..... 1 minuto o más

6. Utilice ruedas de disco abombado de la capacidad apropiada.

Utilice únicamente ruedas de disco abombado con una capacidad nominal de **13,300 /min o más**.

La utilización de una rueda de disco abombado de menor capacidad podría conducir a su desintegración durante la operación y a lesiones serias.

7. Compruebe el botón pulsador. Cerciúrese de que el botón pulsador esté desenganchado presionándolo dos o tres veces antes de conectar la alimentación de la amoladora. (Fig. 10)

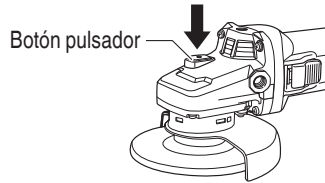


Fig. 10

8. Fijar el asidero lateral. Atornille el asidero lateral en la cubierta de engranajes (Fig. 11).

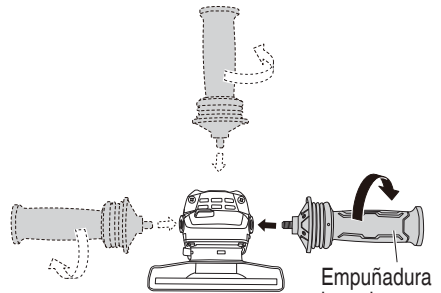


Fig. 11

9. Indicador de batería restante. Puede comprobar la capacidad restante de la batería presionando el interruptor del indicador de batería restante para encender la lámpara indicadora. (Fig. 12, Tabla 5)

Se recomienda utilizar el indicador de batería restante como guía dado que hay ligeras diferencias tales como la temperatura ambiente y el estado de la batería.

Asimismo, el indicador de batería restante podría variar de aquellos equipados en la herramienta o en el cargador.



Lámpara indicadora de batería restante

Interruptor del indicador de batería restante

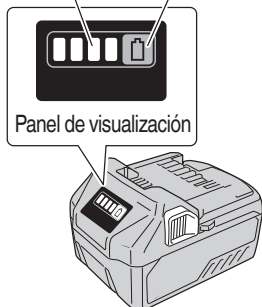


Fig. 12

Tabla 5

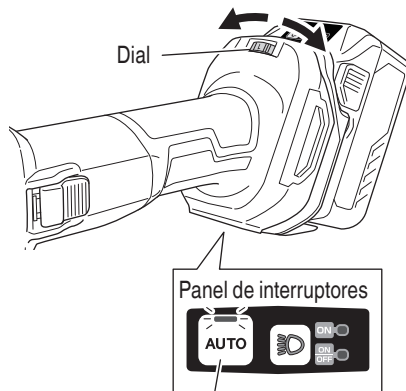
Estado de la lámpara	Carga de batería restante
	Se enciende; La carga restante de la batería se encuentra por encima del 75%.
	Se enciende; La carga restante de la batería es del 50%–75%.
	Se enciende; La carga restante de la batería es del 25%–50%.
	Se enciende; La carga restante de la batería es menos del 25%.
	Parpadea; La carga restante de la batería está prácticamente agotada. Cargue la batería lo antes posible.
	Parpadea; La salida se suspendió debido a una alta temperatura. Extraiga la batería de la herramienta y deje que se enfríe.
	Parpadea; Salida suspendida debido a un fallo o mal funcionamiento. El problema puede estar relacionado con la batería, contáctese con su distribuidor.

Dado que el indicador de batería restante muestra resultados ligeramente diferentes según la temperatura ambiental y las características de la batería, utilice su lectura como referencia.

**NOTA**

No golpee con fuerza ni rompa el panel de interruptores.  
Pueden producirse problemas.

- Sobre la función de cambio del modo (Fig. 13)  
La unidad tiene “Modo de transmisión” y “Modo automático”  
Para cambiar el modo, pulse el interruptor de modo automático.  
Consulte la tabla a continuación y ajuste el número de revoluciones en el modo de transmisión con el dial.
  - Con el modo de transmisión, el número de revoluciones de la amoladora se puede configurar en una de seis fases.  
Al operar en el modo de transmisión, el número establecido de revoluciones se mantendrá independientemente de los cambios en la carga.
  - Con el modo automático, podrá reducir ruidos y vibraciones bajando el número máximo de revoluciones mientras está en un estado sin carga. Mientras se encuentra en el modo automático, el número de revoluciones se elevará si la carga se vuelve mayor durante la operación. Por otro lado, el número de revoluciones se reducirá si la carga disminuye durante la operación. (Tabla 6)
  - Establezca el modo y dial según la aplicación de trabajo.



Interruptor de modo automático

Fig. 13

Tabla 6

Estado	Número de revoluciones (/min)		Uso
	G3612DVE G3612DVF	G3615DVF	
1	3,200	3,200	Triturado de acero inoxidable
2	3,900	3,600	
3	5,300	4,600	Corrosión o eliminación de pintura
4	7,400	5,600	
5	8,600	7,200	Triturado, acabado
6	10,000	8,000	
L Automático	5,500	5,500	Triturado grueso, corte
H Automático	10,000	8,000	
L Automático	5,500	5,500	Trabajo suave, estado de modo de espera
H Automático	10,000	8,000	Triturado, corte

L automática: sin carga

H automática: durante el funcionamiento

11. Cómo utilizar la luz LED

Si presiona el interruptor de modo de iluminación en el panel de interruptores, el modo de luz LED cambiará como en la tabla 7. Esto se indica con un indicador luminoso verde. (Fig. 14)

Para evitar que se consuma la batería, apague la luz LED con frecuencia.

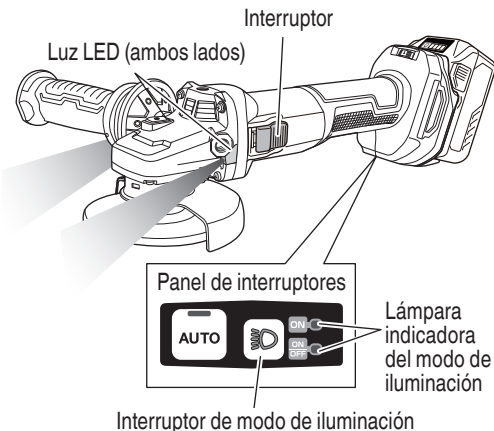


Fig. 14

Tabla 7

	Modo siempre encendido	Modo de interruptor enclavado	Modo siempre apagado
Pantalla del panel			
Estado	Siempre encendido (se apaga después de 60 minutos)	Luz con el interruptor encendido (Se apaga de forma automática por aproximadamente 10 segundos después de soltar el interruptor)	Siempre apagado

**⚠ PRECAUCIÓN**

- No exponga los ojos directamente a la luz; evite mirar hacia ella directamente. Si los ojos están expuestos de manera continua a la luz, pueden resultar lesionados.
- Limpie cualquier resto de polvo o suciedad enganchado al objetivo de la luz LED con un paño suave, procurando no rayar la lente. Los arañazos en la lente de la luz LED pueden resultar en una reducción de brillo.

**NOTA**

Para evitar que se consuma la batería por haberse olvidado de apagar la luz LED, la luz se apaga de forma automática en unos 60 minutos.

12. Señales de aviso de luz LED

Este producto dispone de funciones que han sido diseñadas para proteger la herramienta así como la batería. Mientras se tira del interruptor, si cualquiera de las funciones de protección se activa durante el funcionamiento, la luz LED parpadeará tal como se describe en Tabla 8. Cuando se activa cualquiera de las funciones de protección, retire su dedo inmediatamente del interruptor y siga las instrucciones descritas bajo acción correctiva.



**⚠ ADVERTENCIA**

No presione a la fuerza la amoladora contra la superficie que desee amolar. La presión excesiva podría resultar en rotura de la rueda y en lesiones serias. También podría dañar la superficie que esté amolando o el motor de la amoladora.

- Utilice el ángulo de amoladura apropiado. Realice la operación de amoladura con el borde de la rueda levantando la amoladora de 15 a 30°, como se muestra en la Fig. 17.

**⚠ PRECAUCIÓN**

No utilice toda la superficie de la rueda de disco abombado. Use solamente el borde de dicha rueda.

- Mueva la amoladora en el sentido apropiado. Cuando utilice una rueda de disco abombado nueva en el sentido A (Fig. 17), el borde de la rueda puede cortar la pieza de trabajo. En este caso, realice la operación de amoladura en el sentido B (Fig. 17). Cuando se haya gastado el borde de la rueda, la pieza de trabajo podrá amolarse en ambos sentidos.

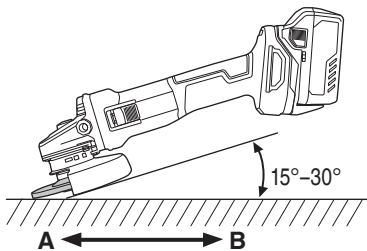


Fig. 17

**NOTA**

La rueda suministrada (rueda resinoide) tiene grano de clase A y tamaño de grano #36. Es la más adecuada para amoladura intensa de acero y otros tipos de materiales.

- Ajuste la operación de acuerdo con el acabado deseado. Para realizar un acabado preciso, reduzca la presión levantando ligeramente la amoladora. Realice la operación de amoladura lentamente y con la velocidad apropiada.

**⚠ PRECAUCIÓN**

El giro de la rueda de disco abombado creará turbulencia de aire.

No coloque la amoladora en áreas de polvo o suciedad hasta que se haya parado completamente.

**MONTAJE Y DESMONTAJE DE LA RUEDA DE DISCO ABOMBADO****⚠ ADVERTENCIA**

Asegúrese de desconectar el interruptor y sacar la pila.

- Armado
  - Dé la vuelta a la amoladora de forma que el eje quede encarado hacia arriba.
  - Alinee la muesca ovalada de la arandela de la rueda (E) con la muesca del eje, y después fíjelas.
  - Fije la parte saliente de la rueda de disco abombado en la arandela de la rueda (E).
  - Atornille la rueda en el eje.
  - Presionando el botón pulsador con una mano, bloquee el eje girando lentamente la rueda de disco abombado con la otra mano. Apriete la tuerca de la rueda utilizando la llave suministrada como se muestra en la Fig. 18.

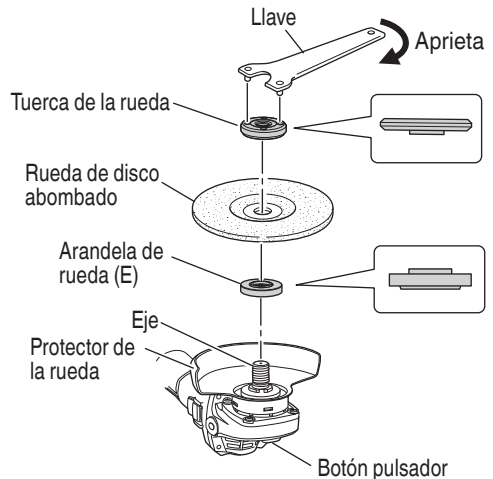


Fig. 18

**⚠ PRECAUCIÓN**

Apriete con seguridad la tuerca de la rueda y confirme que no se bambolee.

- Desarmado
 

Para desmontar la rueda de disco abombado, invierta simplemente el procedimiento indicado arriba.

## MANTENIMIENTO E INSPECCIÓN

- ⚠ ADVERTENCIA:**
- Asegúrese de desconectar el interruptor y sacar la pila.
  - El uso de ruedas agrietadas, deformadas o dañadas puede ocasionar la rotura de la rueda y lesiones de gravedad.

1. Reemplazo de la rueda de disco abombado  
Reemplace la rueda de disco abombado cuando se haya desgastado hasta aproximadamente 2-3/8" (60 mm) de diámetro externo. Confirme que no haya rajaduras ni daños en la rueda de disco abombado. Si existe una raja o deformación en la rueda de disco abombado, reemplácela inmediatamente.
2. Comprobación de los tornillos  
Los tornillos son peligrosos. Inspecciónelos regularmente y cerciórese de que estén bien apretados.

- ⚠ PRECAUCIÓN**  
La utilización de una herramienta eléctrica con tornillos flojos es extremadamente peligrosa.

3. Comprobación del polvo  
El polvo podrá eliminarse con un paño suave y seco o ligeramente humedecido en agua jabonosa. No utilice lejía, cloro, gasolina, ni diluidor de pintura, porque podrían dañar el plástico.
4. Inspección de los terminales (herramienta y batería)  
Compruebe para asegurarse de que no se han acumulado virutas ni polvo en los terminales. En ocasiones verifique antes, durante y después de la operación.

- ⚠ PRECAUCIÓN**  
Retire las virutas o el polvo que pudiera haberse acumulado en los terminales. De lo contrario puede producirse un fallo en el funcionamiento.

5. Limpieza e inspección del filtro

- ⚠ ADVERTENCIA**  
Use gafas de protección y una máscara contra polvo cuando limpie el filtro con una pistola de aire. De lo contrario, podría resultar en inhalación o entrada de residuos o polvo en los ojos.

Después de usar la herramienta, elimine los residuos o el polvo adherido al filtro con un cepillo suave. (Fig. 19). Revise el filtro periódicamente para asegurarse de que no esté rayado, roto o rasgado. Si el filtro está dañado de alguna manera, reemplácelo por uno nuevo.

### NOTA

- Si la malla está obstruida y no se pueden eliminar los residuos o el polvo, desmonte el filtro y límpielo con una pistola de aire, etc. (Fig. 20).
- Tras la limpieza, asegúrese de acoplar bien el filtro.

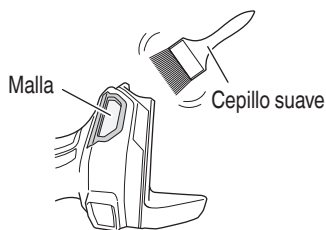


Fig. 19

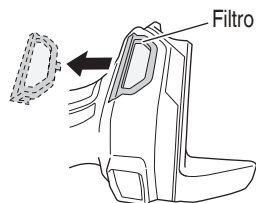


Fig. 20

6. Mantenimiento de motor  
La bobina en el motor es una pieza importante de la unidad. Corrobore que no esté dañada o expuesta a aceite o agua.

### NOTA

Para expulsar los residuos y el polvo, haga funcionar periódicamente el motor sin carga.

7. Eliminación de las baterías agotadas

### ⚠ ADVERTENCIA

No tire las baterías agotadas. Las baterías pueden explotar si se incineran. El producto que ha adquirido contiene una batería. La batería es reciclable. Cuando se agote su duración útil, de acuerdo con las leyes estatales y locales, puede ser ilegal tirar esta batería a la basura. Solicite a las autoridades locales los detalles sobre las opciones de reciclado o de la forma de deshacerse apropiadamente de la batería.

8. Almacenamiento  
 Guarde la herramienta en un lugar con menos de 40°C (104°F) y fuera del alcance de niños.

**NOTA**

Almacenar baterías de ion-litio  
 Compruebe que las baterías de ion-litio se han cargado completamente antes de almacenarlas.  
 Un almacenamiento prolongado de las baterías (3 meses o más) con carga baja podría deteriorar su funcionamiento, reduciendo en gran medida el tiempo de uso de la batería o haciendo que las baterías no puedan mantener una carga.  
 No obstante, la reducción en gran medida del tiempo de uso de la batería puede recuperarse si se carga y utiliza de dos a cinco veces.  
 Si el tiempo de uso de la batería es extremadamente corto a pesar de haber cargado y utilizado la batería varias veces, deberá considerarla agotada y comprar una nueva.

- 9 Mantenimiento y reparación  
 Todas las herramientas eléctricas de calidad requieren de vez en cuando el servicio de mantenimiento o el reemplazo de piezas debido al desgaste producido durante la utilización normal. Para asegurarse de que solamente se utilicen piezas de reemplazo autorizadas, todos los servicios de mantenimiento y reparación deberán realizarse **SOLAMENTE EN UN CENTRO DE REPARACIONES AUTORIZADO POR metabo HPT.**

**⚠ PRECAUCIÓN**  
**En el manejo y el mantenimiento de las herramientas eléctricas, se deberán observar las normas y reglamentos vigentes en cada país.**

**Aviso importante sobre las pilas de las herramientas inalámbricas de metabo HPT**  
 Utilice siempre una de nuestras pilas genuinas. No podemos garantizar la seguridad y el funcionamiento de nuestra herramienta eléctrica inalámbrica cuando se utiliza con pilas diferentes a las indicadas por nosotros o cuando la pila se desmonta y modifica (como cuando se desmontan y sustituyen celdas u otras piezas internas).

## ACCESORIOS

**⚠ ADVERTENCIA**

No utilice nunca ningún accesorio distinto de los mencionados más abajo.  
 La utilización de cualquier otro accesorio distinto de los mencionados más abajo o no previstos para el uso, como una rueda de copa, una rueda de corte o una hoja de sierra, podría resultar peligroso y causar lesiones o daños materiales.

**NOTA**

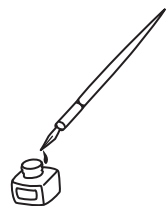
Los accesorios están sujetos a cambio sin ninguna obligación por parte de metabo HPT.

**ACCESORIOS ESTÁNDAR**

G3612DVE G3612DVF G3615DVF (NNS)	<ul style="list-style-type: none"> <li>○ Rueda de disco abombado (Solo G3612DVE y G3612DVF)..... 1                      4-1/2" (115 mm) de dia. externo x 1/4" (6 mm) de grosor x 7/8" (22.23 mm) de diá. de orificio (Núm. de código 316821)</li> <li>○ Rueda de disco abombado (G3615DVF) ..... 1                      6" (150 mm) de dia. externo x 1/4" (6 mm) de grosor x 7/8" (22.23 mm) de diá. de orificio (Núm. de código 379594)</li> <li>○ Llave (Núm. de código 938332Z) ..... 1</li> <li>○ Empuñadura lateral (Núm. de código 336865)..... 1</li> <li>○ Bolsa (Núm. de código 328849)..... 1</li> </ul> <p>La batería, el cargador de baterías y la funda de la batería no se incluyen</p>
---	---

**NOTA**

Las especificaciones están sujetas a cambio sin ninguna obligación por parte de metabo HPT.



## WARNING:

Some dust created by power sanding, sawing, grinding, drilling, and other construction activities contains chemicals known to the State of California to cause cancer, birth defects or other reproductive harm. Some examples of these chemicals are:

- Lead from lead-based paints,
- Crystalline silica from bricks and cement and other masonry products, and
- Arsenic and chromium from chemically-treated lumber.

Your risk from these exposures varies, depending on how often you do this type of work. To reduce your exposure to these chemicals: work in a well ventilated area, and work with approved safety equipment, such as those dust masks that are specially designed to filter out microscopic particles.

## AVERTISSEMENT:

La poussière résultant d'un ponçage, d'un sciage, d'un meulage, d'un perçage ou de toute autre activité de construction renferme des produits chimiques qui sont connus par l'Etat de Californie pour causer des cancers, des défauts de naissance et autres anomalies de reproduction. Nous énumérons ci-dessus certains de ces produits chimiques:

- Plomb des peintures à base de plomb,
- Silice cristalline des briques et du ciment et autres matériaux de maçonnerie, et
- Arsenic et chrome du bois d'oeuvre traité chimiquement.

Le risque d'exposition à ces substances varie en fonction de la fréquence d'exécution de ce genre de travail. Pour réduire l'exposition à ces produits chimiques, travailler dans un lieu bien ventilé, et porter un équipement de protection agréé, par exemple un masque anti-poussière spécialement conçu pour filter les particules microscopiques.

## ADVERTENCIA:

Algunos polvos creados por el lijado mecánico, el aserrado, el esmerilado, el taladrado y otras actividades de construcción contienen sustancias químicas conocidas por le Estado de California como agentes cancerígenos, defectos congénitos y otros daños reproductores. Algunos ejemplos de estas sustancias químicas son:

- El plomo de las pinturas a base de plomo,
- El sílice cristalino de los ladrillos y cemento y otros productos de mampostería, y
- El arsénico y el cromo de la madera tratada químicamente.

El riesgo resultante de la exposición varía según la frecuencia con que se realiza este tipo de trabajo. Para reducir la exposición a esta sustancias químicas: trabaje en un lugar bien ventilado y realice el trabajo utilizando el equipamiento apropiado, tal como las máscaras para el polvo especialmente diseñados para eliminar las partículas minúsculas.



Please contact Koki Holdings America Ltd. at 1-800-59-TOOLS (toll free), or metabo HPT AUTHORIZED POWER TOOL SERVICE CENTER regarding COLLECTION.

Pour le RAMASSAGE, contacter Koki Holdings America Ltd. au 1-800-59-TOOLS (appel gratuit), ou UN SERVICE APRÈS-VENTE D'OUTILS ÉLECTRIQUE AGRÉÉ PAR metabo HPT.

Con respecto a la RECOLECCIÓN de baterías, póngase en contacto con Koki Holdings America Ltd. número 1-800-59-TOOLS (llamada gratis), o con metabo HPT AUTHORIZED POWER TOOL SERVICE CENTER.

Issued by

# Koki Holdings Co., Ltd.

Shinagawa Intercity Tower A, 15-1, Konan 2-chome,  
Minato-ku, Tokyo 108-6020, Japan

Distributed by

# Koki Holdings America Ltd.

1111 Broadway Ave,  
Braselton, Georgia, 30517

# Koki Holdings America Ltd. Canadian Branch

3405 American Drive, Units 9-10,  
Mississauga, ON, L4V 1T6