

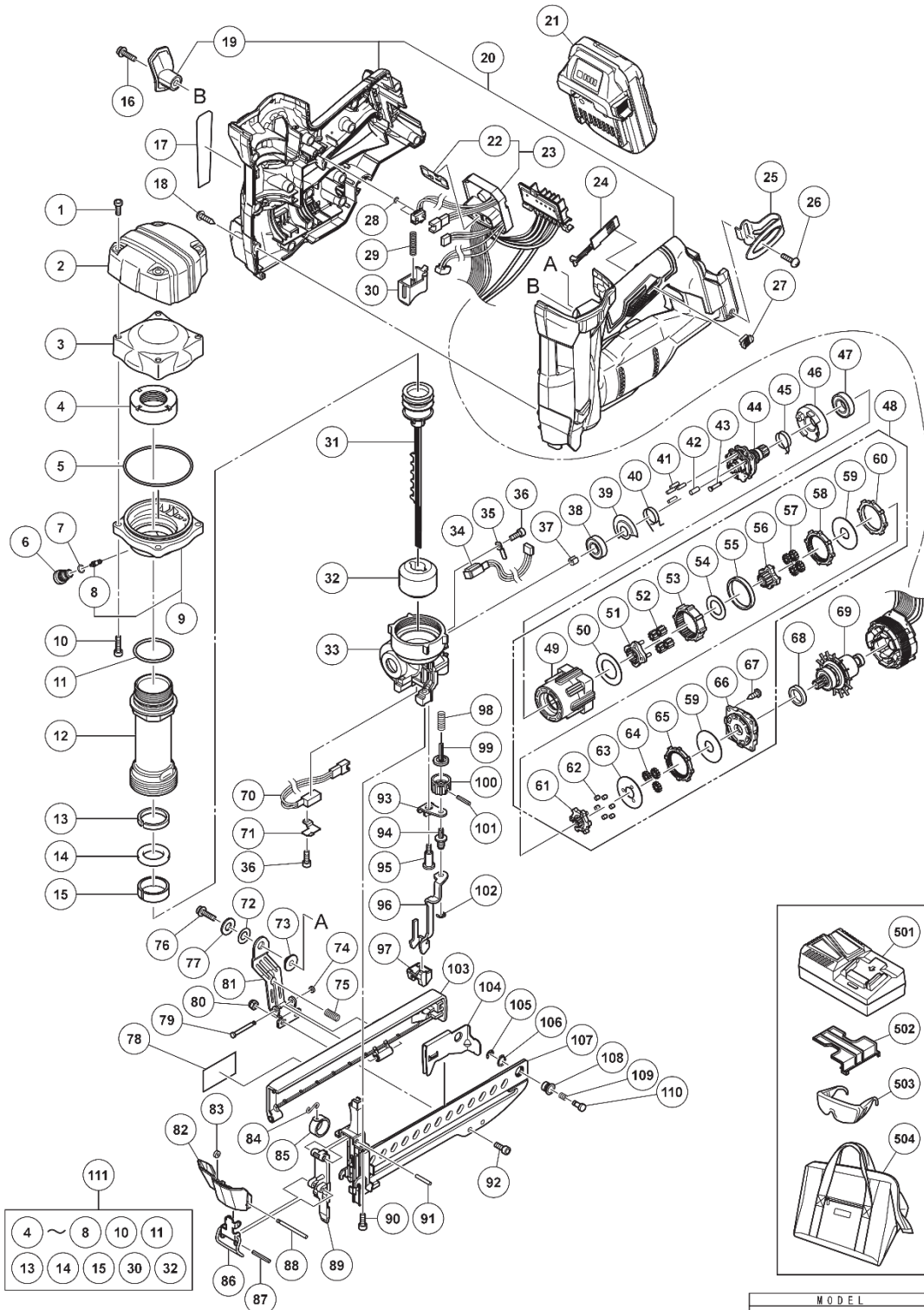
ELECTRIC TOOL PARTS LIST

■ CORDLESS STAPLER

2022 • 12 • 13

Model N 1804DA

(E1)



Rev.1

MODEL
N1804DA

PARTS

N1804DA

ITEM NO.	CODE NO.	DESCRIPTION	NO. USED	REMARKS
1	371015	HEX. SOCKET BOLT M5	4	
2	377898	TOP COVER	1	
3	377916	CHAMBER COVER	1	
4	378107	SPECIAL NUT M36 (B)	1	
5	377915	O-RING	1	
6	377913	CHARGE CAP	1	
7	872822	O-RING (S-5)	1	
8	371038	VALVE CORE	1	
9	378058	CHAMBER BASE ASS'Y	1	INCLUD.8
10	949658	HEX. SOCKET HD. BOLT M5X18 (10 PCS.)	4	
11	371042	O-RING (I.D 32.99)	1	
12	377914	CYLINDER	1	
13	377932	SLIDE RING	1	
14	379384	X-RING	1	
15	377933	SLIDE RING	1	
16	880219	HEX. SOCKET HD. BOLT (W/FLANGE) M5X16	1	
17		NAME PLATE	1	
18	313687	TAPPING SCREW (W/FLANGE) D3X16 (BLACK)	14	
19	378904	HOUSING (C)	1	
20	378903M	HOUSING (A).(B).(C) ASS'Y	1	INCLUD.19
21	377797M	BATTERY BSL 1820M (USA.CAN)	1	
22	377930	PANEL SHEET	1	
23	377897	WIRING ASS'Y	1	INCLUD.22
24	331790	LEVER (C)	1	
25	372229	HOOK	1	
26	327001	TRUSS HD. SCREW M4 (BLACK)	1	
27	326276	LEVER (A)	1	
28	371020	O-RING (I.D 2.5)	2	
29	332000	SPRING (T)	1	
30	371021	TRIGGER	1	
31	377911	PISTON	1	
32	377909	PISTON BUMPER	1	
33	377900	NOSE COVER	1	
34	377925	SENSOR (C)	1	
35	377926	SENSOR HOLDER (C)	1	
36	325241	SEAL LOCK HEX. SOCKET HD. BOLT M3X8	2	
37	378133	FELT (P)	1	
38	371033	BALL BEARING 6900VVCM	1	
39	377922	WASHER (P)	1	
40	377918	WHEEL SPRING (A)	1	
41	377921	NEEDLE ROLLER D3X9.8	4	
42	378138	NEEDLE ROLLER D4.5X9.8	1	
43	377920	PIN (A)	1	
44	377937	PIN WHEEL	1	
45	377919	WHEEL SPRING (B)	1	
46	379387	POSITION DETECTOR	1	
47	6901VV	BALL BEARING 6901VV	1	
48	379385	GEAR BOX ASS'Y	1	INCLUD.49-67
49		GEAR CASE	1	
50		WASHER €	1	
51		CARRIER	1	
52		PLANET GEAR (C) SET (4 PCS.)	4	
53		RING GEAR ©	1	
54		WASHER (D)	1	
55		GEAR SPACER	1	
56		PINION ©	1	
57		PLANET GEAR (B) SET (4 PCS.)	4	
58		RING GEAR (B)	1	
59		WASHER (A)	2	
60		LOCK RING	1	
61		PINION (B)	1	
62		NEEDLE ROLLER (A) SET (6 PCS.)	6	
63		WASHER (B)	1	
64		PLANET GEAR (A) SET (3 PCS.)	3	
65		RING GEAR (A)	1	
66		MOTOR SPACER	1	
67		SCREW SET D3X8 (4 PCS.)	4	

STANDARD ACCESSORIES

N1804DA

ITEM NO.	CODE NO.	DESCRIPTION	NO. USED	REMARKS
501		CHARGER (MODEL UC 18YFSL)	1	
502	329897	BATTERY COVER	1	
503	875769	PROTECTIVE GLASSES	1	
504	371108M	TOOL BAG	1	

OPTIONAL ACCESSORIES

ITEM NO.	CODE NO.	DESCRIPTION	NO. USED	REMARKS