

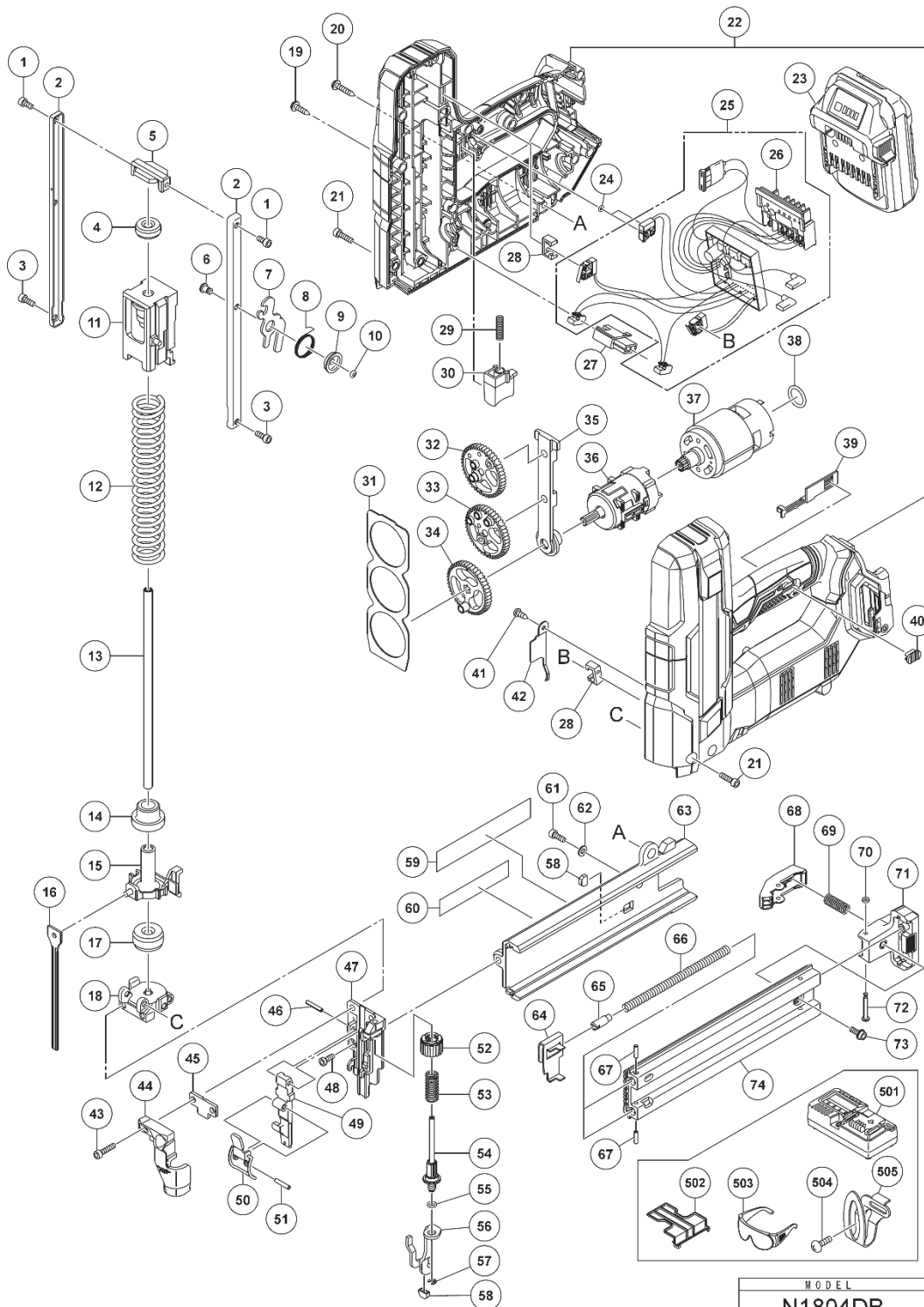
ELECTRIC TOOL PARTS LIST

■ CORDLESS STAPLER

Model N 1804DB

2024 • 02 • 12

(E1)



Rev.1

PARTS

N1804DB

ITEM NO.	CODE NO.	DESCRIPTION	NO. USED	REMARKS
1	378209	SEAL LOCK HEX. SOCKET HD. BOLT M5X8	2	
2	378208	SLIDE GUIDE BAR	2	
3	6696836	HEX. SOCKET HD. BOLT M5X12 (PRECOAT)	2	
4	373861	PLUNGER DAMPER (A)	1	
5	381248	TOP HOLDER	1	
6	373842	LATCH SHAFT	1	
7	378211	LATCH	1	
8	373855	LATCH SPRING	1	
9	378210	LATCH SPACER (B)	1	
10	880319	SHAFT RING	1	
11	381246	WEIGHT	1	
12	381247	SPRING (A)	1	
13	381431	PLUNGER SHAFT	1	
14	381249	SPRING DAMPER	1	
15	381245	PLUNGER	1	
16	381279	DRIVER BLADE	1	
17	378238	PLUNGER DAMPER	1	
18	378207	BOTTOM HOLDER	1	
19	313687	TAPPING SCREW (W/FLANGE) D3X16 (BLACK)	13	
20	328707	TAPPING SCREW (W/FLANGE) D5X30 (BLACK)	1	
21	379237	HEX. SOCKET HD. BOLT M5X14 (PRECOAT)	4	
22	381283M	HOUSING (A).(B) SET	1	
23	377797M	BATTERY BSL 1820M (USA.CAN)	1	INCLUD.502
24	371020	O-RING (I.D 2.5)	2	
25	381244	CONTROLLER ASS'Y	1	INCLUD.26
26	379284	BATTERY TERMINAL	1	
27	381262	LED PIECE	1	
28	373858	SWITCH MOUNT	2	
29	332000	SPRING (T)	1	
30	331789	TRIGGER	1	
31	378232	GEAR COVER PLATE	1	
32	381253	THIRD GEAR	1	
33	381252	SECOND GEAR	1	
34	381251	FIRST GEAR	1	
35	381269	GEAR HOLDER	1	
36	381250	GEAR BOX	1	
37	381243	MOTOR	1	
38	311814	O-RING (P-15)	1	
39	331790	LEVER (C)	1	
40	326276	LEVER (A)	1	
41	334333	TAPPING SCREW D3X12 (BLACK)	1	
42	381261	SWITCH COVER	1	
43	949757	HEX. SOCKET HD. BOLT M5X20 (10 PCS.)	2	
44	381432	PUSHING LEVER GUARD	1	
45	381255	GUIDE PLATE (A)	1	
46	949518	ROLL PIN D3X18 (10 PCS.)	1	
47	381277	BLADE GUIDE	1	
48	880413	NYLOCK HEX. SOCKET HD. BOLT M4X10	1	
49	381278	GUIDE PLATE	1	
50	381258	LOCK LEVER	1	
51	949496	ROLL PIN D3X16 (10 PCS.)	1	
52	381260	ADJUSTER	1	
53	381256	PUSHING LEVER SPRING	1	
54	381259	PUSHING LEVER (B)	1	
55	872822	O-RING (S-5)	1	
56	381257	PUSHING LEVER (A)	1	
57	872971	RETAINING RING (E-TYPE) FOR D3 SHAFT	1	
58	378092	NOSE CAP	2	
59	371107	CAUTION LABEL	1	
60		NAME PLATE	1	
61	949811	HEX. SOCKET HD. BOLT M4X8 (10 PCS.)	1	
62	381282	WASHER	1	
63	381276	MAGAZINE (A) (N)	1	
64	381275	STAPLE FEEDER	1	
65	381272	FEEDER PIECE	2	
66	381271	FEED SPRING	2	
67	949535	ROLL PIN D3X12 (10 PCS.)	2	

