

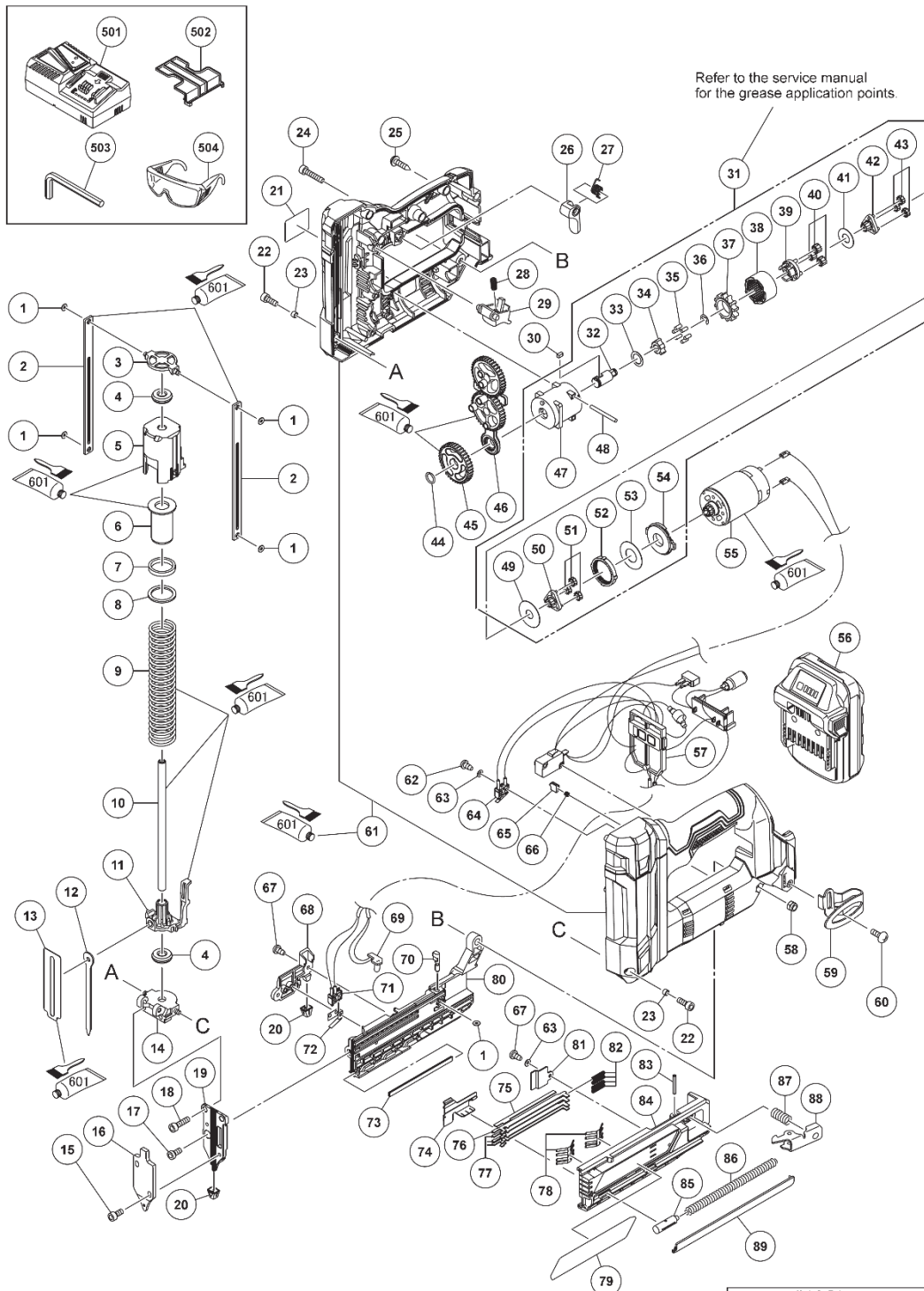
ELECTRIC TOOL PARTS LIST

CORDLESS PIN NAILER

2024 • 08 • 26

Model NP 1835DA

(E1)



MODEL
NP1835DA(1/2)

PARTS

NP1835DA

ITEM NO.	CODE NO.	DESCRIPTION	NO. USED	REMARKS
1	338981	O-RING (I.D 2.8)	5	
2	339078	SLIDE GUIDE BAR	2	
3	339075	TOP HOLDER	1	
4	370631	PLUNGER DAMPER	2	
5	339073	WEIGHT	1	
6	372869	WEIGHT SLEEVE	1	
7	372870	SPRING DAMPER (B)	1	
8	372871	DAMPER WASHER (B)	1	
9	373107	SPRING	1	
10	339095	PLUNGER SHAFT	1	
11	371199	PLUNGER (A)	1	
12	339087	DRIVER BLADE	1	
13	339088	COVER PLATE	1	
14	370643	BOTTOM HOLDER	1	
15	949811	HEX. SOCKET HD. BOLT M4X8 (10 PCS.)	2	
16	382447	GUIDE PLATE (A)	1	
17	370640	LOW HEAD HEX. SOCKET BOLT M4X8	1	
18	949665	HEX. SOCKET HD. BOLT M5X14 (10 PCS.)	2	
19	382448	BLADE GUIDE	1	
20	382441	NOSE CAP	2	
21		NAME PLATE	1	
22	880413	NYLOCK HEX. SOCKET HD. BOLT M4X10	2	
23	370639	SLEEVE	2	
24	949664	HEX. SOCKET HD. BOLT M5X30 (10 PCS.)	1	
25	313687	TAPPING SCREW (W/FLANGE) D3X16 (BLACK)	9	
26	382450	LOCK LEVER	1	
27	382453	LOCK LEVER SPRING	1	
28	382452	TRIGGER SPRING	1	
29	382449	TRIGGER	1	
30	339090	KEY 3X3X6	1	
31	339097	GEAR BOX ASS'Y	1	INCLUD.32-43.47-54
32	370648	FIRST GEAR SHAFT	1	
33	327147	WASHER (A)	1	
34	370649	LOCK CAM	1	
35	329560	NEEDLE ROLLER SET (6PCS.)	6	
36	673489	RETAINING RING (E-TYPE) FOR D5 SHAFT	1	
37	329559	LOCK RING	1	
38	329562	RING GEAR	1	
39	329561	CARRIER	1	
40	329563	PLANET GEAR (C) SET (3 PCS.)	3	
41	329564	WASHER (C)	1	
42	329566	PINION (C)	1	
43	329568	PLANET GEAR (B) SET (3 PCS.)	3	
44	339091	STOPPER RING	1	
45	339089	FIRST GEAR	1	
46	339092	GEAR HOLDER	1	
47	370647	GEAR CASE	1	
48	329565	NEEDLE	2	
49	329567	WASHER (B)	1	
50	329569	PINION (B)	1	
51	329571	PLANET GEAR (A) SET (3 PCS.)	3	
52	329570	FIRST RING GEAR	1	
53	329572	WASHER (A)	1	
54	329573	MOTOR SPACER	1	
55	339069	MOTOR	1	
56	377797M	BATTERY BSL 1820M (USA.CAN)	1	INCLUD.502
57	372873	SWITCH (B) ASS'Y (W/FUSE)	1	INCLUD.64.69.71
58	877371	NYLON NUT M5	1	
59	372229	HOOK	1	
60	327001	TRUSS HD. SCREW M4 (BLACK)	1	
61	382442M	HOUSING (A).(B) SET	1	
62	370905	TAPPING SCREW D3X12	1	
63	949430	BOLT WASHER M3 (10 PCS.)	2	
64	370645	MICRO SWITCH (B)	1	
65	370635	CLUTCH PLATE	1	
66	339096	CLUTCH SPRING	1	
67	339108	TAPPING SCREW D3X8	3	

STANDARD ACCESSORIES

NP1835DA

ITEM NO.	CODE NO.	DESCRIPTION	NO. USED	REMARKS
501	UC18YFSL	CHARGER (MODEL UC 18YFSL)	1	
502	329897	BATTERY COVER	1	
503	943277	HEX. BAR WRENCH 3MM	1	
504	875769	PROTECTIVE GLASSES	1	

OPTIONAL ACCESSORIES

ITEM NO.	CODE NO.	DESCRIPTION	NO. USED	REMARKS
601	325149	GREASE (MOLUB-ALLOY NO.777-1) 75G	1	