

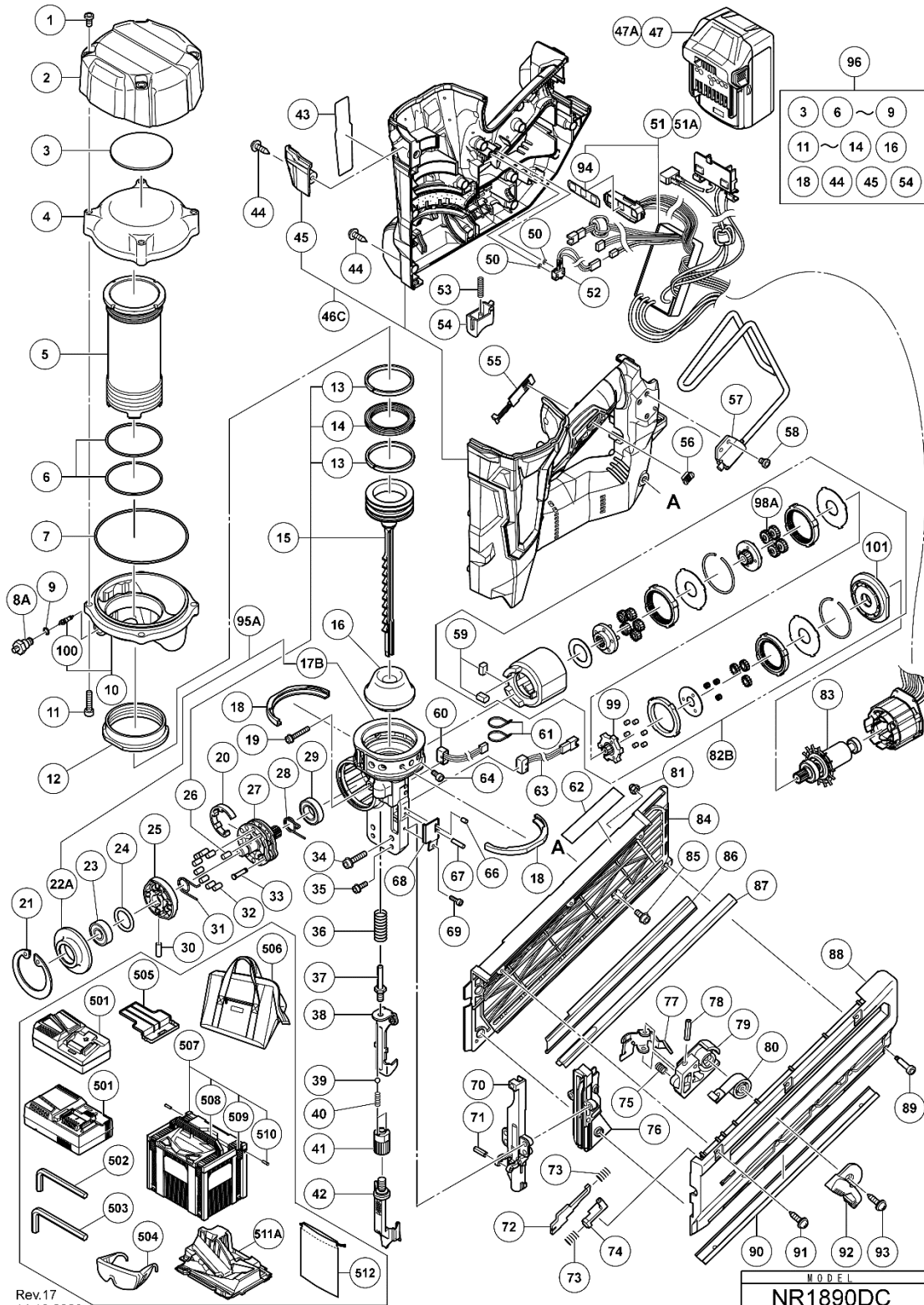
ELECTRIC TOOL PARTS LIST

CORDLESS STRIP NAILER

2023 • 06 • 01

Model NR 1890DCS

(E3)



Rev.17
14.10.2020

MODEL
NR1890DC

PARTS

NR1890DCS

| ITEM NO. | CODE NO. | DESCRIPTION | NO. USED | REMARKS |
|----------|----------|--|----------|-----------------------|
| 1 | 372298 | HEX. SOCKET HD. BOLT M6 | 4 | |
| 2 | 372296 | TOP COVER | 1 | |
| 3 | 371012 | RUBBER CUSHION (C) | 1 | |
| 4 | 372337 | CHAMBER COVER | 1 | |
| 5 | 372335 | CYLINDER | 1 | |
| 6 | 372336 | O-RING (I.D 55.5) | 2 | |
| 7 | 372334 | O-RING (I.D 94.5) | 1 | |
| 8A | 376085 | CHARGE CAP | 1 | |
| 9 | 872822 | O-RING (S-5) | 1 | |
| 10 | 372388 | CHAMBER BASE ASS'Y | 1 | INCLUD.100 |
| 11 | 372338 | NYLOCK BOLT M6 | 4 | |
| 12 | 372339 | SPECIAL NUT M58 | 1 | |
| 13 | 372320 | SLIDE RING | 2 | |
| 14 | 372319 | X-RING | 1 | |
| 15 | 372318 | PISTON ASS'Y | 1 | INCLUD.13.14.26 |
| 16A | 377103 | PISTON BUMPER | 1 | |
| 17B | 375366 | NOSE | 1 | |
| 18 | 372343 | RUBBER CUSHION (A) | 2 | |
| 19 | 372310 | NYLOCK BOLT (W/FLANGE) M4X25 | 1 | |
| 20 | 372330 | FELT (P) | 1 | |
| 21 | 372332 | RETAINING RING D52 | 1 | |
| 22A | 372989 | BEARING HOLDER | 1 | SINCE 2.2018 |
| 23 | 6000VV | BALL BEARING 6000VVCMP52L | 1 | |
| 24 | 372329 | O-RING (I.D 20.22) | 1 | |
| 25 | 372327 | POSITION DETECTOR | 1 | |
| 26 | 372326 | NEEDLE ROLLER D4.5 | 1 | |
| 27 | 372321 | PIN WHEEL | 1 | |
| 28 | 372323 | WHEEL SPRING (B) | 1 | |
| 29 | 6902VV | BALL BEARING 6902VV | 1 | |
| 30 | 372328 | NEEDLE ROLLER D3 | 1 | |
| 31 | 372322 | WHEEL SPRING (A) | 1 | |
| 32 | 372325 | NEEDLE ROLLER D4 | 8 | |
| 33 | 372324 | PIN (A) | 1 | |
| 34 | 372355 | NYLOCK BOLT (W/FLANGE) M5X22 | 2 | |
| 35 | 372311 | NYLOCK BOLT (W/FLANGE) M4X14 | 2 | |
| **36 | 372307 | PUSHING LEVER SPRING (B) | 1 | FOR USA.CAN |
| 37 | 372316 | SPECIAL BOLT M6 | 1 | |
| 38 | 372305 | PUSHING LEVER (B) | 1 | |
| 39 | 959148 | STEEL BALL D3.175 (10 PCS.) | 2 | |
| 40 | 372315 | ADJUSTER SPRING | 2 | |
| 41 | 372314 | ADJUSTER | 1 | |
| 42 | 372308 | PUSHING LEVER (A) | 1 | |
| 43 | | | 1 | |
| 44 | 301653 | TAPPING SCREW (W/FLANGE) D4X20 (BLACK) | 14 | |
| 45 | 372297 | HOUSING (C) | 1 | |
| **46C | 372987M | HOUSING ASS'Y | 1 | INCLUD.45 FOR USA.CAN |
| **47 | 339782 | BATTERY BSL1830C (USA.CAN) | 1 | INCLUD.505 |
| **47A | 371681M | BATTERY BSL1840M (USA.CAN) | 1 | INCLUD.505 |
| 50 | 371020 | O-RING (I.D 2.5) | 2 | |
| **51A | 376522 | WIRING ASS'Y | 1 | INCLUD.94 FOR USA.CAN |
| 52 | 371019 | SWITCH CABLE (A) | 1 | |
| 53 | 332000 | SPRING (T) | 1 | |
| 54 | 371021 | TRIGGER | 1 | |
| 55 | 331790 | LEVER (C) | 1 | |
| 56 | 326276 | LEVER (A) | 1 | |
| 57 | 372356 | HOOK | 1 | |
| 58 | 331109 | LOW HEAD HEX. SOCKET BOLT M4X8 | 3 | |
| 59 | 372342 | BUMPER (B) | 2 | |
| 60 | 372302 | SENSOR (C) | 1 | |
| 61 | 6696839 | WIRE BAND | 2 | |
| **62 | 371107 | CAUTION LABEL | 1 | FOR USA.CAN |
| 63 | 372301 | SENSOR (B) | 1 | INCLUD.38 |
| 64 | 372340 | HEX. SOCKET HD. BOLT M5 | 1 | |

