

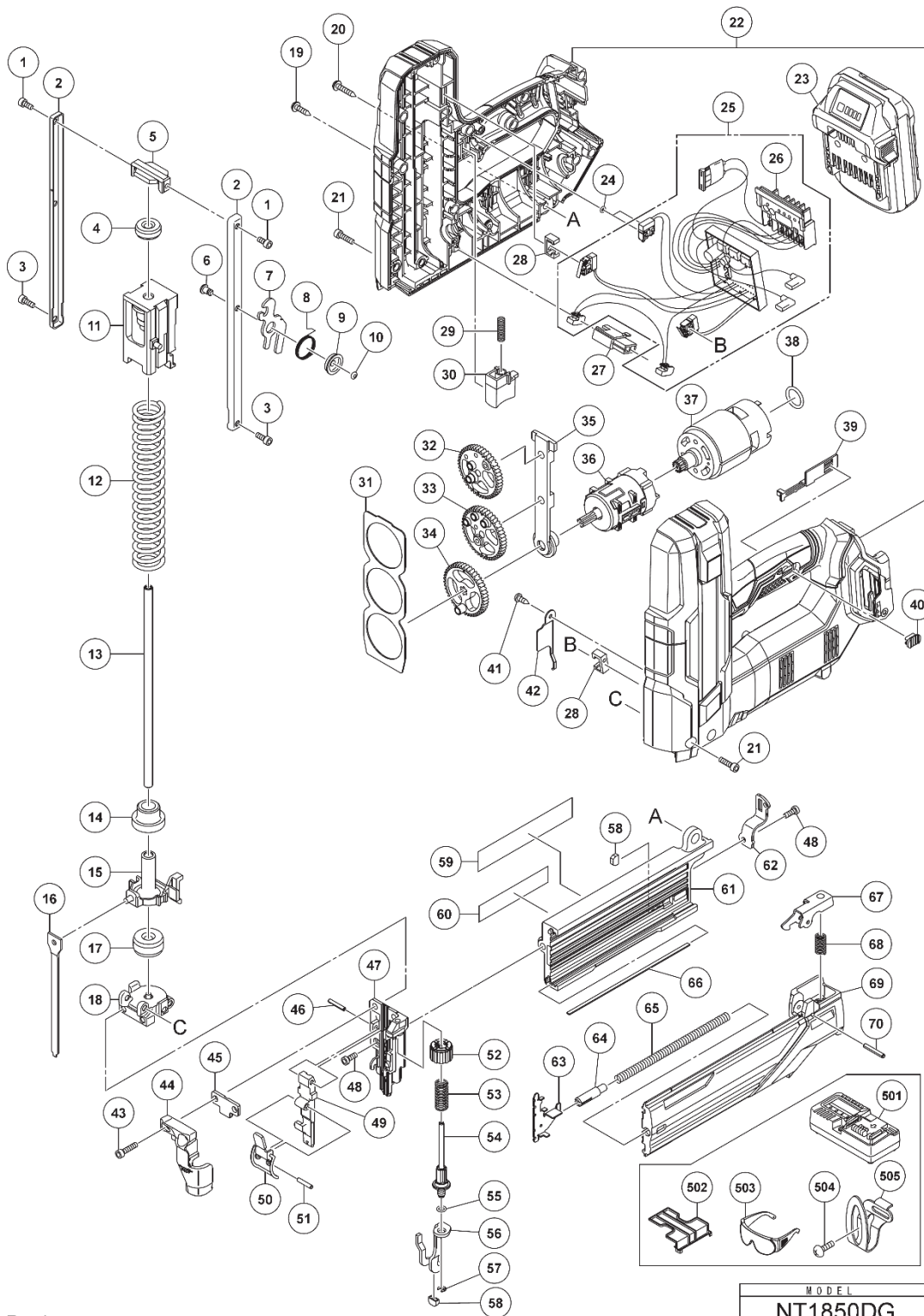
ELECTRIC TOOL PARTS LIST

CORDLESS BRAD NAILER

2023 • 11 • 16

Model NT 1850DG

(E1)



PARTS

NT1850DG

| ITEM NO. | CODE NO. | DESCRIPTION | NO. USED | REMARKS |
|----------|----------|--|----------|------------|
| 1 | 378209 | SEAL LOCK HEX. SOCKET HD. BOLT M5X8 | 2 | |
| 2 | 378208 | SLIDE GUIDE BAR | 2 | |
| 3 | 6696836 | HEX. SOCKET HD. BOLT M5X12 (PRECOAT) | 2 | |
| 4 | 373861 | PLUNGER DAMPER (A) | 1 | |
| 5 | 381248 | TOP HOLDER | 1 | |
| 6 | 373842 | LATCH SHAFT | 1 | |
| 7 | 378211 | LATCH | 1 | |
| 8 | 373855 | LATCH SPRING | 1 | |
| 9 | 378210 | LATCH SPACER (B) | 1 | |
| 10 | 880319 | SHAFT RING | 1 | |
| 11 | 381246 | WEIGHT | 1 | |
| 12 | 381247 | SPRING (A) | 1 | |
| 13 | 381431 | PLUNGER SHAFT | 1 | |
| 14 | 381249 | SPRING DAMPER | 1 | |
| 15 | 381245 | PLUNGER | 1 | |
| 16 | 381267 | DRIVER BLADE | 1 | |
| 17 | 378238 | PLUNGER DAMPER | 1 | |
| 18 | 378207 | BOTTOM HOLDER | 1 | |
| 19 | 313687 | TAPPING SCREW (W/FLANGE) D3X16 (BLACK) | 13 | |
| 20 | 328707 | TAPPING SCREW (W/FLANGE) D5X30 (BLACK) | 1 | |
| 21 | 379237 | HEX. SOCKET HD. BOLT M5X14 (PRECOAT) | 4 | |
| 22 | 381283M | HOUSING (A).(B) SET | 1 | |
| 23 | 377797M | BATTERY BSL 1820M (USA.CAN) | 1 | INCLUD.502 |
| 24 | 371020 | O-RING (I.D 2.5) | 2 | |
| 25 | 381244 | CONTROLLER ASS'Y | 1 | INCLUD.26 |
| 26 | 379284 | BATTERY TERMINAL | 1 | |
| 27 | 381262 | LED PIECE | 1 | |
| 28 | 373858 | SWITCH MOUNT | 2 | |
| 29 | 332000 | SPRING (T) | 1 | |
| 30 | 331789 | TRIGGER | 1 | |
| 31 | 378232 | GEAR COVER PLATE | 1 | |
| 32 | 381253 | THIRD GEAR | 1 | |
| 33 | 381252 | SECOND GEAR | 1 | |
| 34 | 381251 | FIRST GEAR | 1 | |
| 35 | 381269 | GEAR HOLDER | 1 | |
| 36 | 381250 | GEAR BOX | 1 | |
| 37 | 381243 | MOTOR | 1 | |
| 38 | 311814 | O-RING (P-15) | 1 | |
| 39 | 331790 | LEVER (C) | 1 | |
| 40 | 326276 | LEVER (A) | 1 | |
| 41 | 334333 | TAPPING SCREW D3X12 (BLACK) | 1 | |
| 42 | 381261 | SWITCH COVER | 1 | |
| 43 | 949757 | HEX. SOCKET HD. BOLT M5X20 (10 PCS.) | 2 | |
| 44 | 381432 | PUSHING LEVER GUARD | 1 | |
| 45 | 381255 | GUIDE PLATE (A) | 1 | |
| 46 | 949518 | ROLL PIN D3X18 (10 PCS.) | 1 | |
| 47 | 381265 | BLADE GUIDE | 1 | |
| 48 | 880413 | NYLOCK HEX. SOCKET HD. BOLT M4X10 | 2 | |
| 49 | 381266 | GUIDE PLATE | 1 | |
| 50 | 381258 | LOCK LEVER | 1 | |
| 51 | 949496 | ROLL PIN D3X16 (10 PCS.) | 1 | |
| 52 | 381260 | ADJUSTER | 1 | |
| 53 | 381256 | PUSHING LEVER SPRING | 1 | |
| 54 | 381259 | PUSHING LEVER (B) | 1 | |
| 55 | 872822 | O-RING (S-5) | 1 | |
| 56 | 381257 | PUSHING LEVER (A) | 1 | |
| 57 | 872971 | RETAINING RING (E-TYPE) FOR D3 SHAFT | 1 | |
| 58 | 378092 | NOSE CAP | 2 | |
| 59 | 371107 | CAUTION LABEL | 1 | |
| 60 | | NAME PLATE | 1 | |
| 61 | 381264 | MAGAZINE (A) (NT) | 1 | |
| 62 | 381263 | PLATE | 1 | |
| 63 | 381268 | NAIL FEEDER | 1 | |
| 64 | 885899 | FEEDER PIECE | 1 | |

