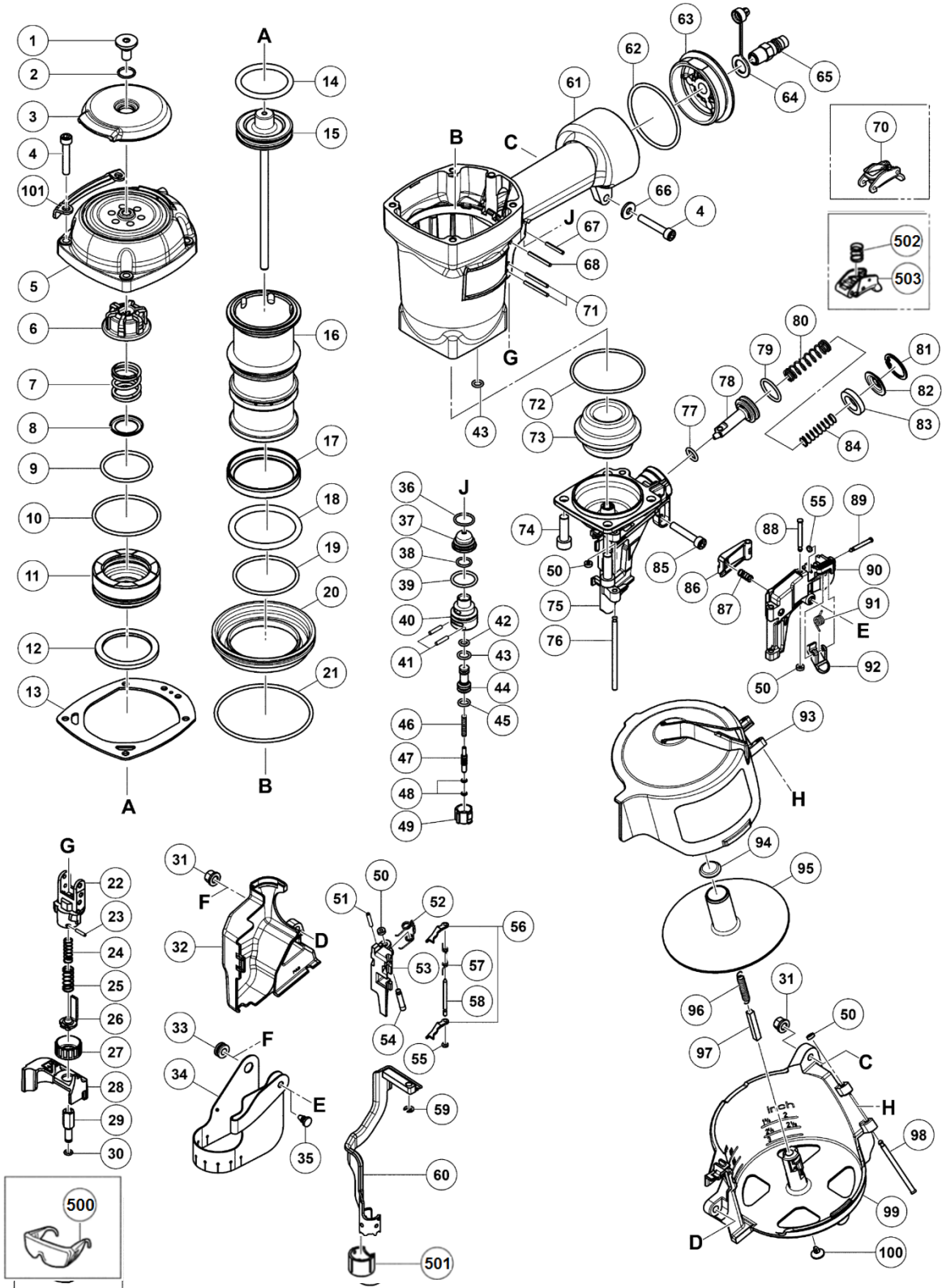


PNEUMATIC TOOL PARTS LIST

■ COIL NAILER
Model NV 75AN

2024 • 12 • 09

(E3)



PARTS

NV75AN

ITEM NO.	CODE NO.	DESCRIPTION	NO. USED	REMARKS
1	888409	DEFLECTOR BLOT(3M2353)	1	
2	888410	O-RING	1	
3	888411	TOP COVER	1	
4	888413	HEX.SOC.HD.BOLT	5	
5	888414	EXHAUST COVER	1	
6	888415	EXHAUST VALVE RUBBER	1	
7	888416	HEAD VALVE SPRING	1	
8	888417	WASHER	1	
9	888419	O-RING	1	
10	888420	O-RING	1	
11	888430	HEAD VALVE	1	
12	888418	COLLA	1	
13	888421	GASKET	1	
14	888422	PISTON O - RING	1	
15	888423	PISTON	1	
16	888424	CYLINDER	1	
17	888431	WASHER	1	
18	888425	O-RING	1	
19	888426	O-RING	1	
20	888427	CYLINDER PLATE	1	
21	888428	O-RING	1	
22	888483	PUSH LEVER GUIDE	1	
23	888485	SPRING PIN	1	
24	888484	SPRING	1	
25	888512	SPRING	1	
26	888486	PUSH LEVER(C)	1	
27	888487	ADJUSTER	1	
28	888488	PUSH LEVER COVER(B)	1	
29	888489	PUSH LVER(B)	1	
30	888490	O-RING	1	
31	888507	BOLT CAP	2	
32	888506	PUSH LEVER COVER(A)	1	
33	888510	WASHER	1	
34	888509	COVER	1	
35	888511	PLUG	1	
36	888433	O - RING	1	
37	888444	COVER-PLUNGER	1	
38	888445	O-RING	1	
39	888435	O-RING	1	
40	888434	VALVE BUSH(B)	1	
41	888443	PIN	2	
42	888436	O-RING	1	
43	888446	O-RING	2	
44	888437	VALVE PISTON	1	
45	888438	O-RING	1	
46	888439	SPRING	1	
47	888441	PLUNGER	1	
48	888440	O-RING	2	
49	888442	VALVE BUSH(A)	1	
50	888475	PU RETAINER	3	
51	888505	SPIRAL PIN	1	
52	888504	FEED SPRING	1	
53	888502	FEEDER	1	
54	888503	PIN	1	
55	888476	URETHANE RETAINER	2	
56	888499	NAIL STOPPER	2	
57	888500	SPRING	1	
58	888501	PIN	1	
59	888482	E - RING	1	
*60	888480	PUSH LEVER (A), AGGRESSIVE	1	FOR "AN" & (S)

Parts

NV75AN

ITEM NO.	CODE NO.	DESCRIPTION	NO. USED	REMARKS
*60		PUSH LEVER (A), SMOOTH	1	FOR (S1) & (S2)
61	888453	BODY	1	
62	888457	O-RING	1	
63	888454	CAP	1	
64	888455	DUST CAP	1	
65	888456	AIR PLUG	1	
66	888508	FLAT WASHER	1	
67	888448	SPIRAL PIN	1	
68	888447	SPIRAL PIN	1	
70	888450	TRIGGER	1	
71	888449	SPIRAL PIN	2	
72	888459	O-RING	1	
73	888429	PISTON BUMPER	1	
74	888461	HEX.SOC.HD.BOLT	4	
75	888460	NOSE	1	
76	888479	NAIL GUIDE SHAFT	1	
77	888462	O-RING	1	
78	888463	FEED PISTON	1	
79	888464	O-RING	1	
80	888465	FEED SPRING(A)	1	
81	888469	C - RING	1	
82	888468	FEED PISTON COVER	1	
83	888467	BUMPER	1	
84	888466	FEED SPRING(B)	1	
85	888458	HEX.SOC.HD.BOLT	1	
86	888478	NAIL STOPPER	1	
87	888477	SPRING	1	
88	888474	PIN	1	
89	888473	PIN	1	
90	888472	NAIL GUIDE	1	
91	888471	KNOB SPRING	1	
92	888470	KNOB	1	
93	888498	MAGAZINE COVER	1	
94	888497	SPRING BASE A	1	
95	888496	NAIL HOLDER	1	
96	888495	PULL SPRING	1	
97	888494	SPACER	1	
98	888493	MAGAZINE SHAFT PIN	1	
99	888491	MAGAZINE	1	
100	888492	SPRING BASE	1	
101	888432	BODY GUARD	2	
102	888412	HEX.SOC.HD.SCREW	1	

STANDARD ACCESSORIES

NV75AN

ITEM NO.	CODE NO.	DESCRIPTION	NO. USED	REMARKS
500	875769	SAFETY GLASSES	1	
501	888782	NO-MAR NOSE CAP	1	
502	888452	SPRING	1	NOT ENCLUDED IN (S) & (S2)
503	888451	TRIGGER, SEQUENTIAL	1	NOT ENCLUDED IN (S) & (S2)

OPTIONAL ACCESSORIES

ITEM NO.	CODE NO.	DESCRIPTION	NO. USED	REMARKS
601	888452	SPRING	1	(S) & (S2) MODELS
602	888451	TRIGGER, SEQUENTIAL	1	(S) & (S2) MODELS