

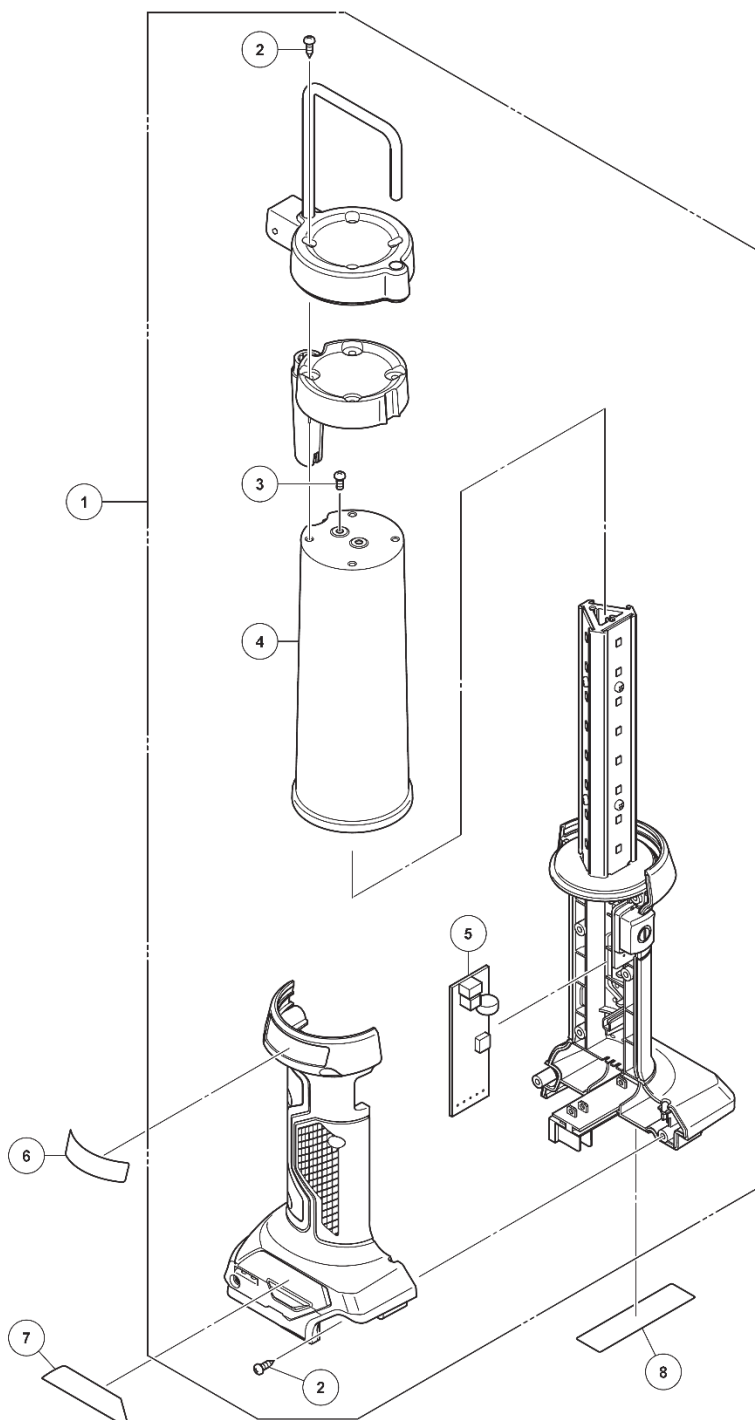
# ELECTRIC TOOL PARTS LIST

■ CORDLESS LANTERN

2022 • 08 • 23

Model UB 18DF

(E1)





**STANDARD ACCESSORIES**

UB18DF

ITEM NO.	CODE NO.	DESCRIPTION	NO. USED	REMARKS

**OPTIONAL ACCESSORIES**

ITEM NO.	CODE NO.	DESCRIPTION	NO. USED	REMARKS