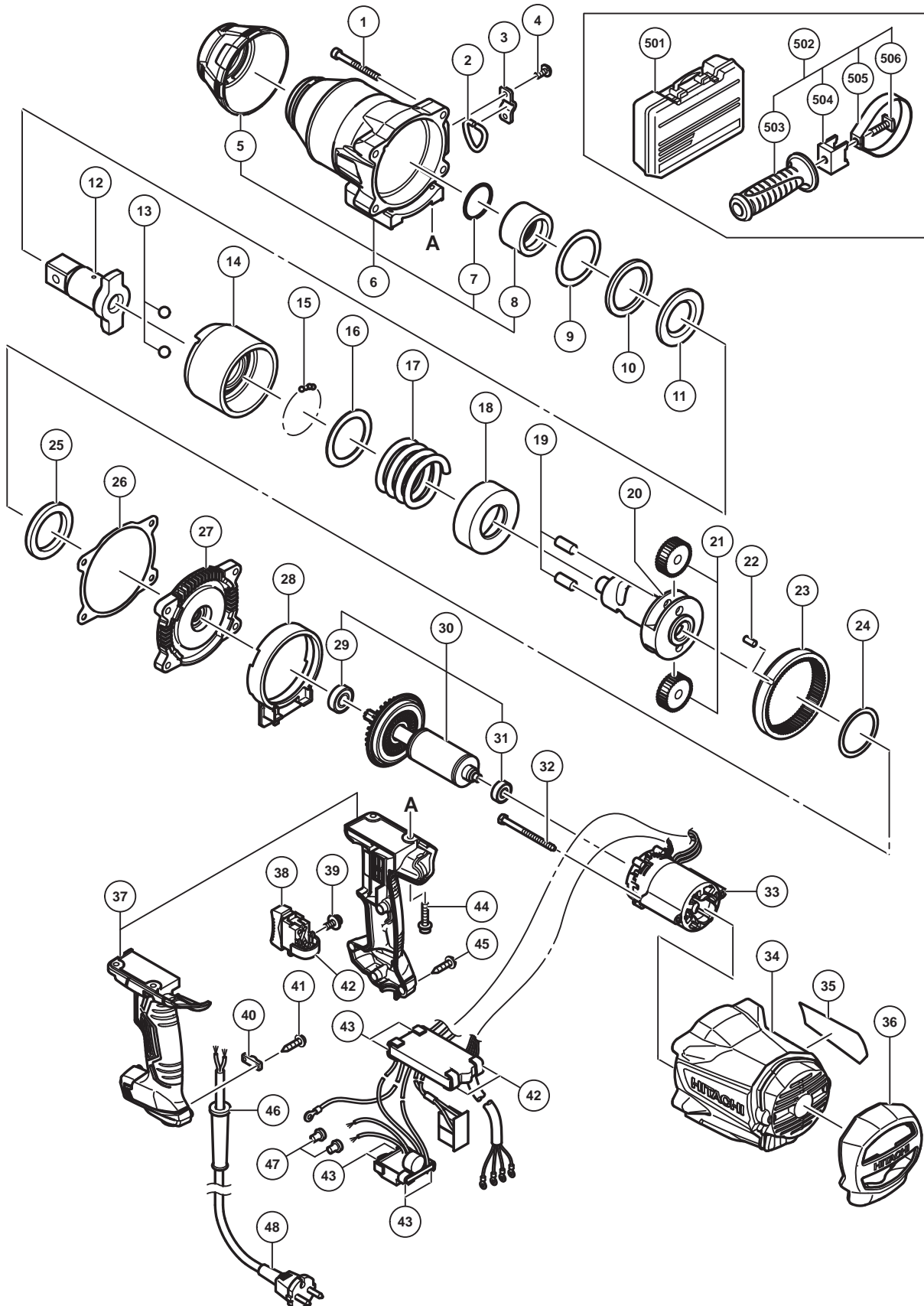


## ELECTRIC TOOL PARTS LIST

■ **IMPACT WRENCH**  
**Model WR 25SE**

**2015-1-20**  
**(E1)**



**PARTS**

WR 25SE

| ITEM NO. | CODE NO. | DESCRIPTION                              | NO. USED | REMARKS       |
|----------|----------|--|----------|---------------|
| 1        | 986491   | SEAL LOCK HEX. SOCKET HD. BOLT M6 X 50   | 4        |               |
| 2        | 932916   | HANGER (B)                               | 1        |               |
| 3        | 932915   | HANGER (A)                               | 1        |               |
| 4        | 993126   | SEAL LOCK SCREW (W/SP. WASHER) M5 X 12   | 2        |               |
| 5        | 337836   | BUMPER (C)                               | 1        |               |
| 6        | 337835   | HAMMER CASE (C) ASS'Y                    | 1        | INLCLUD.5,7,8 |
| 7        | 319732   | O-RING (P-35)                            | 1        |               |
| 8        | 337837   | METAL (B)                                | 1        |               |
| 9        | 338351   | WASHER (C)                               | 1        |               |
| 10       | 338350   | DAMPER (C)                               | 1        |               |
| 11       | 337834   | WASHER (B)                               | 1        |               |
| 12       | 337820   | ANVIL (C)                                | 1        |               |
| 13       | 337838   | STEEL BALL D10.3                         | 2        |               |
| 14       | 337832   | HAMMER (C)                               | 1        |               |
| 15       | 959149   | STEEL BALL D4.76 (10 PCS.)               | 35       |               |
| 16       | 337831   | HAMMER WASHER (C)                        | 1        |               |
| 17       | 337829   | HAMMER SPRING (C)                        | 1        |               |
| 18       | 337828   | SPRING SHEET (C)                         | 1        |               |
| 19       | 337827   | NEEDLE ROLLER                            | 2        |               |
| 20       | 337830   | SPINDLE (C)                              | 1        |               |
| 21       | 338352   | IDLE GEAR SET (2 PCS.)                   | 2        |               |
| 22       | 991449   | NEEDLE ROLLER                            | 2        |               |
| 23       | 337839   | RING GEAR (C)                            | 1        |               |
| 24       | 337833   | WASHER (A)                               | 1        |               |
| 25       | 337825   | METAL (A)                                | 1        |               |
| 26       | 337821   | PACKING (C)                              | 1        |               |
| 27       | 337824   | INNER COVER (C)                          | 1        |               |
| 28       | 337823   | FAN GUIDE (C)                            | 1        |               |
| 29       | 6001DD   | BALL BEARING 6001DDCMPS2L                | 1        |               |
| 30       | 360989   | ROTOR ASS'Y (C)                          | 1        | INCLUD.29,31  |
| 31       | 333945   | BALL BEARING 608VV                       | 1        |               |
| 32       | 961400   | HEX. HD. TAPPING SCREW D5 X 70           | 2        |               |
| * 33     | 340895C  | STATOR CONTROLLER (C) SET 110V           | 1        |               |
| * 33     | 340895D  | STATOR CONTROLLER (C) SET 120V-127V      | 1        |               |
| * 33     | 340895E  | STATOR CONTROLLER (C) SET 220V-230V      | 1        |               |
| * 33     | 340895F  | STATOR CONTROLLER (C) SET 240V           | 1        |               |
| 34       | 338349   | HOUSING (C)                              | 1        |               |
| 35       |          | NAME PLATE                               | 1        |               |
| 36       | 337822   | TAIL BUMPER (C)                          | 1        |               |
| 37       | 338505   | HANDLE (A).(B) SET                       | 1        |               |
| 38       | 337202   | SWITCH                                   | 1        |               |
| 39       | 980060   | MACHINE SCREW (W/WASHER) M3.5 X 5        | 4        |               |
| 40       | 937631   | CORD CLIP                                | 1        |               |
| 41       | 984750   | TAPPING SCREW (W/FLANGE) D4 X 16         | 2        |               |
| 42       | 338353   | CUSHION RUBBER 30 X 10 X 3               | 3        |               |
| 43       | 338354   | CUSHION RUBBER 45 X 10 X 3               | 6        |               |
| 44       | 316107   | HEX. SOCKET HD. BOLT (W/WASHERS) M5 X 20 | 4        |               |
| 45       | 301653   | TAPPING SCREW (W/FLANGE) D4 X 20 (BLACK) | 4        |               |
| * 46     | 953327   | CORD ARMOR D8.8                          | 1        |               |
| * 46     | 938051   | CORD ARMOR D10.1                         | 1        |               |



