

PRODUCT NAME

18 V Cordless Work Light

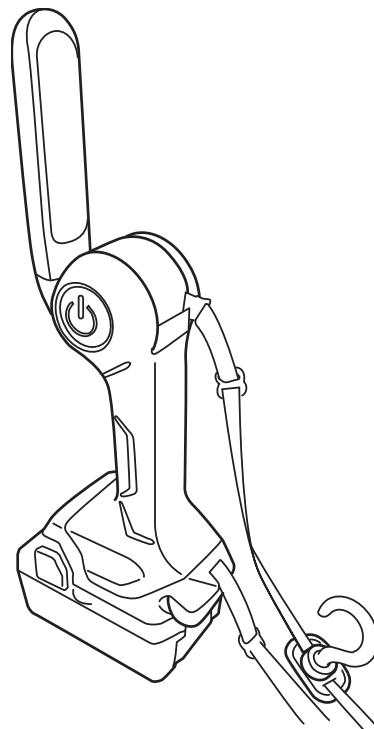
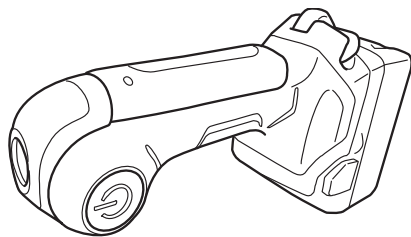
Model UB 18DJL

CONTENTS

Page

SPARE PARTS 1

1. Spare parts 1



SPARE PARTS

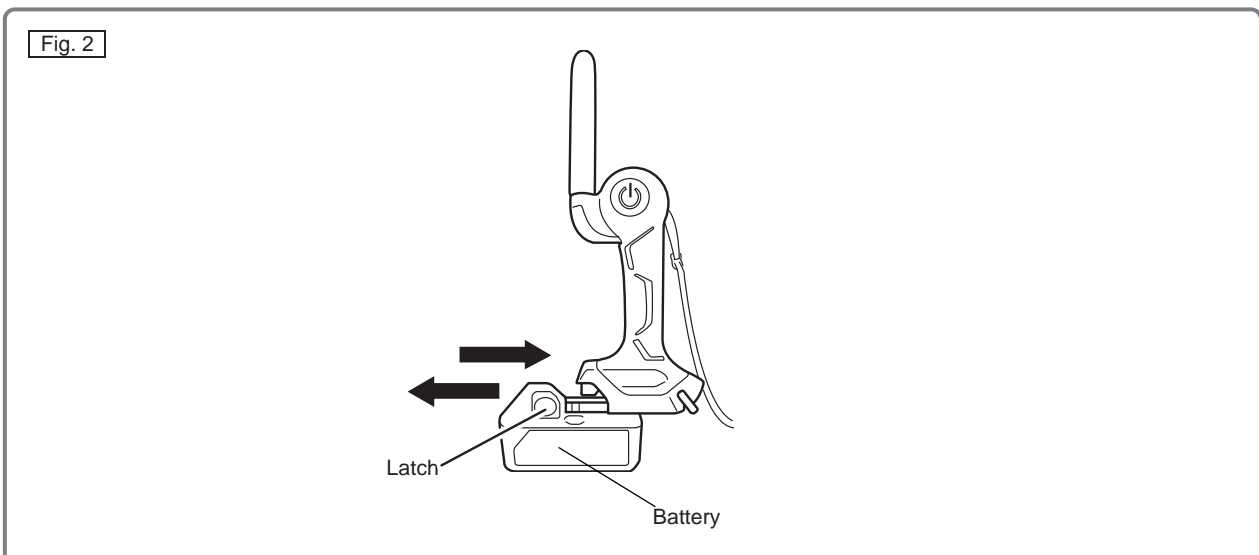
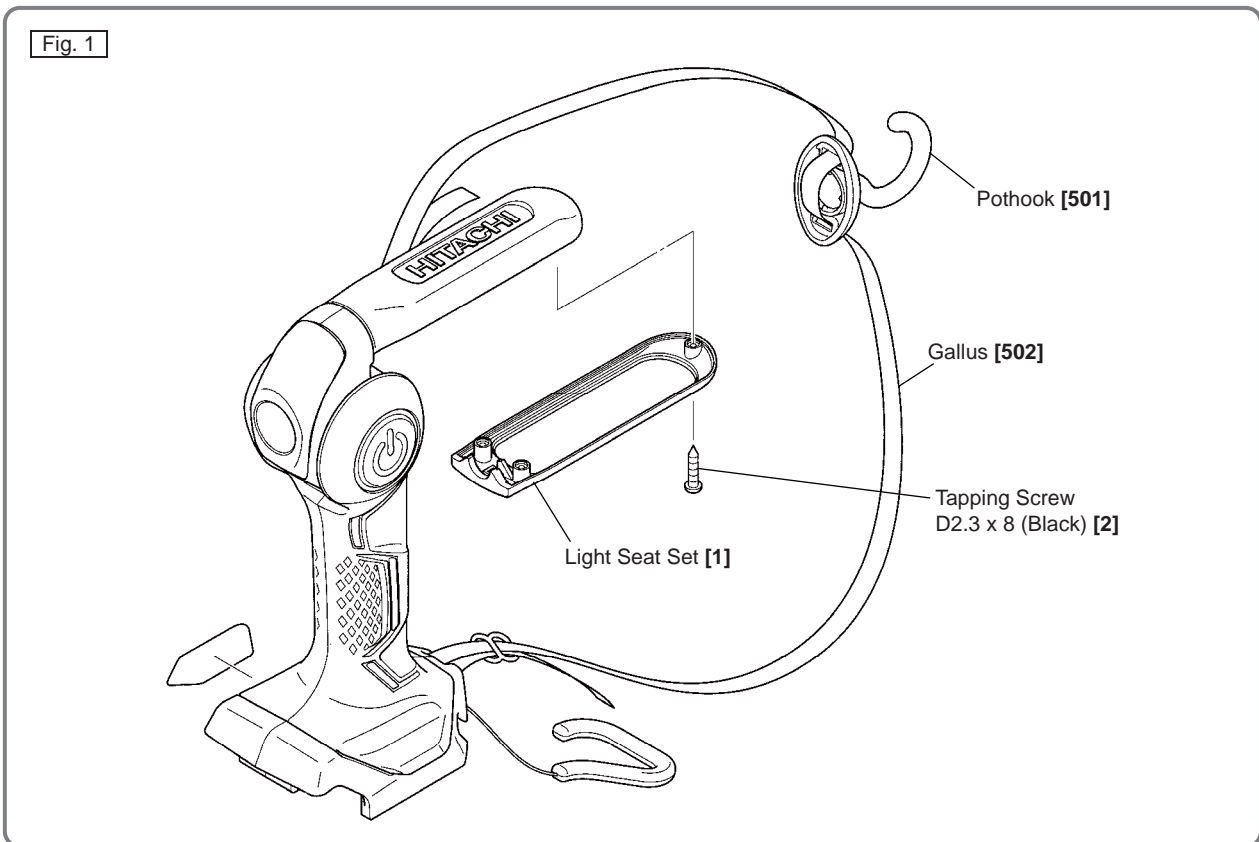
1. Spare parts

[Bold] numbers in the description below correspond to the item numbers in the Parts List and exploded assembly diagram for the Model UB 18DJL.

The spare parts for the Model UB 18DJL are as follows.

- (1) Light Seat Set **[1]**
- (2) Tapping Screw D2.3 x 8 (Black) **[2]**
- (3) Pothook **[501]** (Strap hook)
- (4) Gallus **[502]** (Strap)

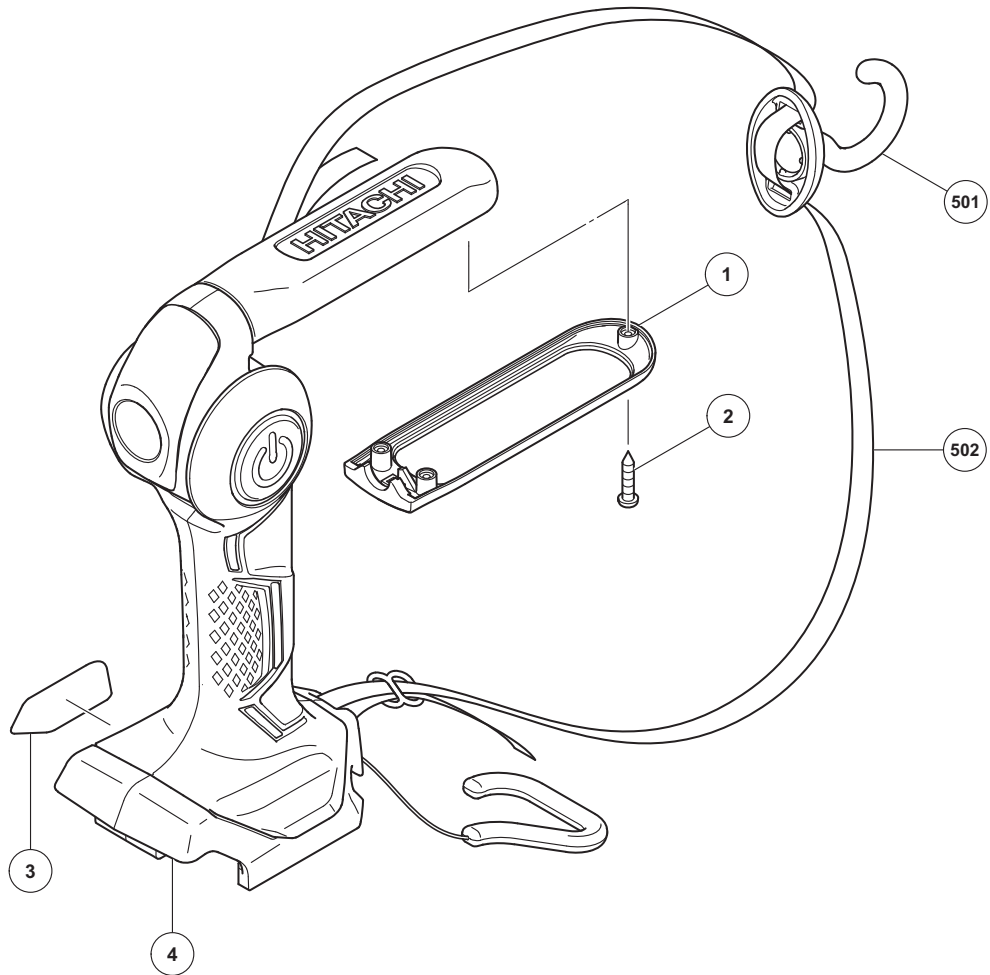
CAUTION: Turn the switch off and remove the battery before replacement as shown in Fig. 2.



ELECTRIC TOOL PARTS LIST

■ CORDLESS WORK LIGHT
Model UB 18DJL

2014·2·20
(E1)



PARTS

UB 18DJL

ITEM NO.	CODE NO.	DESCRIPTION	NO. USED	REMARKS
1	336569	LIGHT SEAT SET	1	
2	336522	TAPPING SCREW D2.3 X 8 (BLACK)	3	
3		NAME PLATE	1	
4		MAIN BODY	1	

STANDARD ACCESSORIES

ITEM NO.	CODE NO.	DESCRIPTION	NO. USED	REMARKS
501	336520	POTHOOK	1	
502	336558	GALLUS	1	